

**PLEASE CHECK WWW.MOLEX.COM FOR LATEST PART INFORMATION**

**Part Number:** [1300980031](#)  
**Status:** **Active**  
**Overview:** [brad wire mesh grips](#)  
**Description:** MAX-LOC® Strain Relief Cord-Sealing Grip, 3/8" NPT, Straight Female, Cable Diameter 6.35-7.93mm (.250-.312")

**Documents:**

[Drawing \(PDF\)](#) [RoHS Certificate of Compliance \(PDF\)](#)

**Agency Certification**

CSA LR32159  
 UL E76954

**General**

Product Family Cable Grips  
 Series [130098](#)  
 Eye Type N/A  
 Insulated No  
 NEMA Rating NEMA 3R  
 O-Ring No  
 Overview [brad wire mesh grips](#)  
 Product Name MAX-LOC®  
 Type Strain Relief Grips  
 Use With [1300990142](#) 3/8" NPT MAX-LOC® Lock Nut  
 Woodhead Yes

**Physical**

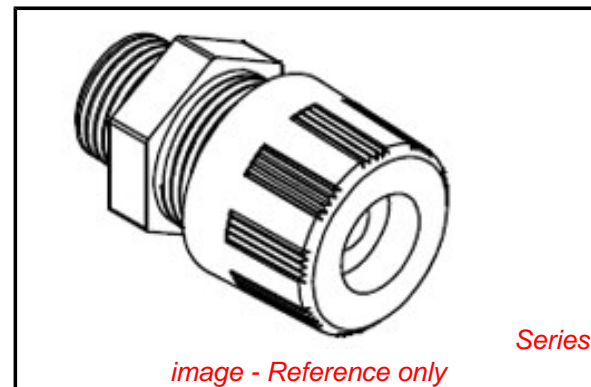
Approximate Break Strength N/A  
 Bale Length N/A  
 Body Style Straight  
 Cable Diameter 6.35-7.93mm (.250-.312")  
 Color - Grommet Black  
 Gender Female  
 Material - Body Nylon  
 Material - Grip N/A  
 Mesh Length N/A  
 Number of Holes 2  
 Strain Relief Force 35 lbs  
 Thread Size 3/8" NPT

**Material Info**

Old Part Number 5504

**Reference - Drawing Numbers**

Sales Drawing SD-130098-003



**EU RoHS**

**ELV and RoHS  
 Compliant  
 REACH SVHC  
 Not Reviewed  
 Halogen-Free  
 Status  
 Not Reviewed**

**China RoHS**

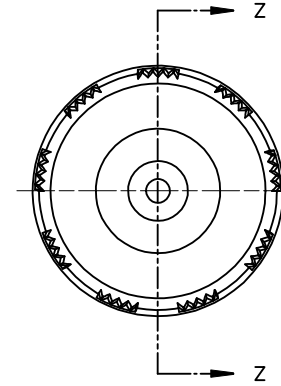
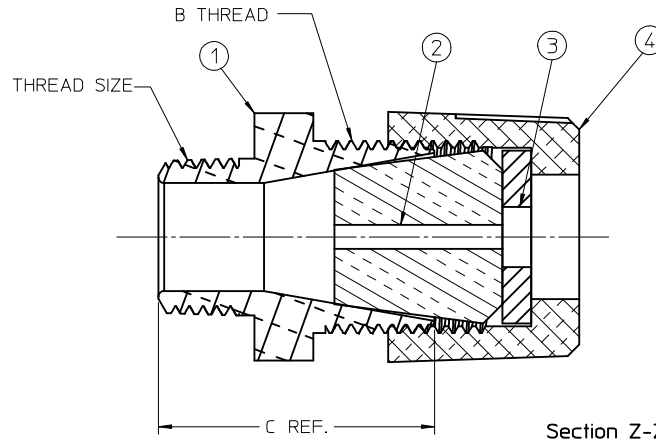
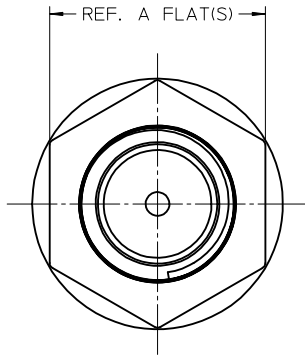


**Need more information on product  
 environmental compliance?**

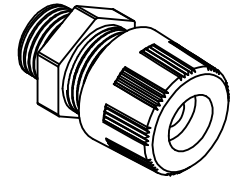
Email [productcompliance@molex.com](mailto:productcompliance@molex.com)  
 For a multiple part number RoHS Certificate of  
 Compliance, [click here](#)

Please visit the [Contact Us](#) section for any  
 non-product compliance questions.

**Search Parts in this Series**  
[130098Series](#)



VIEW SCALE: 1:1



| MATERIAL NO. | OLD PART NO. | THREAD SIZE | CABLE DIA. RANGE        | A           | B        | C           | ITEM 1 COLOR | ITEM 2 MATERIAL | ITEM 2 COLOR | ITEM 3 MATERIAL | ITEM 4 MATERIAL | ITEM 4 COLOR |
|--------------|--------------|-------------|-------------------------|-------------|----------|-------------|--------------|-----------------|--------------|-----------------|-----------------|--------------|
| 1300980024   | 5398         | 1/4" NPT    | .075-.135 / 1.91-3.43   | .69 / 17.5  | 1/2-18   | .92 / 23.4  | GRAY         | NITRILE         | BLACK        | NYLON           | NYLON           | GRAY         |
| 1300980025   | 5400         |             | .135-.200 / 3.43-5.08   |             |          |             |              |                 | GRAY         |                 |                 |              |
| 1300980026   | 5402         |             | .200-.265 / 5.08-6.73   |             |          |             |              |                 | GREEN        |                 |                 |              |
| 1300980027   | 5500         | 3/8" NPT    | .125-.187 / 3.18-4.75   | 1.00 / 25.4 | 7/8-14   | 1.25 / 31.8 | GRAY         | NITRILE         | YELLOW       | HDPE            | NYLON           | GRAY         |
| 1300980029   | 5502         |             | .187-.250 / 4.75-6.35   |             |          |             |              |                 | ORANGE       |                 |                 |              |
| 1300980031   | 5504         |             | .250-.312 / 6.35-7.92   |             |          |             |              |                 | BLACK        |                 |                 |              |
| 1300980032   | 5506         |             | .312-.375 / 7.92-9.53   |             |          |             |              |                 | GRAY         |                 |                 |              |
| 1300980034   | 5508         |             | .375-.437 / 9.53-11.10  |             |          |             |              |                 | GREEN        |                 |                 |              |
| 1300980036   | 5518         | 1/2" NPT    | .062-.125 / 1.57-3.18   | 1.13 / 28.7 | 1"-14    | 1.44 / 36.6 | GRAY         | NITRILE         | BLACK        | HDPE            | NYLON           | GRAY         |
| 1300980041   | 5520         |             | .125-.187 / 3.18-4.75   |             |          |             |              |                 | YELLOW       |                 |                 |              |
| 1300980046   | 5522         |             | .187-.250 / 4.75-6.35   |             |          |             |              |                 | ORANGE       |                 |                 |              |
| 1300980052   | 5524         |             | .250-.312 / 6.35-7.92   |             |          |             |              |                 | BLACK        |                 |                 |              |
| 1300980061   | 5526         |             | .312-.375 / 7.92-9.53   |             |          |             |              |                 | GRAY         |                 |                 |              |
| 1300980069   | 5528         |             | .375-.437 / 9.53-11.10  |             |          |             |              |                 | GREEN        |                 |                 |              |
| 1300980076   | 5530         |             | .437-.500 / 11.10-12.70 |             |          |             |              |                 | ORANGE       |                 |                 |              |
| 1300980082   | 5532         |             | .500-.562 / 12.70-14.27 |             |          |             |              |                 | BLACK        |                 |                 |              |
| 1300980235   | 5620         | 3/4" NPT    | .187-.250 / 4.75-6.35   | 1.38 / 35.1 | 1 1/4-14 | 1.69 / 42.9 | GRAY         | NITRILE         | ORANGE       | HDPE            | NYLON           | GRAY         |
| 1300980236   | 5622         |             | .250-.375 / 6.35-9.53   |             |          |             |              |                 | GRAY         |                 |                 |              |
| 1300980225   | 5624         |             | .375-.437 / 9.53-11.10  |             |          |             |              |                 | GREEN        |                 |                 |              |
| 1300980096   | 5536         |             | .437-.562 / 11.10-14.27 |             |          |             |              |                 | BLACK        |                 |                 |              |
| 1300980103   | 5538         |             | .500-.625 / 12.70-15.87 |             |          |             |              |                 | GRAY         |                 |                 |              |
| 1300980112   | 5540         |             | .562-.687 / 14.27-17.45 |             |          |             |              |                 | GREEN        |                 |                 |              |
| 1300980118   | 5542         |             | .625-.750 / 15.87-19.05 |             |          |             |              |                 | ORANGE       |                 |                 |              |

NOTES:

1. MATERIAL: SEE TABLE
2. FINISHES: SEE TABLE
3. NEMA RATING: NEMA 3R
4. RoHS COMPLIANT: YES

|      |      |                    |           |                 |
|------|------|--------------------|-----------|-----------------|
| 4    | 1    | COMPRESSION NUT    | SEE CHART | SEE CHART       |
| 3    | 1    | COMPRESSION RING   | SEE CHART | NATURAL (WHITE) |
| 2    | 1    | GROMMET            | SEE CHART | SEE CHART       |
| 1    | 1    | STRAIGHT MALE BODY | NYLON     | SEE CHART       |
| ITEM | QTY. | DESCRIPTION        | MATERIAL  | FINISH          |

RELEASED  
EC NO: MNAZ009-0534  
DRWRSTONE 2009/03/11  
CHKDBB WOODMAN  
APPR: JF MURPHY 2009/04/17

DESCRIPTION

QUALITY SYMBOLS  
▽=0  
▽=0

GENERAL TOLERANCES (UNLESS SPECIFIED)

|          | mm     | INCH    |
|----------|--------|---------|
| 4 PLACES | ± .005 | ± .0005 |
| 3 PLACES | ± .005 | ± .0005 |
| 2 PLACES | ± .010 | ± .0010 |
| 1 PLACE  | ± 0.3  | ± .0125 |

ANGULAR ±1/2°

DRAFT WHERE APPLICABLE MUST REMAIN WITHIN DIMENSIONS

DIMENSION STYLE  
IN/MM

DRAWN BY DATE  
R. STONE 2009/02/23

CHECKED BY DATE  
B. WOODMAN 2009/02/27

APPROVED BY DATE  
J. MURPHY 2009/03/03

MATERIAL NO.  
SEE CHART

SIZE  
C

SCALE 2:1

DESIGN UNITS INCH

THIRD ANGLE PROJECTION

TITLE  
MAX-LOC STRAIN RELIEF  
CORD GRIP, STRAIGHT MALE  
NO O-RING

MOLEX INCORPORATED

DOCUMENT NO. SD-130098-003

SHEET NO. 1 OF 1

THIS DRAWING CONTAINS INFORMATION THAT IS PROPRIETARY TO MOLEX INCORPORATED AND SHOULD NOT BE USED WITHOUT WRITTEN PERMISSION