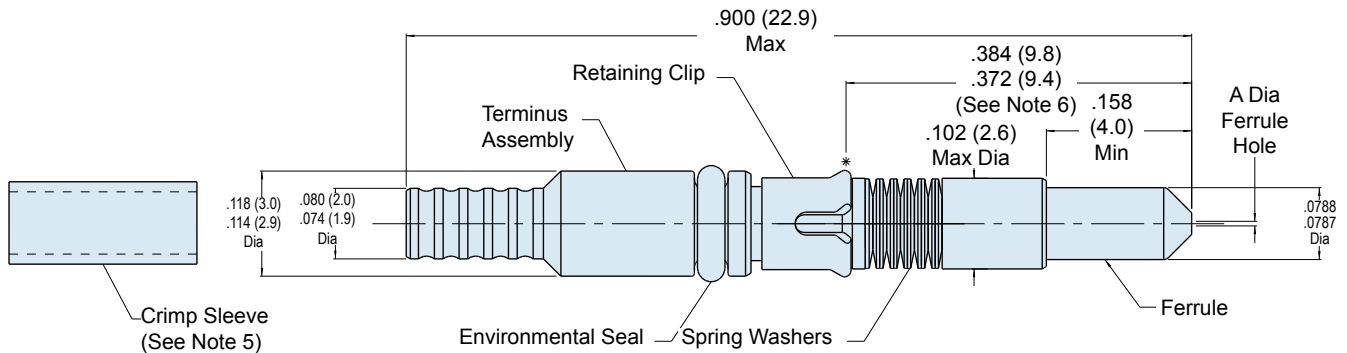
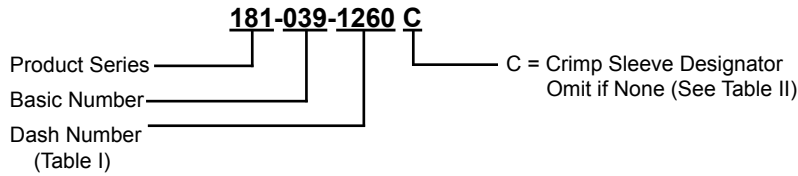


181-039 M29504/14 Style Front Release Pin Terminus Size 16



Assembly Dash Number	A Dia (Microns)
1250	126.0 125.0
1255	126.5 125.5
1260	127.0 126.0
1270	128.0 127.0
1420	143.0 142.0

Consult Factory for Additional Sizes

Designator	Cable Diameter (MIL-Spec)	Part Number
C	2.0-2.4 mm	265-008

Part Number	Accessory
182-012	Crimp Tool
182-013	Insertion Tool, Straight
182-014	Insertion Tool, 90°
182-015	Removal Tool
182-017	Hand Polishing Tool

APPLICATION NOTES

- Assembly packaged in plastic bag and tag identified with manufacturer's name and part number.
- Material/ Finish:
Ferrule: Zirconia Ceramic/ N.A.
Terminus Assembly: Stainless Steel/ Passivate
Retaining Clip, Spring Washers: Spring Alloy / N.A.
Seal: Fluorosilicone
Crimp Sleeve: Brass Alloy/Nickel
- Crimp Sleeve may be ordered separately (Table II).
- Metric dimensions (mm) are in parentheses
- Dummy Terminus: Part Number 181-051
- Dimension to be measured when installed into insert equivalent fixture per MIL-PRF-29504/14