

PLEASE CHECK WWW.MOLEX.COM FOR LATEST PART INFORMATION

Part Number: [0365110301](#)
Status: **Active**
Overview: [din_41612](#)
Description: 2.54mm (.100") Pitch DIN 41612 Header, Style R, Through Hole, Vertical, 0.05µm (2µ") Gold (Au) Plating, Tail Length 4.50mm (.177"), 64 Circuits,Lead free

Documents:

[Drawing \(PDF\)](#) [RoHS Certificate of Compliance \(PDF\)](#)
[Product Specification PS-36511-001 \(PDF\)](#)

General

Product Family	Backplane Connectors
Series	36511
Application	Backplane
Comments	No Mounting Clip
Component Type	PCB Header
Overview	din_41612
Product Name	IEC 603-2/DIN 41612
Style	R

Physical

Circuits (Loaded)	64
Circuits (maximum)	64
Circuits Detail	1,2,3,...32; a+c
Color - Resin	Gray
Durability (mating cycles max)	Contact Molex
First Mate / Last Break	No
Guide to Mating Part	No
Keying to Mating Part	None
Material - Metal	Brass
Material - Plating Mating	Gold
Material - Plating Termination	Tin
Material - Resin	Polyester
Number of Columns	32
Number of Pairs	Open Pin Field
Number of Rows	2
Orientation	Vertical
PC Tail Length (in)	0.177 In
PC Tail Length (mm)	4.50 mm
PCB Locator	No
PCB Retention	Yes
PCB Thickness Recommended (in)	0.062 In, 0.125 In
PCB Thickness Recommended (mm)	1.60 mm, 3.20 mm
Packaging Type	Carton
Pitch - Mating Interface (in)	0.100 In
Pitch - Mating Interface (mm)	2.54 mm
Pitch - Term. Interface (in)	0.100 In
Pitch - Term. Interface (mm)	2.54 mm
Plating min: Mating (µin)	2
Plating min: Mating (µm)	0.05
Polarized to PCB	No
Stackable	No
Surface Mount Compatible (SMC)	No
Temperature Range - Operating	-55°C to +125°C

Electrical

EU RoHS
ELV and RoHS
Compliant
REACH SVHC
Not Reviewed
Halogen-Free
Status
Not Reviewed

China RoHS



Need more information on product environmental compliance?

Email productcompliance@molex.com
 For a multiple part number RoHS Certificate of Compliance, [click here](#)

Please visit the [Contact Us](#) section for any non-product compliance questions.

Search Parts in this Series
[36511Series](#)

Current - Maximum per Contact	1A
Data Rate	622.0 Mbps
Voltage - Maximum	1000V (RMS)

Material Info

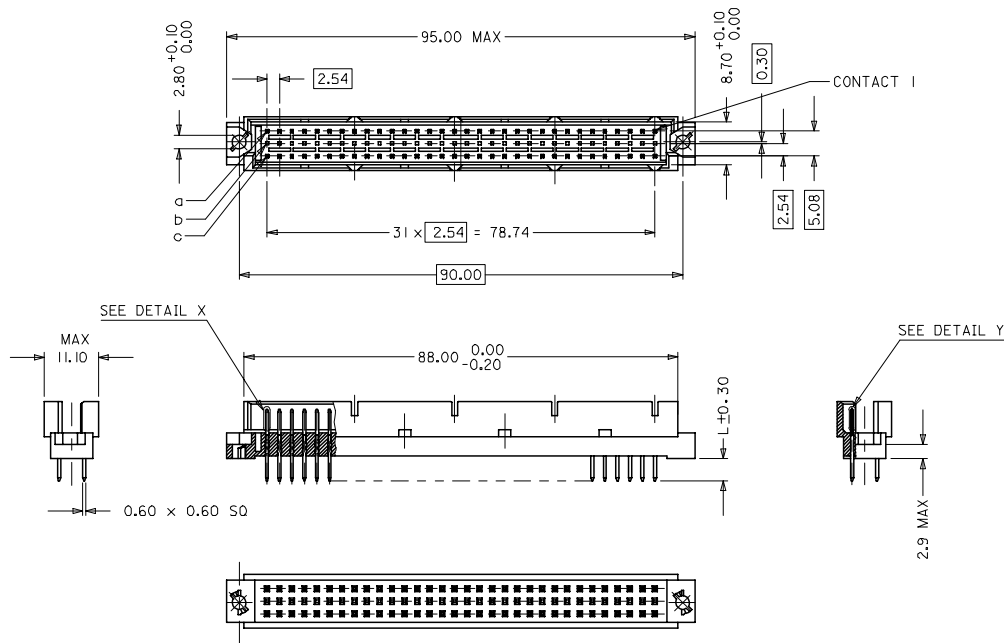
Old Part Number	MMB1802R963
-----------------	-------------

Reference - Drawing Numbers

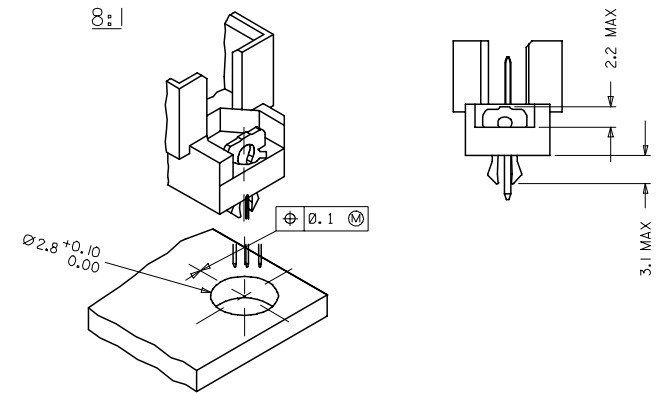
Packaging Specification	PK-36511-001
Product Specification	PS-36511-001
Sales Drawing	SD-36511-023

This document was generated on 05/13/2010

PLEASE CHECK WWW.MOLEX.COM FOR LATEST PART INFORMATION

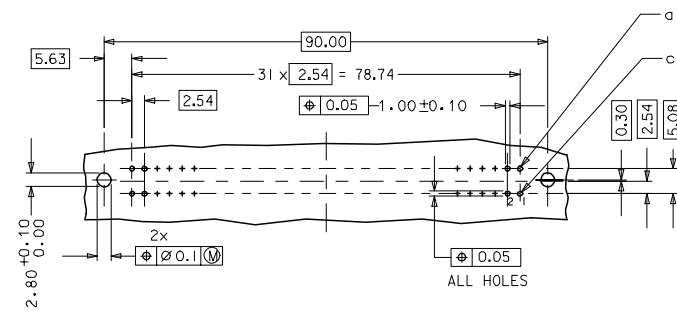


WITH MOUNTING CLIPS



- NOTES:
- 1) MATERIALS: THERMOPLASTIC POLYESTER, GLASS FILLED, UL94V-0, COLOUR: PEBBLE GREY RAL 7032
TERMINAL - BRASS
MOUNTING CLIP: STEEL
 - 2) FINISH: TERMINAL:-
CONTACT AREA
I. PERFORMANCE LEVEL 4: SELECTIVE GOLD (Au), THICKNESS = 0.05 MICROMETER
OVER NICKEL, THICKNESS = 1.50 MICROMETER
TERMINATION AREA:
SELECTIVE TIN, THICKNESS = 2.5 MICROMETER
OVER NICKEL, THICKNESS = 1.25 MICROMETER OVERALL
 - 3) MOUNTING CLIP:-
TIN (Sn), THICKNESS = 5-10 MICROMETER,
OVER NICKEL (Ni), THICKNESS = 2.5 MICROMETER
 - 4) FOR NON MOUNTING CLIP OPTION, CONNECTOR TO BE SECURED WITH
RIVETS: 2 TUBULAR RIVETS 2.5 x 0.3 ... DIN 7340
SCREWS: 2 CHEESEHEAD SCREWS M2.5 x ... DIN 84 AND 2 HEXAGONAL NUTS M2.5 DIN 934
 - 5) MATERIAL NUMBER, BATCH CODE, UL AND CSA MARKING
TO BE PRINTED ON THE CONNECTOR
 - 6) CUT FACE OF TIP WITHOUT PLATING PERMITTED
 - 7) PRODUCT SPECIFICATION PS : 36511-001

RECOMMENDED PCB LAYOUT
COMPONENT SIDE

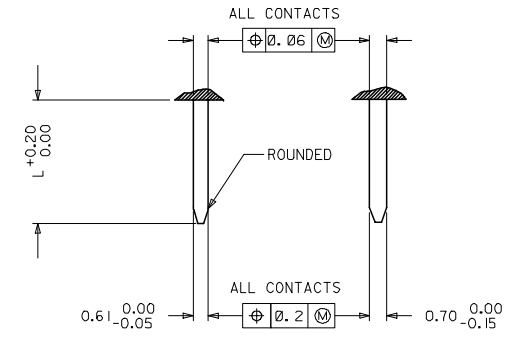


RoHS COMPLIANT

ENTER DESCRIPTION E.C. NO. 12007-0502 DRAWING: BINAAR 2007/06/23 CHECKED BY: CHIKKAPRASAD 2007/06/23 APPROVED BY: 2007/06/23	QUALITY SYMBOLS ▽=0 ▽=0	GENERAL TOLERANCES (UNLESS SPECIFIED)		DIMENSION STYLE MM ONLY		SCALE 2:1	DESIGN UNITS METRIC	THIRD ANGLE PROJECTION
		4 PLACES ± 0.15	± 0.15	INCH	DRAWN BY SS	DATE 1999/09/24	TITLE ASSEMBLY, DIN 41612 R MALE 64 SOLDER	
DRAFT WHERE APPLICABLE MUST REMAIN WITHIN DIMENSIONS	SEE SHEET 2	3 PLACES ± 0.05	± 0.05		CHECKED BY G J LOWE	DATE 1999/09/24	MATERIAL NO. SD-36511-023	
		2 PLACES ± 0.1	± 0.1		APPROVED BY G J LOWE	DATE 1999/09/24	DOCUMENT NO.	SHEET NO. 1 OF 2
SEE SHEET 2		1 PLACE ± 0.15	± 0.15		MATERIAL NO. SD-36511-023			
THIS DRAWING CONTAINS INFORMATION THAT IS PROPRIETARY TO MOLEX INCORPORATED AND SHOULD NOT BE USED WITHOUT WRITTEN PERMISSION		ANGULAR ± 2°						

20	19	18	17	16	15	14	13	12	11	10	9	8	7	6	5	4	3	2	1
MATERIAL No.	MOLEX ENG No.	PERF LEVEL	PLATING	CONTACT SEQUENCE/ROW	DIM "L" MM	MOUNTING CLIP	FMLB												
36511-0301	MM-B1802-R963	4	Au + Ni	1,2,3...32 a+c	4.5	NO	NO												

DETAILY DETAILX



PRE MATING CONTACTS	5.4
NORMAL CONTACTS	4.8
	L

RoHS COMPLIANT

ENTER DESCRIPTION ELC INC: 12007-0502 DRWING BANARAT 2007/06/23 CHKCD: 2007/06/23 APPR:KPRASAD 2007/06/23 REV A	QUALITY SYMBOLS 	GENERAL TOLERANCES (UNLESS SPECIFIED)		DIMENSION STYLE MM ONLY	SCALE 2:1	DESIGN UNITS METRIC	THIRD ANGLE PROJECTION		
		4 PLACES ± 0.15 ± ---	3 PLACES ± 0.05 ± ---	DRAWN BY SS	DATE 1999/09/24	TITLE ASSEMBLY, DIN 41612 R MALE 64 POS SOLDER			
		2 PLACES ± 0.1 ± ---	1 PLACE ± 0.15 ± ---	CHECKED BY GJLOWE	DATE 1999/09/24	MATERIAL NO. SEE CHART			
		ANGULAR ± 2°		APPROVED BY GJLOWE	DATE 1999/09/24	DOCUMENT NO. SD-36511-023			
DRAFT WHERE APPLICABLE MUST REMAIN WITHIN DIMENSIONS		SIZE A 1		THIS DRAWING CONTAINS INFORMATION THAT IS PROPRIETARY TO MOLEX INCORPORATED AND SHOULD NOT BE USED WITHOUT WRITTEN PERMISSION					