

**PLEASE CHECK WWW.MOLEX.COM FOR LATEST PART INFORMATION**

**Part Number:** [0014442506](#)  
**Status:** **Active**  
**Overview:** [cgrid\\_sl\\_products](#)  
**Description:** 2.54mm (.100") Pitch SL™ Insulation Displacement Connector Assembly, Male, Single Row, Version D, Back Ribs, for Wire Size 24, 0.76µm (30µ") Gold (Au), 6 Circuits

**Documents:**

[3D Model](#) [Product Specification PS-70400 \(PDF\)](#)  
[Drawing \(PDF\)](#) [RoHS Certificate of Compliance \(PDF\)](#)

**Agency Certification**

CSA LR19980  
 UL E29179

**General**

Product Family Ribbon Cable / Wire Trap Connectors  
 Series [70475](#)  
 Comments Terminals Preloaded  
 Component Type Housing  
 Glow-Wire Compliant No  
 Overview [cgrid\\_sl\\_products](#)  
 Product Name SL™

**Physical**

Circuits (Loaded) 6  
 Color - Resin Black  
 Durability (mating cycles max) 50  
 Entry Angle Vertical  
 Flammability 94V-0  
 Lock to Mating Part None  
 Material - Metal Phosphor Bronze  
 Material - Plating Mating Gold  
 Material - Plating Termination Tin  
 Material - Resin Polyester Alloy  
 Number of Rows 1  
 PCB Retention None  
 Packaging Type Tube  
 Pitch - Mating Interface (in) 0.100 In  
 Pitch - Mating Interface (mm) 2.54 mm  
 Plating min: Mating (µin) 30  
 Plating min: Mating (µm) 0.76  
 Plating min: Termination (µin) 75  
 Plating min: Termination (µm) 1.91  
 Polarized to Mating Part No  
 Stackable Yes  
 Surface Mount Compatible (SMC) N/A  
 Temperature Range - Operating -40°C to +105°C  
 Termination Interface: Style IDT or Pierce  
 Wire Insulation Diameter 1.35mm (.053") max.  
 Wire Size AWG 24  
 Wire/Cable Type Discrete Wire, Ribbon Cable

**Electrical**

Current - Maximum per Contact 3A  
 Voltage - Maximum 250V

**Material Info**



**EU RoHS**  
**ELV and RoHS**  
**Compliant**  
**REACH SVHC**  
**Not Reviewed**  
**Halogen-Free**  
**Status**  
**Not Reviewed**

**China RoHS**



**Need more information on product environmental compliance?**

Email [productcompliance@molex.com](mailto:productcompliance@molex.com)  
 For a multiple part number RoHS Certificate of Compliance, [click here](#)

Please visit the [Contact Us](#) section for any non-product compliance questions.

**Search Parts in this Series**

[70475Series](#)

**Mates With**

[70004](#) Interim Clip (Single Row), [70013](#) Interim Clip (Dual Row)

**Use With**

[7307](#) Tinned 28AWG, [7767](#) Topcoat 28AWG, [24241](#) Tinned 26AWG, [8996](#) Topcoat 26AWG, [24226](#) Tinned 24AWG, [8997](#) Topcoat 24AWG, [24369](#) High Flex 26AWG, [24389](#) High Flex 24AWG

Old Part Number

70475-1125

**Reference - Drawing Numbers**

Product Specification

PS-70400

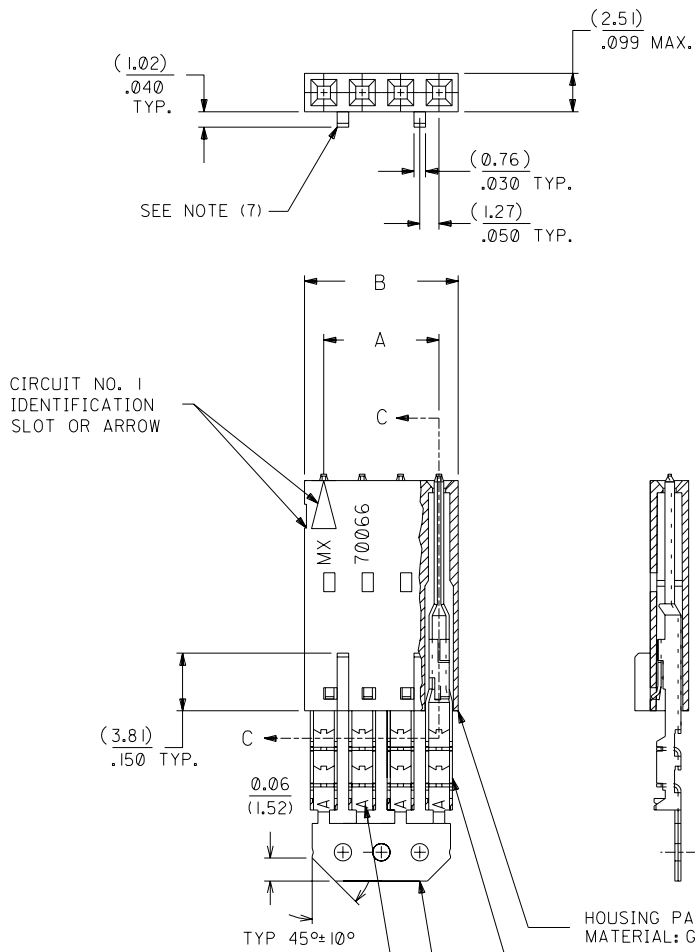
This document was generated on 05/20/2010

**PLEASE CHECK [WWW.MOLEX.COM](http://WWW.MOLEX.COM) FOR LATEST PART INFORMATION**

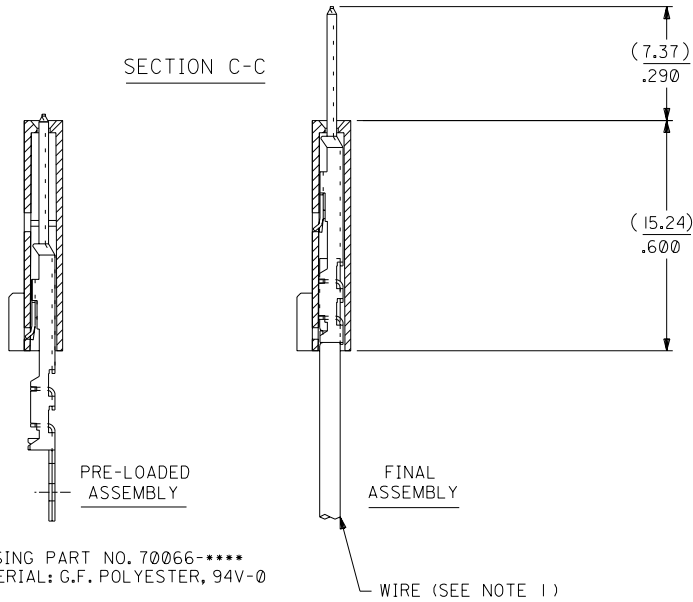
# OPTION D

## NOTES:

- 1) TO BE USED WITH (24) AWG. STRANDED WIRE WITH (1.35)/.053 DIA. MAX. INSULATION.
- 2) SEE CHART FOR CIRCUIT SIZES.
- 3) STANDARD PACKAGING PER PK-70873-0001. OPTIONAL PACKAGING MAY BE AVAILABLE, REQUEST DWG. PK-70475.
- 4) PARTS STACKABLE END TO END ON (2.54)/.100 CENTERS.
- 5) REFER TO PRODUCT SPECIFICATION: PS-70475.
- 6) SEE DWG. SDA-70475-\*\*\*\*\* (SHT.3) FOR OPTIONAL HOUSING DETAILS.
- 7) 4 CIRCUIT SHOWN. 3 - 25 CKT'S. HAVE (2) RIBS.
- 8) TO MATE WITH MOLEX PART NO'S.: 70018-\*\*\*\*, 70022-\*\*\*\*, 70104-\*\*\*\*.
- 9) 2 CIRCUIT ASSEMBLIES SUPPLIED AS GROUPED PAIRS.



## SECTION C-C



I.D. SLOT CODE TO WIRE GAUGE CHART	
I.D. SLOT CODE	WIRE GAUGE
A	24 AWG.

PLATING CODE (STRIPE ON CARRIER STRIP)	
PLATING	COLOR
30 GOLD	RED

30 GOLD - .000030 MINIMUM GOLD IN SELECT AREA WITH .000075 MINIMUM TIN IN SELECT AREA OVER .000050 MINIMUM NICKEL OVER-ALL.

\*THE PRIMARY SHIPPING CARTON WILL BE LABELED "COMPLIANT TO RoHS DIRECTIVE 2002/95/EC AND ELV ANNEX II OF DIRECTIVE 2000/53/EC". CARTONS WITHOUT THIS LABEL MAY CONTAIN PRODUCT WITH LEAD.

CKT. SIZE	A	B	EDP. NO.	ENG. NO.
2	( 2.54 ) .100	( 5.05 ) .199	14-44-2502	A-70475-1121
3	( 5.08 ) .200	( 7.59 ) .299	14-44-2503	A-70475-1122
4	( 7.62 ) .300	( 10.13 ) .399	14-44-2504	A-70475-1123
5	( 10.16 ) .400	( 12.67 ) .499	14-44-2505	A-70475-1124
6	( 12.70 ) .500	( 15.21 ) .599	14-44-2506	A-70475-1125
7	( 15.24 ) .600	( 17.75 ) .699	14-44-2507	A-70475-1126
8	( 17.78 ) .700	( 20.29 ) .799	14-44-2508	A-70475-1127
9	( 20.32 ) .800	( 22.83 ) .899	14-44-2509	A-70475-1128
10	( 22.86 ) .900	( 25.37 ) .999	14-44-2510	A-70475-1129
11	( 25.54 ) 1.000	( 27.91 ) 1.099	14-44-2511	A-70475-1130
12	( 27.94 ) 1.100	( 30.45 ) 1.199	14-44-2512	A-70475-1131
13	( 30.48 ) 1.200	( 32.99 ) 1.299	14-44-2513	A-70475-1132
14	( 33.02 ) 1.300	( 35.53 ) 1.399	14-44-2514	A-70475-1133
15	( 35.56 ) 1.400	( 38.07 ) 1.499	14-44-2515	A-70475-1134
16	( 38.01 ) 1.500	( 40.61 ) 1.599	14-44-2516	A-70475-1135
17	( 40.64 ) 1.600	( 43.15 ) 1.699	14-44-2517	A-70475-1136
18	( 43.18 ) 1.700	( 45.69 ) 1.799	14-44-2518	A-70475-1137
19	( 45.72 ) 1.800	( 48.23 ) 1.899	14-44-2519	A-70475-1138
20	( 48.26 ) 1.900	( 50.77 ) 1.999	14-44-2520	A-70475-1139
21	( 50.80 ) 2.000	( 53.31 ) 2.099	14-44-2521	A-70475-1140
22	( 53.34 ) 2.100	( 55.85 ) 2.199	14-44-2522	A-70475-1141
23	( 55.88 ) 2.200	( 58.39 ) 2.299	14-44-2523	A-70475-1142
24	( 58.42 ) 2.300	( 60.93 ) 2.399	14-44-2524	A-70475-1143
25	( 60.96 ) 2.400	( 63.47 ) 2.499	14-44-2525	A-70475-1144

LTR.	REVISIONS	LTR.	REVISIONS

DRWG. BY	CHK'D. BY	SCALE
WAZ	WAZ	4 : 1

DIMENSIONS SHOWN (METRIC) INCH UNLESS OTHERWISE SPECIFIED TOLERANCES: ANGULAR ± 1/2°		REVISIONS	
3 PLACE ± .010	METRIC ---	D	REVISED PER ECR NO. U82124 10-17-88 MGB
2 PLACE ± .014	± 0.25	E	LEAD FREE UCP2004-1769 RWHITE 04/03/24
1 PLACE ---	± 0.35	C	REVISE PER ECR #U81370 5/20/88 MJM
DRAFT WHERE APPLICABLE MUST REMAIN WITHIN DIMENSIONS		D1	ADD CARRIER CHAMF ECR #UDT1998-0280 05/20/98 LMCGRATH
DRAWING INFORMATION		B	REDRAWN ON CAD ECR* 8842 5/9/86 W.Z.
PART NO. SDA-70475-1121-1144		REVISED PER ECR NO. U82124 10-17-88 MGB	
SEE CHART		LEAD FREE UCP2004-1769 RWHITE 04/03/24	
FILE NAME S70475DX7		REVISE PER ECR #U81370 5/20/88 MJM	
THIS DRAWING CONTAINS INFORMATION THAT IS PROPRIETARY TO MOLEX INC. AND SHOULD NOT BE USED WITHOUT WRITTEN PERMISSION.		ADD CARRIER CHAMF ECR #UDT1998-0280 05/20/98 LMCGRATH	
MFG. SH. REV.		REDRAWN ON CAD ECR* 8842 5/9/86 W.Z.	
TITLE ASSEMBLY, SL CONNECTOR (SINGLE ROW- (2.54)/.100 GRID)		LEAD FREE UCP2004-1769 RWHITE 04/03/24	
MOLEX INCORPORATED SHEET NO. DATE 10/13/84		REVISED PER ECR NO. U82124 10-17-88 MGB	
LITSE, ILL. 60532 U.S.A.		LEAD FREE UCP2004-1769 RWHITE 04/03/24	