

**PLEASE CHECK WWW.MOLEX.COM FOR LATEST PART INFORMATION**

**Part Number:** [0533071271](#)  
**Status:** **Active**  
**Description:** 0.80mm (.031") Pitch Header, Surface Mount, Dual Row, Vertical Stacking, 4.50 and 5.50mm (.177 and .217") Stacking Heights, Lead-free, 12 Circuits

**Documents:**

[3D Model](#) [Product Specification PS-52465-015 \(PDF\)](#)  
[Drawing \(PDF\)](#) [RoHS Certificate of Compliance \(PDF\)](#)

**General**

Product Family PCB Headers  
 Series [53307](#)  
 Application Board-to-Board  
 Product Name N/A

**Physical**

Breakaway No  
 Circuits (Loaded) 12  
 Circuits (maximum) 12  
 Color - Resin Natural  
 First Mate / Last Break No  
 Glow-Wire Compliant No  
 Guide to Mating Part No  
 Keying to Mating Part None  
 Lock to Mating Part None  
 Mated Height (in) 0.177 In, 0.217 In  
 Mated Height (mm) 4.50 mm, 5.50 mm  
 Material - Metal Phosphor Bronze  
 Material - Plating Mating Tin  
 Material - Plating Termination Tin  
 Material - Resin High Temperature Thermoplastic  
 Number of Rows 2  
 Orientation Vertical  
 PCB Locator No  
 PCB Retention None  
 Packaging Type Embossed Tape on Reel  
 Pitch - Mating Interface (in) 0.031 In  
 Pitch - Mating Interface (mm) 0.80 mm  
 Plating min: Mating (µin) 120  
 Plating min: Mating (µm) 3  
 Plating min: Termination (µin) 120  
 Plating min: Termination (µm) 3  
 Polarized to PCB No  
 Shrouded Fully  
 Stackable No  
 Temperature Range - Operating -20°C to +105°C  
 Termination Interface: Style Surface Mount

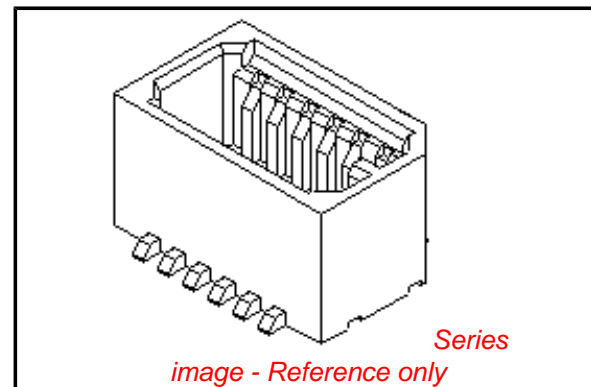
**Electrical**

Current - Maximum per Contact 0.5A  
 Voltage - Maximum 50V

**Material Info**

**Reference - Drawing Numbers**

[Packaging Specification](#) SPK-53307-001  
[Product Specification](#) PS-52465-015, RPS-52465-042, RPS-52465-052



**EU RoHS**

**ELV and RoHS  
Compliant**  
**REACH SVHC  
Contains SVHC: No**  
**Halogen-Free  
Status  
Not Reviewed**

**China RoHS**



**Need more information on product  
environmental compliance?**

Email [productcompliance@molex.com](mailto:productcompliance@molex.com)  
 For a multiple part number RoHS Certificate of Compliance, [click here](#)

Please visit the [Contact Us](#) section for any non-product compliance questions.

**Search Parts in this Series**

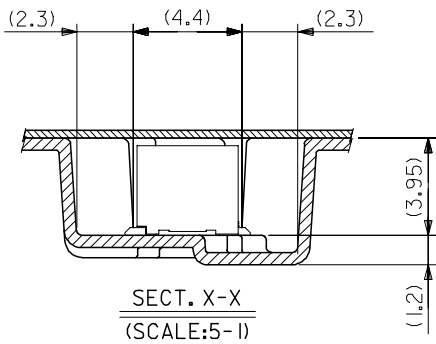
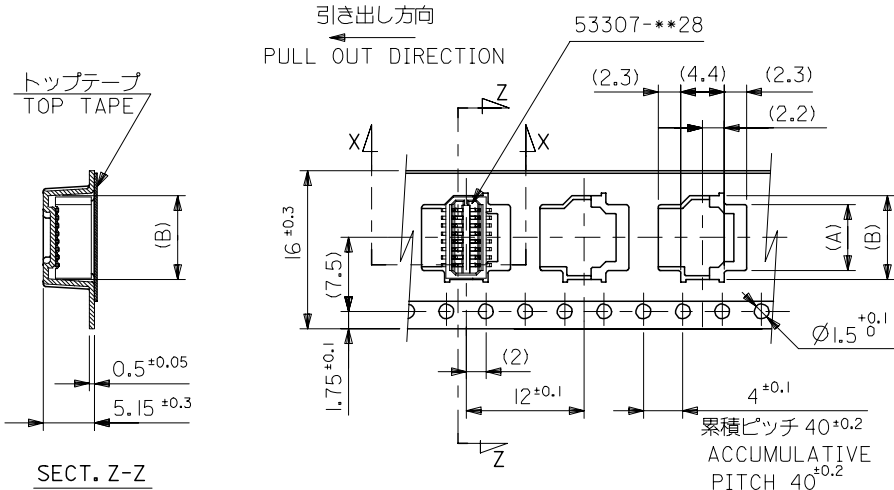
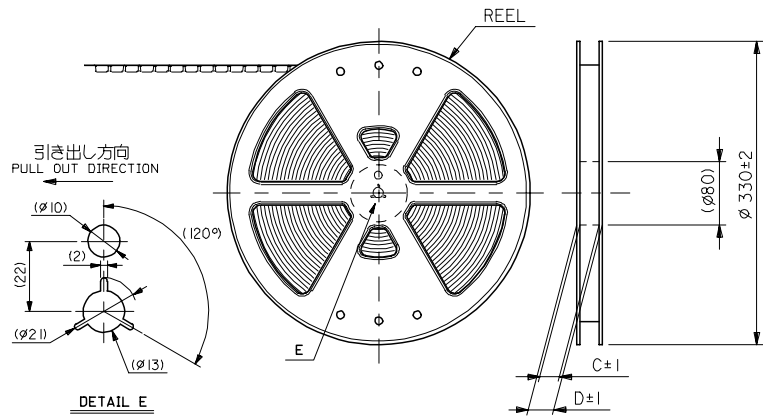
[53307Series](#)

**Mates With**

Board-to-Board Receptacle [52465](#) , [52588](#)

This document was generated on 06/07/2010

**PLEASE CHECK [WWW.MOLEX.COM](http://WWW.MOLEX.COM) FOR LATEST PART INFORMATION**

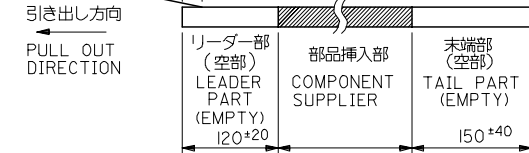
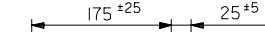


注記 NOTES

1. 梱包数量：1000個/リール NUMBER OF CONNECTORS:1000PCS/REEL

2. リードテープ長さ LEAD TAPE LENGTH

トップテープ リーダー部 TOP TAPE LEADER PART  
トップテープ 未接着部 TOP TAPE NON-BONDED PART



3. トップテープの剥離強度：(剥離方向は下図参照)

0.1N~1.3N {10gf~130gf}

尚、本規格値は、出荷時に適用。

(但し、輸送時に剥離が発生しない事。)

PEELING OFF FORCE OF TOP TAPE

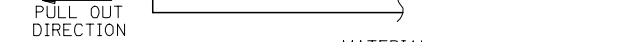
0.1N~1.3N {10gf~130gf}

(PEELING DIRECTION AS SHOWN IN FOLLOWING FIG.)

THIS REQUIREMENT SHOULD BE APPLIED AT SHIPMENT

PEEL OFF SHOULD NOT BE ALLOWED,

DURING TRANSPORTATION



4. 材料

キャリアテープ：ポリプロピレン (PP)

トップテープ：PET, PE, PEF

リール：ポリスチレン (PS)

<リサイクル材を含む>

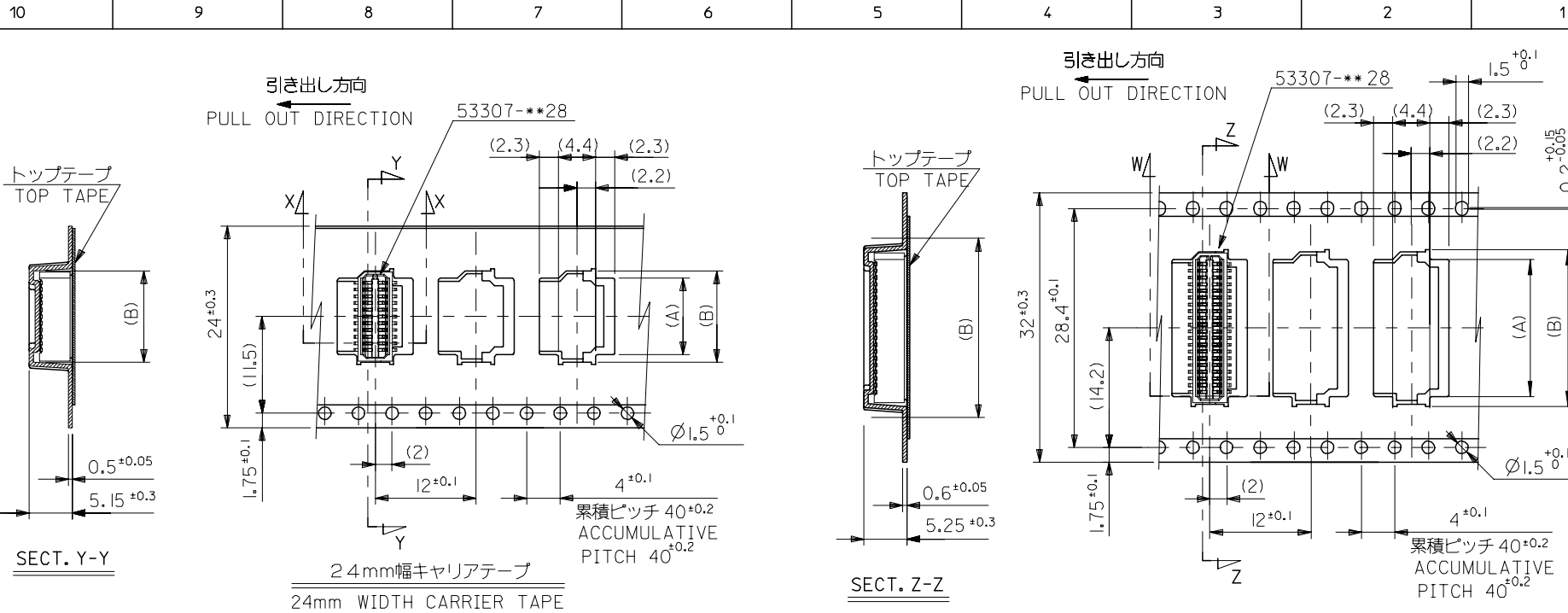
MATERIAL CARRIER TAPE:POLYPROPYLENE  
TOP TAPE:PET,PE,PEF  
REEL:POLYSTYRENE(PS)  
<RECYCLE MATERIAL CONTAINED>

5. 本製品は 53307-\*\*\*91 の鉛フリー品である。

THIS PRODUCT IS LEAD FREE OF 53307-\*\*\*91

53307-***71 MODEL.NO.	キャリアテープ幅 CARRIER TAPE WIDTH	D	C	(B)	(A)	MATERIAL. NO.	9.3	7.5	53307-1871	18
							8.5	6.7	53307-1671	16
							7.7	5.9	53307-1471	14
							6.9	5.1	53307-1271	12
							6.1	4.3	53307-1071	10
										極数 CIRCUIT

REVISED EC NO: J2006-0187 DRWN: OTANI CHKD: NUKITA APPR: NUKITA	DESCRIPTION 2005/08/01 2005/08/02 2005/08/18	GENERAL TOLERANCES (UNLESS SPECIFIED)		DIMENSION STYLE MM ONLY		SCALE ---	DESIGN UNITS METRIC	THIRD ANGLE PROJECTION		
		10 UNDER	±0.2	DRAWN BY	DATE	TITLE				
		10 OVER 30 UNDER	±0.25	HSHIMABUKURO	2004/02/09	0.8 B-TO-B WAFER ASSY SMT EMBSTP PKG -LEAD FREE-				
		30 OVER	±0.3	CHECKED BY	DATE	MOLEX MOLEX INCORPORATED				
		ANGULAR	±3 °	KTOJO	2004/02/09	SD-53307-014				
DRAFT WHERE APPLICABLE MUST REMAIN WITHIN DIMENSIONS		MATERIAL NO.		SEE CHART		DOCUMENT NO.		SHEET NO.		
A		A3		THIS DRAWING CONTAINS INFORMATION THAT IS PROPRIETARY TO MOLEX INCORPORATED AND SHOULD NOT BE USED WITHOUT WRITTEN PERMISSION		1 OF 2				

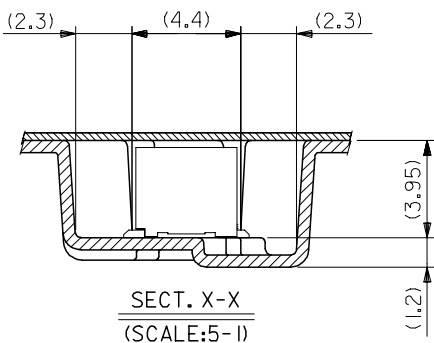


SECT. Y-Y

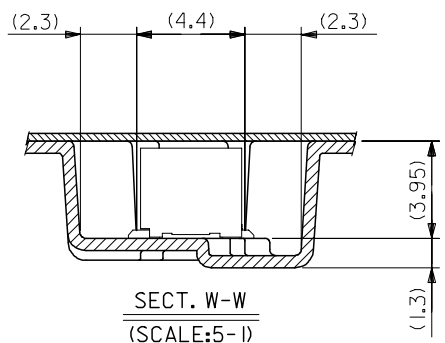
SECT. Z-Z

24mm幅キャリアテープ  
24mm WIDTH CARRIER TAPE

32mm幅キャリアテープ  
32mm WIDTH CARRIER TAPE



SECT. X-X  
(SCALE:5-1)

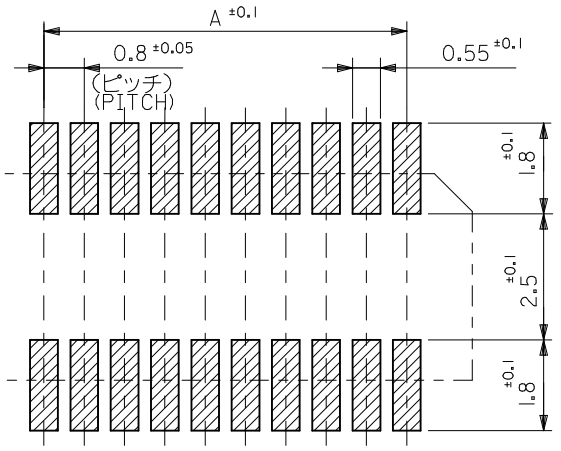
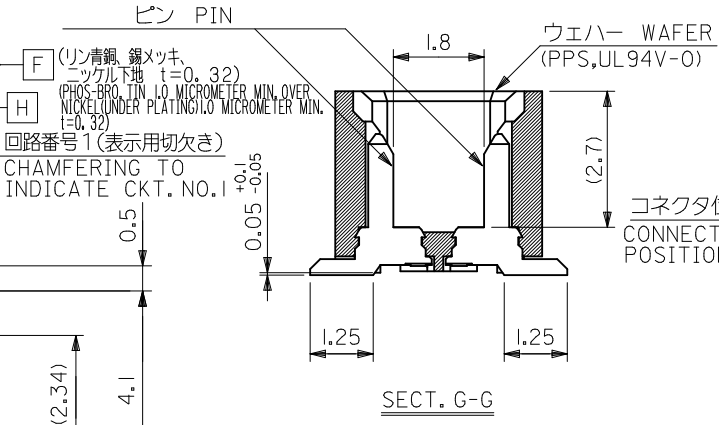
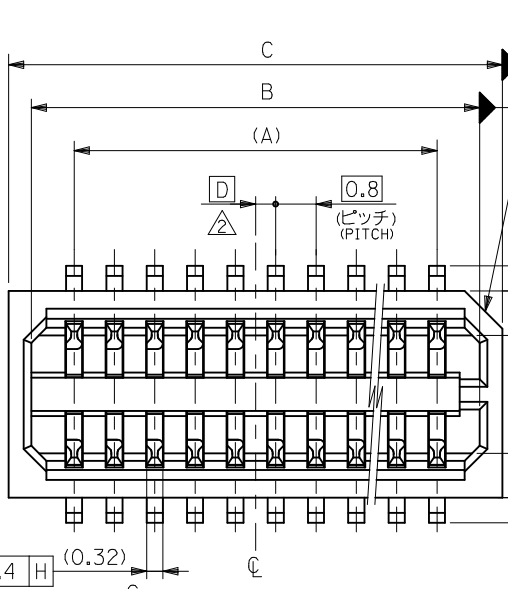


SECT. W-W  
(SCALE:5-1)

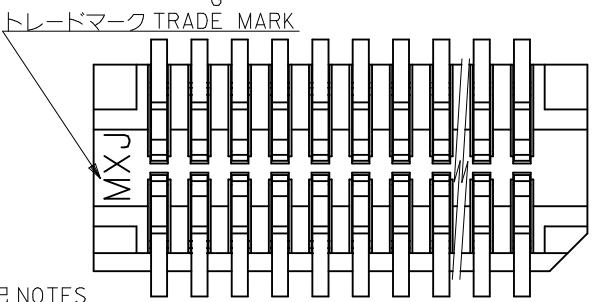
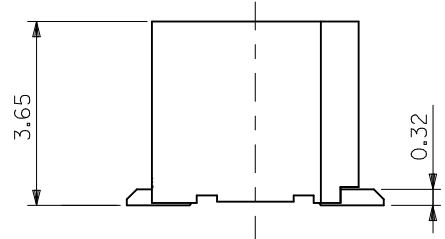
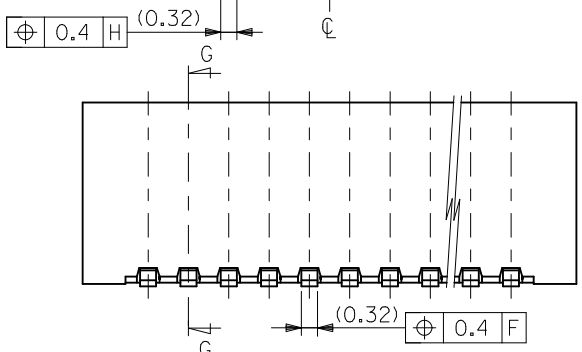
32	37.4	33.4	18.1	16.3	53307-4071	40
24	29.4	25.4	16.5	14.7	53307-3671	36
			15.7	13.9	53307-3471	34
			14.1	12.3	53307-3071	30
			13.3	11.5	53307-2871	28
			12.5	10.7	53307-2671	26
			11.7	9.9	53307-2471	24
			10.9	9.1	53307-2271	22
			10.1	8.3	53307-2071	20

53307-***71	キャリアテープ幅	D	C	(B)	(A)	MATERIAL. NO.	極数
MODEL NO.	CARRIER TAPE WIDTH						CIRCUIT

REVISED EC NO: J2006-0187 DRWN: YOTANI CHK: DANUKITA APPR: NUKITA 2005/08/01 2005/08/02 2005/08/18	GENERAL TOLERANCES (UNLESS SPECIFIED)		DIMENSION STYLE MM ONLY		SCALE ---	DESIGN UNITS METRIC	THIRD ANGLE PROJECTION
	10 UNDER	±0.2	DRAWN BY HSHIMABUKURO	DATE 2004/02/09	TITLE 0.8 B-TO-B WAFER ASSY SMT EMBSTP PKG -LEAD FREE-		
	10 OVER 30 UNDER	±0.25	CHECKED BY KTOJO	DATE 2004/02/09	MOLEX INCORPORATED		
	30 OVER	±0.3	APPROVED BY MSASAO	DATE 2004/02/09	MATERIAL NO.	DOCUMENT NO. SD-53307-014	SHEET NO. 2 OF 2
	ANGULAR	±3 °	SEE CHART				
DRAFT WHERE APPLICABLE MUST REMAIN WITHIN DIMENSIONS		THIS DRAWING CONTAINS INFORMATION THAT IS PROPRIETARY TO MOLEX INCORPORATED AND SHOULD NOT BE USED WITHOUT WRITTEN PERMISSION					



参考基板レイアウト (マウント面)  
P.C.B. PATTERN LAYOUT (REF.) (MOUNT AREA)



注記 NOTES

- 1 嵌合相手: 52465,52588  
MATE WITH: 52465,52588 SERIES
- 2 △ ワエハーの  $\phi$  から隣接するピン  $\phi$  の位置を示す。  
SHOW POSITION FROM  $\phi$  OF WAFER TO  $\phi$  OF ADJACENT PINS.
- 3 本製品は 53307-\*\*-27 の鉛フリー品である。  
THIS PRODUCT IS LEAD FREE OF 53307-\*\*-27

0.4	17.8	16.9	15.2	53307-4028	40
0.8	17.0	16.1	14.4	-3828	38
0.4	16.2	15.3	13.6	-3628	36
0.8	15.4	14.5	12.8	-3428	34
0.4	14.6	13.7	12.0	-3228	32
0.8	13.8	12.9	11.2	-3028	30
0.4	13.0	12.1	10.4	-2828	28
0.8	12.2	11.3	9.6	-2628	26
0.4	11.4	10.5	8.8	-2428	24
0.8	10.6	9.7	8.0	-2228	22
0.4	9.8	8.9	7.2	-2028	20
0.8	9.0	8.1	6.4	-1828	18
0.4	8.2	7.3	5.6	-1628	16
0.8	7.4	6.5	4.8	-1428	14
0.4	6.6	5.7	4.0	-1228	12
0.8	5.8	4.9	3.2	53307-1028	10

REVISED		DESCRIPTION		GENERAL TOLERANCES (UNLESS SPECIFIED)		DIMENSION STYLE		SCALE		DESIGN UNITS		MATERIAL NO. 極数 CKT.	
EC NO: J2010-1410		2010/01/12		10 UNDER ±0.2		MM ONLY		---		METRIC		53307-**-28	
DRWN: TOSHIMA		2010/01/12		10 OVER 30 UNDER ±0.25		DRAWN BY DATE		TITLE		THIRD ANGLE PROJECTION		MODEL NO.	
CHKD: SMARUYAMA		2010/01/12		30 OVER ±0.3		HSHIMABUKURO 2004/02/09		0.8 B/B CONN WAFER ASSY		D		C	
APPR: MSASAO		2010/01/20		ANGULAR ±3 °		CHECKED BY DATE		ST SMT		B		A	
REV		D		DRAFT WHERE APPLICABLE MUST REMAIN WITHIN DIMENSIONS		KTOJO 2004/02/09		-LEAD FREE-		A		MATERIAL NO. 極数 CKT.	
						APPROVED BY DATE		MOLEX INCORPORATED		A		53307-1028	
						MSASAO 2004/02/09		SEE CHART		SD-53307-015		1 OF 2	
						MATERIAL NO.		THIS DRAWING CONTAINS INFORMATION THAT IS PROPRIETARY TO MOLEX INCORPORATED AND SHOULD NOT BE USED WITHOUT WRITTEN PERMISSION					
						SIZE A3							

10 9 8 7 6 5 4 3 2 1

F

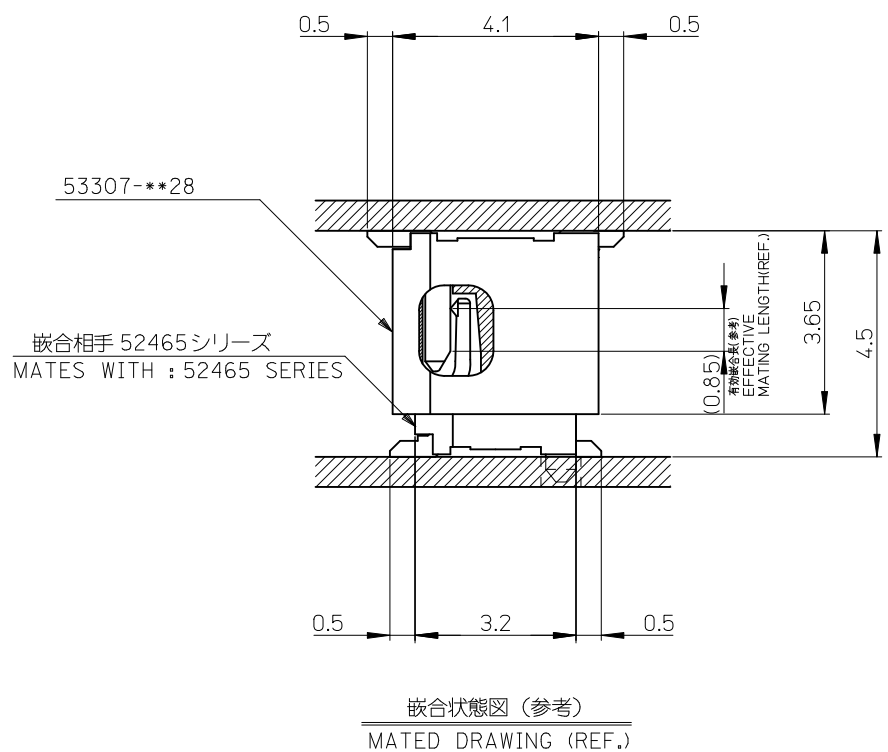
E

D

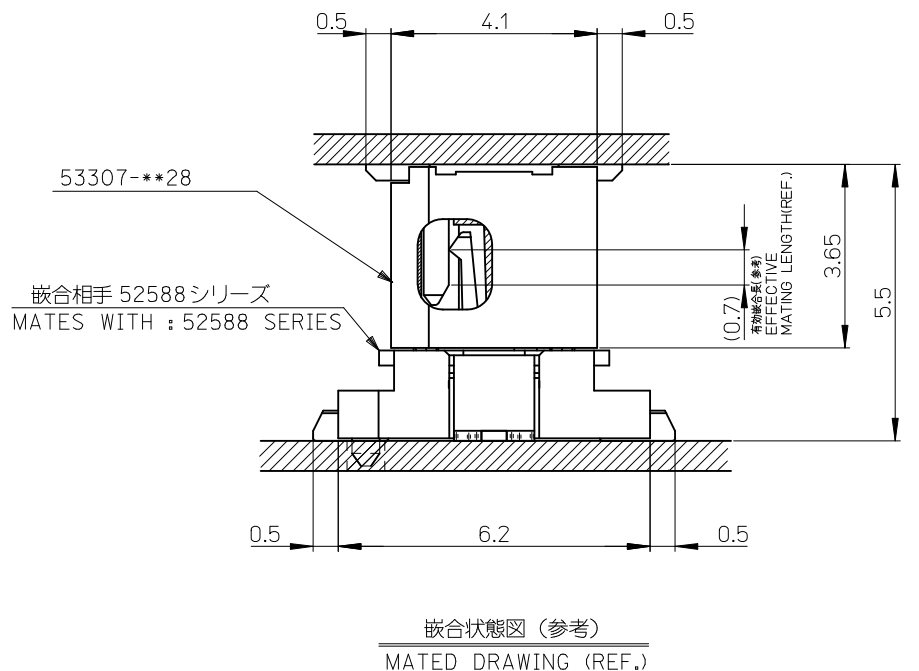
C

B

A



嵌合状態図 (参考)  
MATED DRAWING (REF.)



嵌合状態図 (参考)  
MATED DRAWING (REF.)

53307-\*\*\*28 MODEL NO.

REVISED EC NO: J2010-1410 DRWN: TOSHIMA 2010/01/12 CHKD: SMARUYAMA 2010/01/12 APPR: MSASAO 2010/01/20	DESCRIPTION 10 UNDER 10 OVER 30 UNDER 30 OVER ANGULAR ±3 ° DRAFT WHERE APPLICABLE MUST REMAIN WITHIN DIMENSIONS	GENERAL TOLERANCES (UNLESS SPECIFIED)		DIMENSION STYLE MM ONLY		SCALE ---	DESIGN UNITS METRIC	THIRD ANGLE PROJECTION		
		±0.2	±0.25	±0.3	±3	DRAWN BY HSHIMABUKURO	DATE 2004/02/09	TITLE 0.8 B/B CONN WAFER ASSY ST SMT -LEAD FREE-		
						CHECKED BY KTOJO	DATE 2004/02/09	MOLEX INCORPORATED		
						APPROVED BY MSASAO	DATE 2004/02/09	DOCUMENT NO. SD-53307-015	SHEET NO. 2 OF 2	
						MATERIAL NO. © SEE CHART		THIS DRAWING CONTAINS INFORMATION THAT IS PROPRIETARY TO MOLEX INCORPORATED AND SHOULD NOT BE USED WITHOUT WRITTEN PERMISSION		