

SPECIFICATIONS

Electrical Ratings	50mA @ 50VDC
Electrical Life	100,000 cycles typical
Contact Resistance	< 50 mΩ initial
Actuation Force	160 +/- 50gF 260 +/- 50gF
Actuator Travel	.20 +/- .1mm
Dielectric Strength	250Vrms min
Insulation Resistance	> 100MΩ min
Operating Temperature	-40°C to 85°C
Storage Temperature	-40°C to 85°C



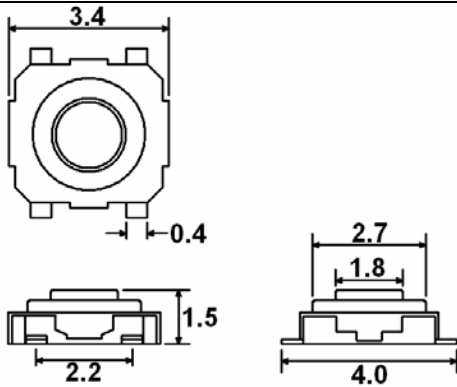
MATERIALS ←RoHS COMPLIANT

Actuator	4/6 Nylon
Housing	4/6 Nylon
Cover	Stainless Steel
Contacts	Stainless Steel, Silver Plated
Terminals	Phosphor Bronze, Silver Plated

ORDERING INFORMATION

1. Series:	CS1210	F160
CS1210		
2. Actuation Force:		
F160 = 160gF		
F260 = 260gF		

DIMENSIONS



SCHEMATIC & PC LAYOUT

