

PLEASE CHECK WWW.MOLEX.COM FOR LATEST PART INFORMATION

Part Number: **0512331213**
Status: **Active**
Description: CRC™ Shielded Rectangular I/O Receptacle Housing for Male Terminal, Signal, 12 Circuits, Polarization Type B, Polarization Position B-3

Documents:

[Drawing \(PDF\)](#) [Product Specification PS-51238-018 \(PDF\)](#)
[Product Specification PS-51238-010 \(PDF\)](#) [RoHS Certificate of Compliance \(PDF\)](#)

Agency Certification

CSA	LR19980
TUV	R72081037
UL	E29179

General

Product Family	I/O Connectors
Series	51233
Application	Panel-Mount, Wire-to-Wire
Component Type	Housing
Product Name	CRC™
Type	N/A

Physical

Boot Color	N/A
Circuits (Loaded)	N/A
Circuits (maximum)	12
Color - Resin	Black
Durability (mating cycles max)	100
Flammability	94V-0
Gender	Receptacle
Keying to Mating Part	Yes
Lock to Mating Part	Yes
Material - Metal	Stainless Steel
Material - Plating Mating	n/a
Material - Resin	Polyester
Number of Rows	4
Orientation	Vertical
PCB Locator	No
Packaging Type	Tray
Panel Mount	Front, Rear
Pitch - Mating Interface (in)	0.118 In
Pitch - Mating Interface (mm)	3.00 mm
Pitch - Term. Interface (in)	0.118 In
Pitch - Term. Interface (mm)	3.00 mm
Polarized to Mating Part	Yes
Polarized to PCB	N/A
Ports	1
Surface Mount Compatible (SMC)	No
Temperature Range - Operating	-40°C to +105°C
Termination Interface: Style	N/A
Waterproof / Dustproof	No

Electrical

Current - Maximum per Contact	4A
Shielded	No
Voltage - Maximum	250V AC (RMS)/DC



image - Reference only

EU RoHS

ELV and RoHS Compliant
REACH SVHC Contains SVHC: No
Halogen-Free Status Not Reviewed

China RoHS



Need more information on product environmental compliance?

Email productcompliance@molex.com
 For a multiple part number RoHS Certificate of Compliance, [click here](#)

Please visit the [Contact Us](#) section for any non-product compliance questions.

Search Parts in this Series

51233Series

Mates With

51239-120X plug housing|54332-120X plug assembly set

Use With

56377-120* receptacle shell|56116, 56117, 56118 and 56119 male terminal

Material Info

Reference - Drawing Numbers

Product Specification

Sales Drawing

PS-51238-010, PS-51238-018, RPS-51238-001

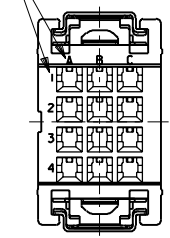
SD-51233-007

This document was generated on 04/12/2010

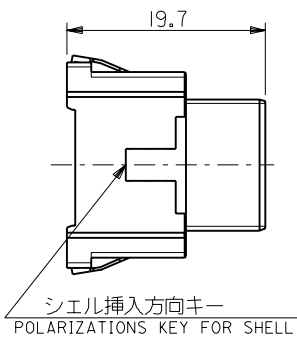
PLEASE CHECK WWW.MOLEX.COM FOR LATEST PART INFORMATION

DWG. NO. SD-51233-007

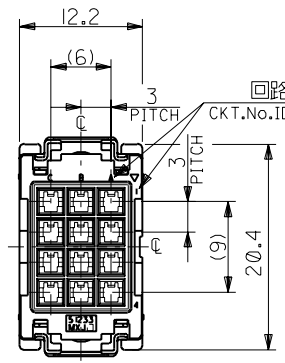
回路番号表示
CKT.No. IDENTIFICATION



電線挿入側
WIRE SIDE



シエル挿入方向キー
POLARIZATIONS KEY FOR SHELL



嵌合側
MATING SIDE

回路番号表示
CKT.No. IDENTIFICATION

シエル挿入方向キー
POLARIZATIONS KEY FOR SHELL

注記
NOTES

- 材質
MATERIAL
①ハウジング：ガラス入りPBT樹脂
HOUSING : PBT G.F.
UL94V-0 色：黒
UL94V-0 COLOR : BLACK
②スプリング：ステンレス鋼 t0.3
SPRING : STAINLESS STEEL t0.3
- 適用端子：56116-8*90 , 56117-8*90
56118-8*90 , 56119-8*90
APPLICABLE CRIMP PIN : 56116-8*90 , 56117-8*90
56118-8*90 , 56119-8*90
- 適用リセプタクル シエル：56377-12**
APPLICABLE RECEPTACLE SHELL : 56377-12**
- 嵌合相手：51239-120*
MEET WITH : 51239-120*

<誤嵌合防止キー（極性）タイプ> <POLARITY KEY TYPE>

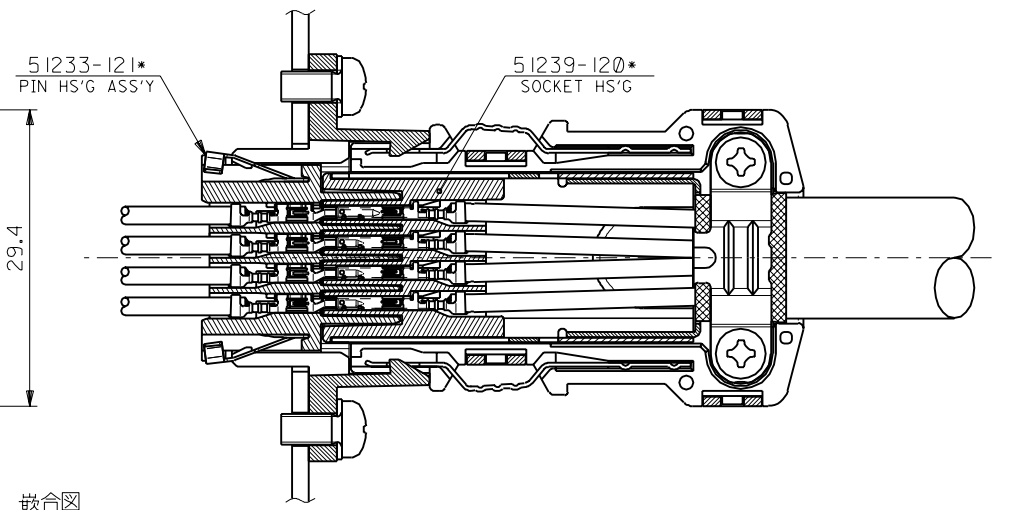
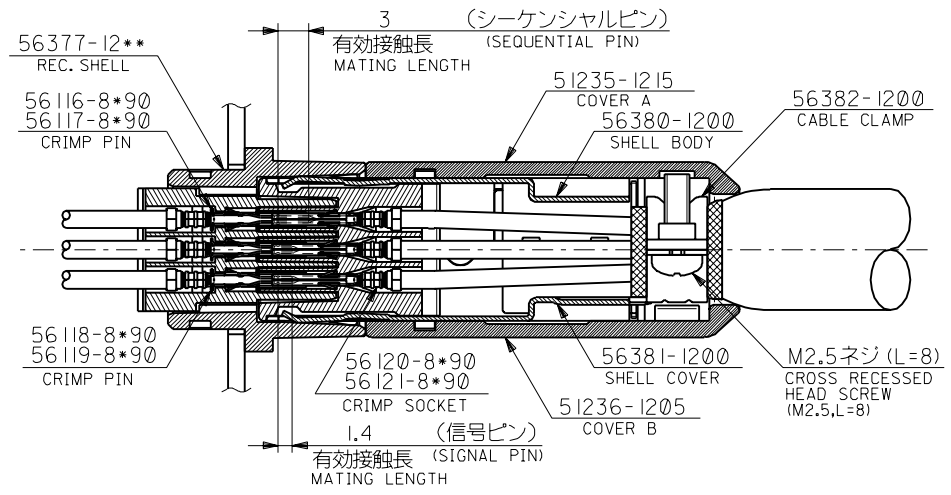
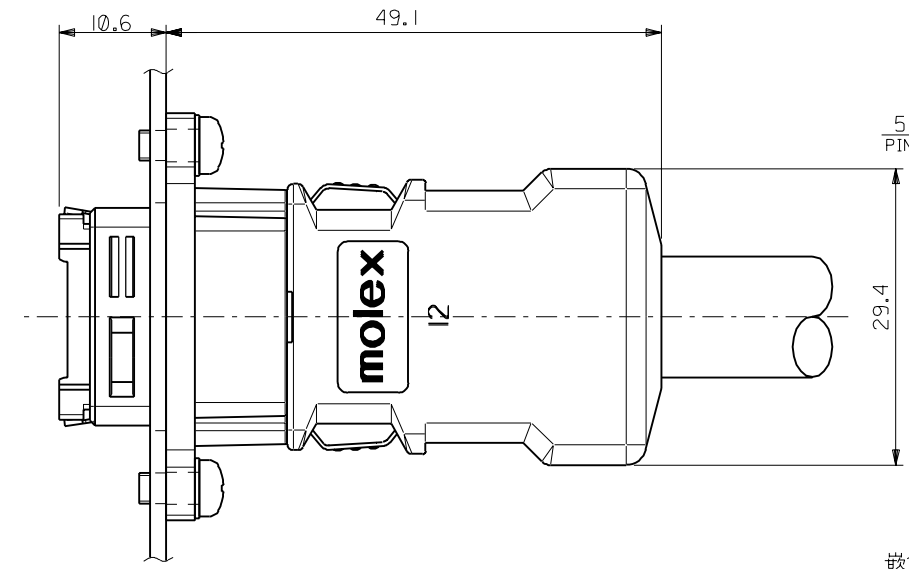
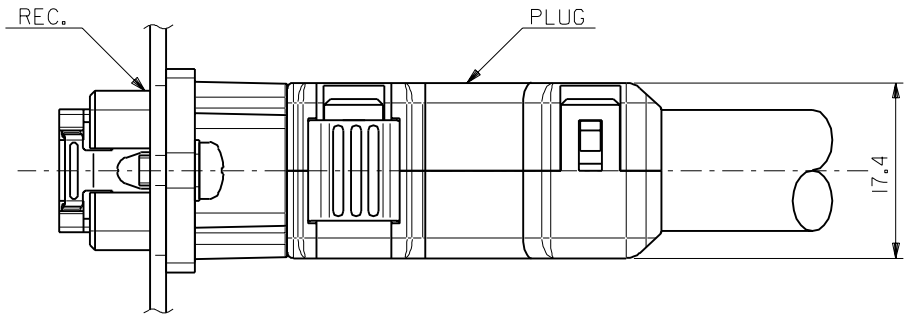
51233-1211	51233-1212	51233-1213	51233-1214	51233-1215
STANDARD TYPE	A TYPE	B TYPE	C TYPE	D TYPE

A-2	D	51233-1215	51233-**1*	12
C-3	C	51233-1214		
B-3	B	51233-1213		
B-2	A	51233-1212		
—	STANDARD	51233-1211		
POLARITY POSITION (CIRCUIT No.)	POLARITY TYPE	MATERIAL No.	MODEL No.	CIRCUIT

DO NOT SCALE DRAWING

EC NO. DRWN: CHK: APPR:	EC NO. DRWN: CHK: APPR:	EC NO. DRWN: CHK: APPR:	REVISED 01/10/04 EC NO. J2002-0786 DRWN: S.AKIYAMA CHK: J.MIYAZAWA APPR: YO.ITO	RELEASED 01/02/16 EC NO. JD2001-1040 DRWN: S.AKIYAMA CHK: J.MIYAZAWA APPR: H.IKESUGI	MATERIAL 材料 注記参照 SEE NOTES	GENERAL TOLERANCES: (UNLESS SPECIFIED) 一般公差	SCALE 2-1	DESIGN UNITS mm □ INCH	THIRD ANGLE PROJECTION	DIMENSIONS: mm □ INCH	SHT	REV
					FINISH 仕上げ	10 UNDER 未満	±0.2	DRAWN BY & DATE S. Akiyama 01/01/25	TITLE: COMPACT ROBOT CONN. (CRC) REC. PIN HS'G ASS'Y	mm INCH		
					WIRE RANGE 適用電線範囲	10 OVER 30 UNDER 以上 未満	±0.25	CHECKED BY & DATE J. Miyazawa / Y. Ito	MATERIAL NO. SEE CHART	mm ONLY		
					INS. RANGE 被覆外径	30 OVER 以上	±0.3	APPROVED BY & DATE Yo Ito	MATERIAL NO. SEE CHART	mm ONLY		
						ANGLE 角度	±3°	CAD FILE NAME 51233007.S01	MATERIAL NO. SEE CHART	mm ONLY		
						THIS DRAWING CONTAINS INFORMATION THAT IS PROPRIETARY TO MOLEX INCORPORATED AND SHOULD NOT BE USED WITHOUT WRITTEN PERMISSION.						
												SIZE B

DWG. NO. SD-51233-007

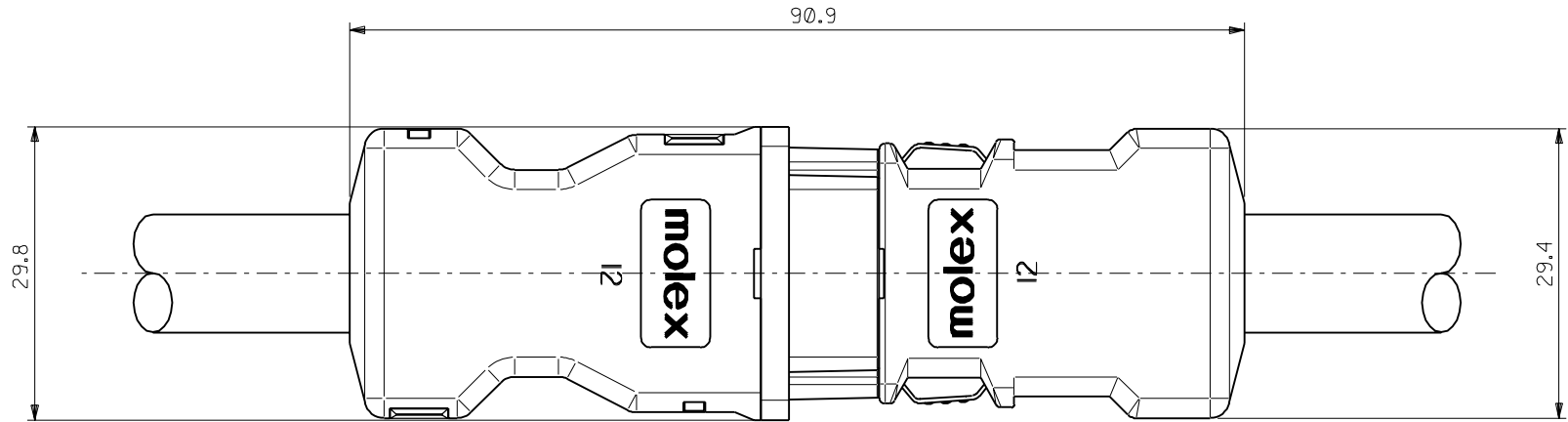
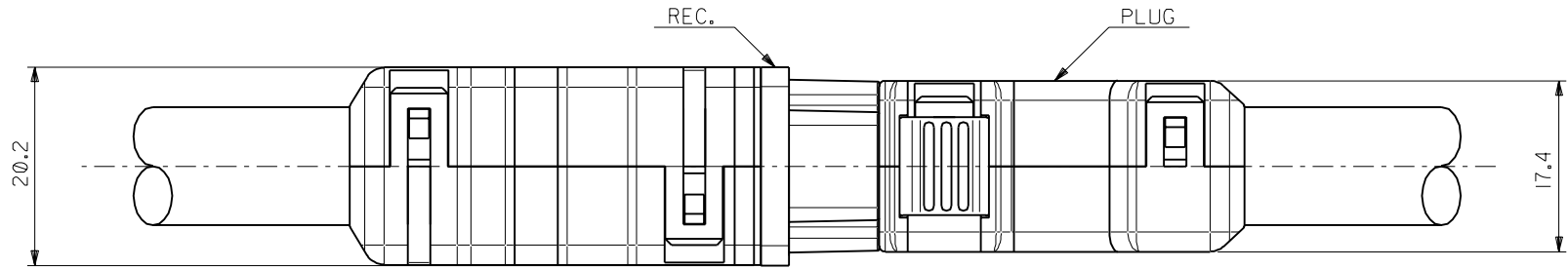


嵌合図
CROSS-SECTION VIEW OF MATED CONNECTOR

DO NOT SCALE DRAWING

EC NO. DRWN: CHK: APPR:	EC NO. DRWN: CHK: APPR:	EC NO. DRWN: CHK: APPR:	REVISED 01/10/04	MATERIAL 材料	GENERAL TOLERANCES: (UNLESS SPECIFIED) 一般公差	SCALE 2-1	DESIGN UNITS mm □ mm □ INCH	THIRD ANGLE PROJECTION	DIMENSIONS: mm □ mm □ INCH □ mm ONLY	SHT REVISE ON CAD ONLY	REV
			EC NO. J2002-0786 DRWN: S.AKIYAMA CHK: J.MIYAZAWA APPR: YO.IITO								
A	Ø	Ø	RELEASED 01/02/16	WIRE RANGE 適用線径範囲	10 OVER 以上	30 UNDER 未満	±0.25	CHECKED BY & DATE <i>J. Nagano</i> / 3.06	MATERIAL NO. SEE CHART	DRAWING NO. SD-51233-007	SHEET NO. 2 OF 4
			EC NO. JD2001-1040 DRWN: S.AKIYAMA CHK: J.MIYAZAWA APPR: H.IKESUGI								
					ANGLE 角度		±3°	CAD FILE NAME 51233007.S02	MATERIAL NO. SEE CHART	DRAWING NO. SD-51233-007	SHEET NO. 2 OF 4

THIS DRAWING CONTAINS INFORMATION THAT IS PROPRIETARY TO MOLEX INCORPORATED AND SHOULD NOT BE USED WITHOUT WRITTEN PERMISSION.

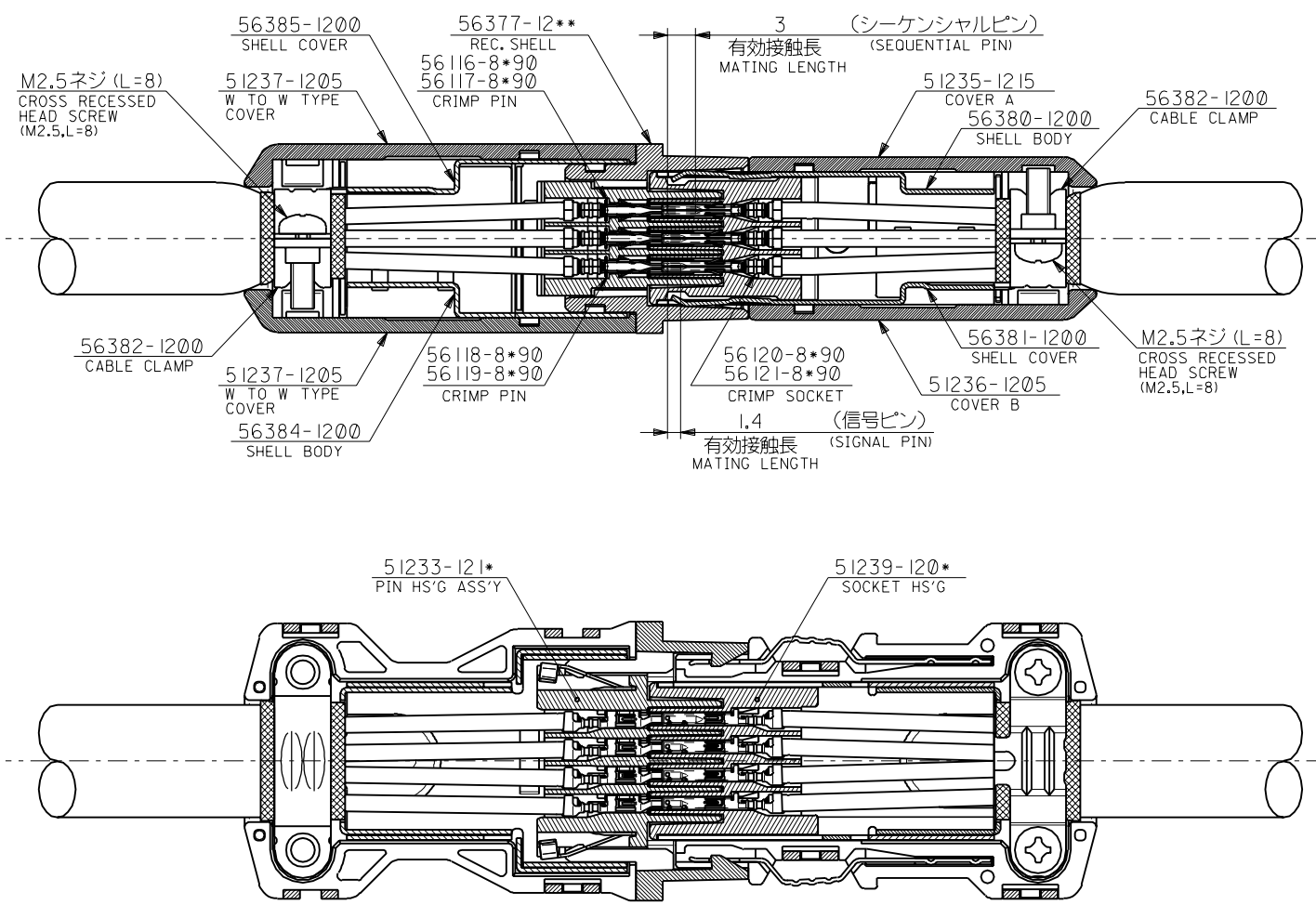


嵌合図 (中継タイプ)
CROSS-SECTION VIEW OF MATED CONNECTOR
(WIRE TO WIRE TYPE)

DO NOT SCALE DRAWING

EC NO. DRWN: CHK: APPR:	EC NO. DRWN: CHK: APPR:	EC NO. DRWN: CHK: APPR:	REVISED 01/10/04	MATERIAL 材料	GENERAL TOLERANCES: (UNLESS SPECIFIED) 一般公差	SCALE	DESIGN UNITS	THIRD ANGLE PROJECTION	DIMENSIONS:		SHT	REV
			EC NO. J2002-0786 DRWN: S.AKIYAMA CHK: J.MIYAZAWA APPR: YO.ITO			10 UNDER 未満	2-1		<input type="checkbox"/> mm <input type="checkbox"/> INCH	<input type="checkbox"/> mm <input type="checkbox"/> mm	<input checked="" type="checkbox"/> mm ONLY	
A	0		RELEASED 01/02/16	注記参照 SEE NOTES	10 OVER 30 UNDER 以上 未満	±0.2	<input checked="" type="checkbox"/> mm <input type="checkbox"/> INCH	TITLE:				
			EC NO. JD2001-1040 DRWN: S.AKIYAMA CHK: J.MIYAZAWA APPR: H.IKESUGI	FINISH 仕上げ	30 OVER 以上	±0.25	DRAWN BY & DATE <i>S. Akizawa</i> / 01/25	COMPACT ROBOT CONN. (CRC) REC. PIN HS'G ASS'Y				
				WIRE RANGE 適用電線範囲	ANGLE 角度	±0.3	CHECKED BY & DATE <i>J. Miyazawa</i> / 01/25	MOLEX INCORPORATED				
				INS. RANGE 被覆外径		±3°	APPROVED BY & DATE <i>Yo.Ito</i>	MATERIAL NO. SEE CHART	DRAWING NO. SD-51233-007	SHEET NO. 3 OF 4		
THIS DRAWING CONTAINS INFORMATION THAT IS PROPRIETARY TO MOLEX INCORPORATED AND SHOULD NOT BE USED WITHOUT WRITTEN PERMISSION.											SIZE B	

DWG. NO.
SD-51233-007



嵌合図 (中継タイプ)
CROSS-SECTION VIEW OF MATED CONNECTOR
(WIRE TO WIRE TYPE)

DO NOT SCALE DRAWING

EC NO. DRAWN: CHK'g APPR:	EC NO. DRAWN: CHK'g APPR:	EC NO. DRAWN: CHK'g APPR:	REVISED 01/10/04	MATERIAL 材料	GENERAL TOLERANCES: (UNLESS SPECIFIED) 一般公差	SCALE 2-1	DESIGN UNITS <input checked="" type="checkbox"/> mm <input type="checkbox"/> INCH	THIRD ANGLE PROJECTION <input type="checkbox"/> mm <input checked="" type="checkbox"/> INCH	DIMENSIONS: <input type="checkbox"/> mm <input type="checkbox"/> INCH <input checked="" type="checkbox"/> mm ONLY	SHT REVISE ON CAD ONLY	REV
			EC NO. J2002-0786 DRAWN: S.AKIYAMA CHK'g: J.MIYAZAWA APPR: YO.IITO								
A	0	0	RELEASED 01/02/16	FINISH 仕上げ	10 OVER 以上	30 UNDER 未満	±0.25	APPROVED BY & DATE <i>J. Miyazawa</i> / 3/06	MATERIAL NO. SEE CHART	DRAWING NO. SD-51233-007	SHEET NO. 4 OF 4
			EC NO. JD2001-1040 DRAWN: S.AKIYAMA CHK'g: J.MIYAZAWA APPR: H.IKESUGI								
			INS. RANGE 被覆外径	WIRE RANGE 適用導線範囲	30 OVER 以上	ANGLE 角度	±3°	CAD FILE NAME 51233007.S04			SIZE B

THIS DRAWING CONTAINS INFORMATION THAT IS PROPRIETARY TO MOLEX INCORPORATED AND SHOULD NOT BE USED WITHOUT WRITTEN PERMISSION.