

PLEASE CHECK WWW.MOLEX.COM FOR LATEST PART INFORMATION

Part Number: [0039348163](#)
Status: **Active**
Overview: [minifit_jr](#)
Description: 4.20mm (.165") Pitch Mini-Fit Jr.™ Header, Dual Row, Right Angle, with Flange, 16 Circuits, 66 Nylon 94V-0, Tin Plating

Documents:

[3D Model](#) [Product Specification PS-5557-001 \(PDF\)](#)
[Drawing \(PDF\)](#) [RoHS Certificate of Compliance \(PDF\)](#)

Agency Certification

CSA	LR19980
TUV	R72081037
UL	E29179

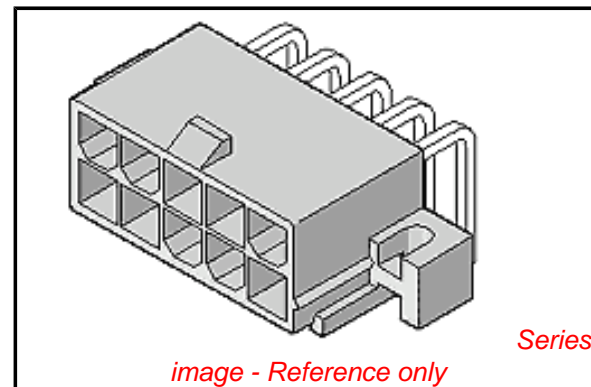
General

Product Family	PCB Headers
Series	5569
Application	Wire-to-Board
Comments	Current = 13A max. per circuit when header is mated to a receptacle loaded with 45750 Mini-Fit Plus HCS™ Crimp Terminal Crimped to to 16 AWG wire. . See Molex Product specification PS-5556-001 for additional current de-rating information.

Overview [minifit_jr](#)
Product Name Mini-Fit Jr.™

Physical

Breakaway	No
Circuits (Loaded)	16
Circuits (maximum)	16
Circuits Detail	16
Color - Resin	Natural
Durability (mating cycles max)	30
First Mate / Last Break	No
Flammability	94V-2
Glow-Wire Compliant	No
Guide to Mating Part	No
Keying to Mating Part	None
Lock to Mating Part	Yes
Material - Metal	Brass
Material - Plating Mating	Tin
Material - Plating Termination	Tin
Material - Resin	Nylon
Number of Rows	2
Orientation	Right Angle
PC Tail Length (in)	0.138 In
PC Tail Length (mm)	3.50 mm
PCB Locator	No
PCB Retention	Yes
PCB Thickness Recommended (in)	0.063 In
PCB Thickness Recommended (mm)	1.78 mm
Packaging Type	Bag
Pitch - Mating Interface (in)	0.165 In
Pitch - Mating Interface (mm)	4.20 mm
Pitch - Term. Interface (in)	0.165 In



EU RoHS

ELV and RoHS Compliant
REACH SVHC
Not Reviewed
Halogen-Free Status
Not Reviewed

China RoHS



Need more information on product environmental compliance?

Email productcompliance@molex.com
For a multiple part number RoHS Certificate of Compliance, [click here](#)

Please visit the [Contact Us](#) section for any non-product compliance questions.

Search Parts in this Series

[5569Series](#)

Mates With

[5557](#) Mini-Fit Jr.™ Receptacle Housing

Pitch - Term. Interface (mm)	4.20 mm
Plating min: Mating (μ in)	160
Plating min: Mating (μ m)	4
Plating min: Termination (μ in)	160
Plating min: Termination (μ m)	4
Polarized to Mating Part	Yes
Polarized to PCB	Yes
Shrouded	Fully
Stackable	No
Surface Mount Compatible (SMC)	No
Temperature Range - Operating	-40°C to +105°C
Termination Interface: Style	Through Hole

Electrical

Current - Maximum per Contact	13A
Voltage - Maximum	600V

Material Info

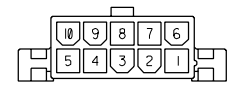
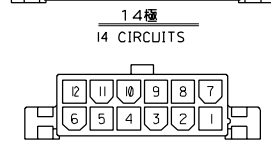
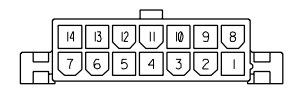
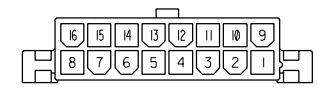
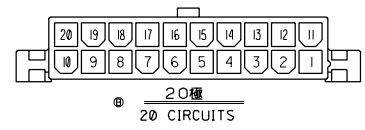
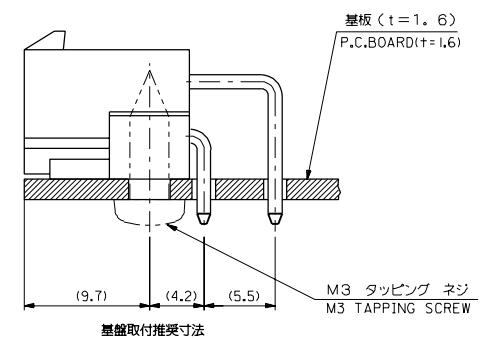
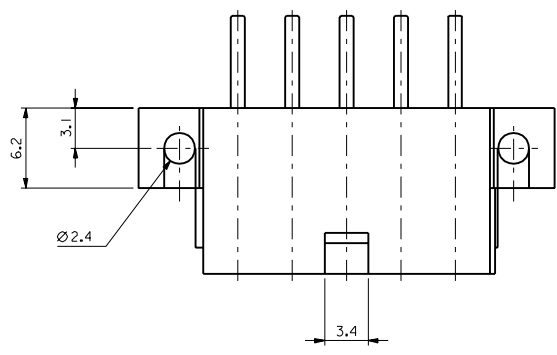
Old Part Number	5569-16B1-210
-----------------	---------------

Reference - Drawing Numbers

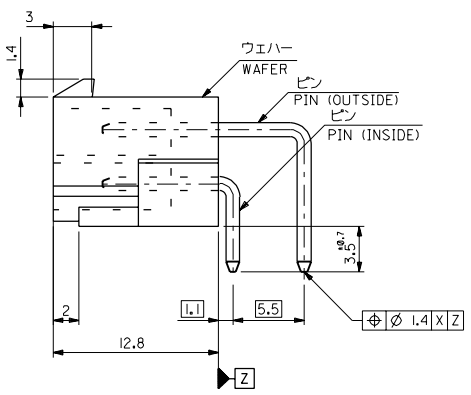
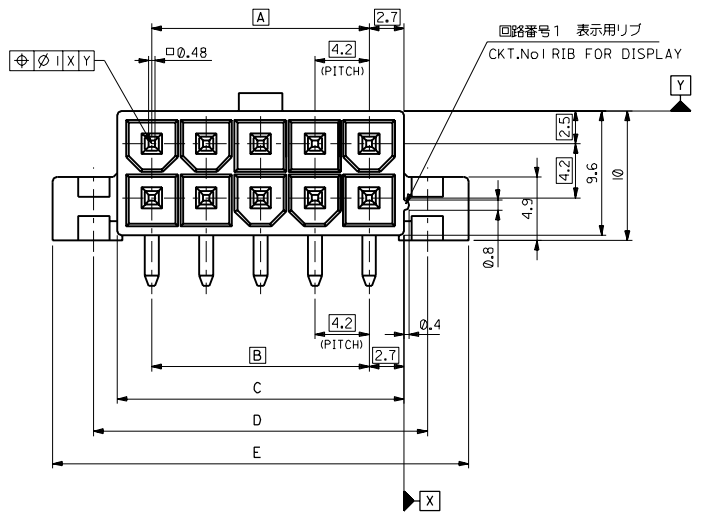
Product Specification	PS-5557-001, RPS-5569-001
Sales Drawing	SD-5569-NB1-*

This document was generated on 05/21/2010

PLEASE CHECK WWW.MOLEX.COM FOR LATEST PART INFORMATION

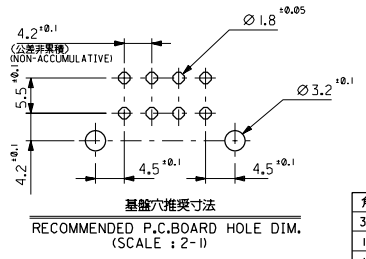


種別別レイアウト図
LAYOUT ACCORDING TO CKT NO.
(SCALE : 2-1)



- 注記 NOTES
1. 嵌合相手 : 5577シリーズ
MATE WITH : 5577 SEREIS
 2. 材料及びメッキ
MATERIAL AND PLATING

ENG. NO.	ワエハー材料 MATERIAL FOR WAFER	ピン材料 MATERIAL FOR PIN	ピンのメッキ PLATING FOR PIN
5569-NB1	ナイロン66, UL94V-2 NYLON66, UL94V-2	黄銅 (D1.07)	銅下地鍍メッキ TIN OVER COPPER
5569-NB1-210	ナイロン66, UL94V-0 NYLON66, UL94V-0		



①	53.2	46.8	43.2	37.8	37.8	39-34-8203	5569-20B1-210	20
②	44.8	38.4	34.8	29.4	29.4	39-34-8163	5569-16B1-210	16
③	40.6	34.2	30.6	25.2	25.2	39-34-8143	5569-14B1-210	14
						39-34-2141	5569-14B1	
	36.4	30	26.4	21	21	39-34-2121	5569-12B1	12
	32.2	25.8	22.2	16.8	16.8	39-34-2101	5569-10B1	10
	E	D	C	B	A	EDP NO.	ENG. NO.	NO. OF CKTS.

角度 ANGLE	±3°					材料 注記3 参照 REFER TO NOTES3	MOLEX JAPAN CO., LTD. 日本モレックス株式会社
30以上	±4°	B	変更	REVISION	DATE	体上打 FINISH	
10以上 30未満	±5°	A	変更	REVISION	DATE	注記3 参照 REFER TO NOTES3	REVISE ONLY ON CAD SYSTEM
10未満	±8°	0	変更	REVISION	DATE	適用電線番号 WIRE RANGE	TITLE 名称 NEW MINI. FIT CONN. WAFFER ASS'Y WITH FLANGE RIGHT ANGLE
10 UNDER	±8°	0	変更	REVISION	DATE	被覆径 INS. RANGE	DWG. NO.
総公差 GENERAL TOLERANCES						DRAWN BY 96/9/8 S.SUEDA	SD-5569-NB1-*
						CHK'D BY 96/9/7 M.SANO	REV
						TAPPED BY 96/9/7 M.FENOMOTO	B
						SCALE 4 : 1	