

**PLEASE CHECK WWW.MOLEX.COM FOR LATEST PART INFORMATION**

**Part Number:** **0678380806**  
**Status:** **Active**  
**Description:** Stacked Modular Jack with lightpipes, Right Angle, with Press-Fit Pegs, with Side Panel Grounding Tabs and Inner Shield Ground Tabs, 8/2, 16 Ports, Lead free

**Documents:**

[3D Model](#) [Product Specification PS-67838-002 \(PDF\)](#)  
[Drawing \(PDF\)](#) [RoHS Certificate of Compliance \(PDF\)](#)

**General**

Product Family	Modular Jacks/Plugs
Series	67838
Comments	With Lightpipes
Component Type	PCB Jack
Magnetic	No
Performance Category	3
Power over Ethernet (PoE)	N/A
Product Name	RJ45

**Physical**

Boot Color	N/A
Color - Resin	Black, Clear
Durability (mating cycles max)	500
Inverted / Top Latch	Yes
Keying to Mating Part	None
Lightpipes/LEDs	Lightpipes
Material - Metal	Phosphor Bronze
Material - Plating Mating	Gold
Material - Plating Termination	Tin
Material - Resin	Polycarbonate, Polyester
Orientation	Right Angle (Side Entry)
PCB Locator	Yes
PCB Retention	Yes
Packaging Type	Tray
Pitch - Mating Interface (in)	0.050 In
Pitch - Mating Interface (mm)	1.27 mm
Pitch - Term. Interface (in)	0.050 In
Pitch - Term. Interface (mm)	1.27 mm
Ports	16
Positions / Loaded Contacts	8/2
Surface Mount Compatible (SMC)	No
Temperature Range - Operating	-40°C to +70°C
Termination Interface: Style	Through Hole
Waterproof / Dustproof	No
Wire/Cable Type	N/A

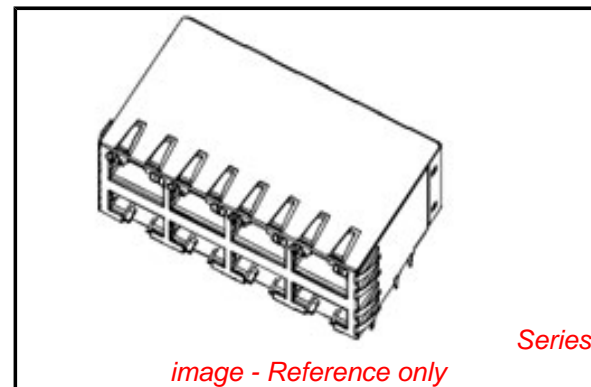
**Electrical**

Current - Maximum per Contact	1.5A
Grounding to PCB	Yes
Grounding to Panel	Panel Ground Tab
Shielded	Yes
Voltage - Maximum	150V AC (RMS)

**Material Info**

**Reference - Drawing Numbers**

Product Specification	PS-67838-002
-----------------------	--------------



**EU RoHS**

**ELV and RoHS  
Compliant**  
**REACH SVHC  
Not Reviewed**  
**Halogen-Free  
Status**

**China RoHS**



**Need more information on product  
environmental compliance?**

Email [productcompliance@molex.com](mailto:productcompliance@molex.com)  
For a multiple part number RoHS Certificate of Compliance, [click here](#)

Please visit the [Contact Us](#) section for any non-product compliance questions.

**Search Parts in this Series**

67838Series

**Mates With**

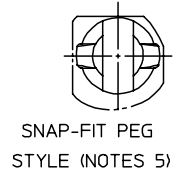
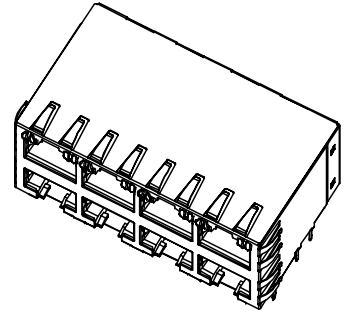
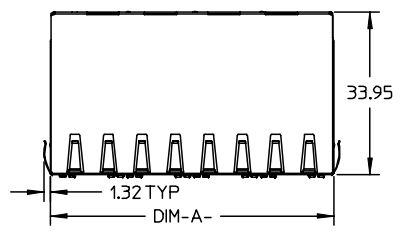
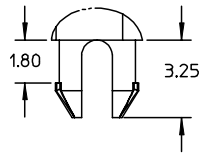
FCC 68 Plugs

**Use With**

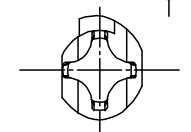
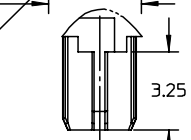
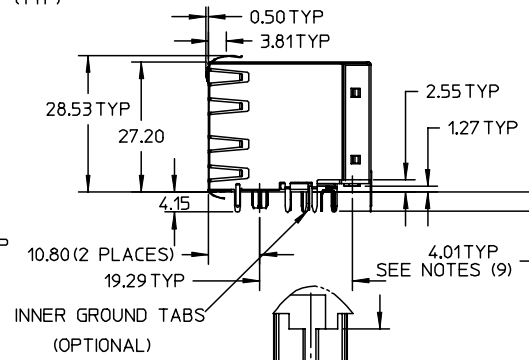
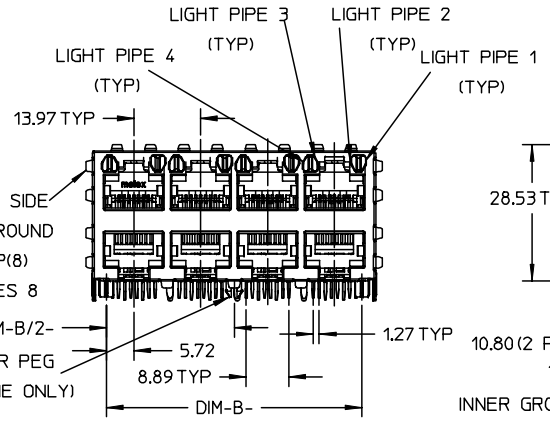
Shielded RJ45 Plugs

This document was generated on 06/07/2010

**PLEASE CHECK [WWW.MOLEX.COM](http://WWW.MOLEX.COM) FOR LATEST PART INFORMATION**



SNAP-FIT PEG  
STYLE (NOTES 5)



PRESS-FIT PEG  
STYLE (NOTES 5)

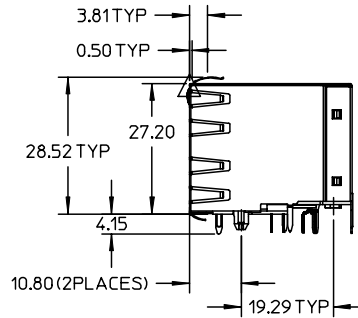
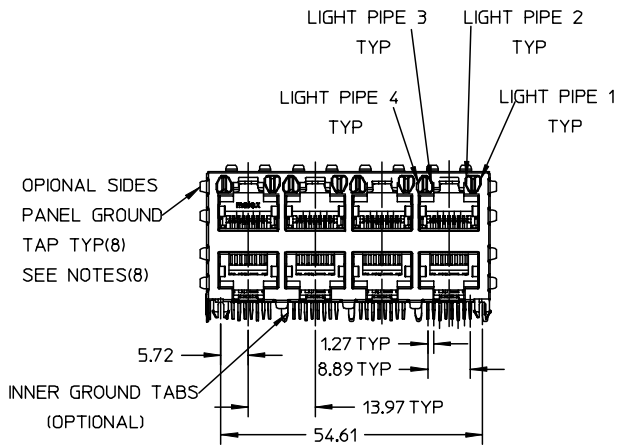
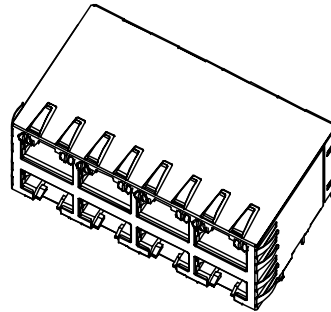
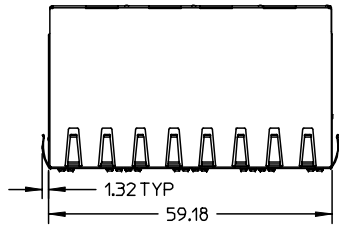
ASSEMBLY MATERIAL No.	No. OF PORTS	PEG STYLE	DIM-A	DIM-B	SIDE PANEL GROUND TABS	INNER GROUND TABS
67838-0081	8 (2X4)	SNAP-FIT	59.18	53.34	YES	YES
67838-2081	8 (2X4)	SNAP-FIT	59.18	53.34	NO	YES
67838-3081	8 (2X4)	SNAP-FIT	59.18	53.34	YES	NO
67838-4081	8 (2X4)	SNAP-FIT	59.18	53.34	NO	NO
67838-0084	8 (2X4)	PRESS-FIT	59.18	53.34	YES	YES
67838-2084	8 (2X4)	PRESS-FIT	59.18	53.34	NO	YES
67838-3084	8 (2X4)	PRESS-FIT	59.18	53.34	YES	NO
67838-4084	8 (2X4)	PRESS-FIT	59.18	53.34	NO	NO
67838-0082	12(2X6)	SNAP-FIT	87.12	81.28	YES	YES
67838-2082	12(2X6)	SNAP-FIT	87.12	81.28	NO	YES
67838-3082	12(2X6)	SNAP-FIT	87.12	81.28	YES	NO
67838-4082	12(2X6)	SNAP-FIT	87.12	81.28	NO	NO
67838-0085	12(2X6)	PRESS-FIT	87.12	81.28	YES	YES
67838-2085	12(2X6)	PRESS-FIT	87.12	81.28	NO	YES
67838-3085	12(2X6)	PRESS-FIT	87.12	81.28	YES	NO
67838-4085	12(2X6)	PRESS-FIT	87.12	81.28	NO	NO
67838-0083	16(2X8)	SNAP-FIT	115.06	109.22	YES	YES
67838-2083	16(2X8)	SNAP-FIT	115.06	109.22	NO	YES
67838-3083	16(2X8)	SNAP-FIT	115.06	109.22	YES	NO
67838-4083	16(2X8)	SNAP-FIT	115.06	109.22	NO	NO
67838-0806	16(2X8)	PRESS-FIT	115.06	109.22	YES	YES
67838-2806	16(2X8)	PRESS-FIT	115.06	109.22	NO	YES
67838-3806	16(2X8)	PRESS-FIT	115.06	109.22	YES	NO
67838-4806	16(2X8)	PRESS-FIT	115.06	109.22	NO	NO

NOTES:

- MATERIAL:**  
HOUSING: POLYESTER(PBT), GLASS FILLED,UL94V-0.COLOR: BLACK.  
LIGHT PIPES: POLYCARBONATE,UL94V-0. COLOR: CLEAR.  
TERMINALS: PHOSPHOR BRONZE.  
SHIELD: BRASS.
- PLATING:**  
TERMINALS: 50u" MIN. GOLD PLATE AND 50u" MIN.PURE TIN PLATE OVER 50u" MIN. NICKEL UNDERPLATE.  
SHIELD: SELECTIVE 50u" MIN. PURE TIN PLATE AT SOLDERING TAILS OVER 50u" MIN. NICKEL UNDERPLATE.
- PRODUCT SPECIFICATION:** PS-67838-002.
- PACKAGING:** CONNECTOR ASSEMBLE IN THERMOFORMED TRAY.
- CONNECTORS AVAILABLE WITH EITHER SNAP-FIT OR PRESS-FIT PEGS.
- CONFORMS TO FCC REGULATION PART 68.5 FOR MODULAR JACKS.
- P.C.B LAYOUT SHOWN AS RECOMMEND LAYOUT (SHEET 2).
- AVAILABLE WITH THE (8) PANEL GROUND TABS REMOVE ON EACH SIDE FOR SIDE TO SIDE STACKABILITY.
- TERMINAL LENGTH MAY BE DIFFERENT FROM TERMINAL TO TERMINAL.

NEW RELEASE EC NO: SH2006-0055 DRWN: DHU CHK: CHIK APPR: YTYAP	DESCRIPTION REV	QUALITY SYMBOLS	GENERAL TOLERANCES (UNLESS SPECIFIED)	SCALE 1:1	DESIGN UNITS METRIC	THIRD ANGLE PROJECTION	REVISE ON CAD ONLY	
		-0 -0.3	mm	INCH	DIMENSION STYLE		TITLE	
			4 PLACES ± ---	± ---	MM ONLY		STACKED MODULAR JACK WITH LIGHT PIPES LEAD-FREE	
			3 PLACES ± ---	± ---	DRAWN BY	DATE		
2 PLACES ± 0.25	± ---	DAVID HU	2005/08/10	MOLEX INCORPORATED				
1 PLACE ± 0.3	± ---	CHECKED BY	DATE					
		ANGULAR ± 1/2 °		HARVEY	2005/08/10	MATERIAL NO.	DOCUMENT NO.	SHEET NO.
		DRAFT WHERE APPLICABLE		APPROVED BY	DATE	SEE CHART	SD-67838-002	1 OF 4
		MUST REMAIN WITHIN DIMENSIONS		VINCENT	2005/08/10	THIS DRAWING CONTAINS INFORMATION THAT IS PROPRIETARY TO MOLEX INCORPORATED AND SHOULD NOT BE USED WITHOUT WRITTEN PERMISSION		





NOTES:

1.MATERIAL:

HOUSING: POLYESTER(PBT), GLASS FILLED,UL94V-0.COLOR: BLACK.  
 LIGHT PIPES: POLYCARBONATE,UL94V-0.COLOR: CLEAR.  
 TERMINALS: PHOSPHOR BRONZE.  
 SHIELD: BRASS.

2.PLATING:

TERMINALS: 50u" MIN. GOLD PLATE AND 50u" MIN.PURE TIN PLATE OVER  
 50u" MIN. NICKEL UNDERPLATE.  
 SHIELD: SELECTIVE 50u" MIN. PURE TIN PLATE AT SOLDERING  
 TAILS OVER 50u" MIN. NICKEL UNDERPLATE.

3.PRODUCT SPECIFICATION: PS-67838-002.

4.PACKAGING: CONNECTOR ASSEMBLE IN THERMOFORMED TRAY.

5.CONNECTORS AVAILABLE WITH PRESS-FIT PEGS ONLY.

6.CONFORMS TO FCC REGULATION PART 68.5 FOR MODULAR JACKS.

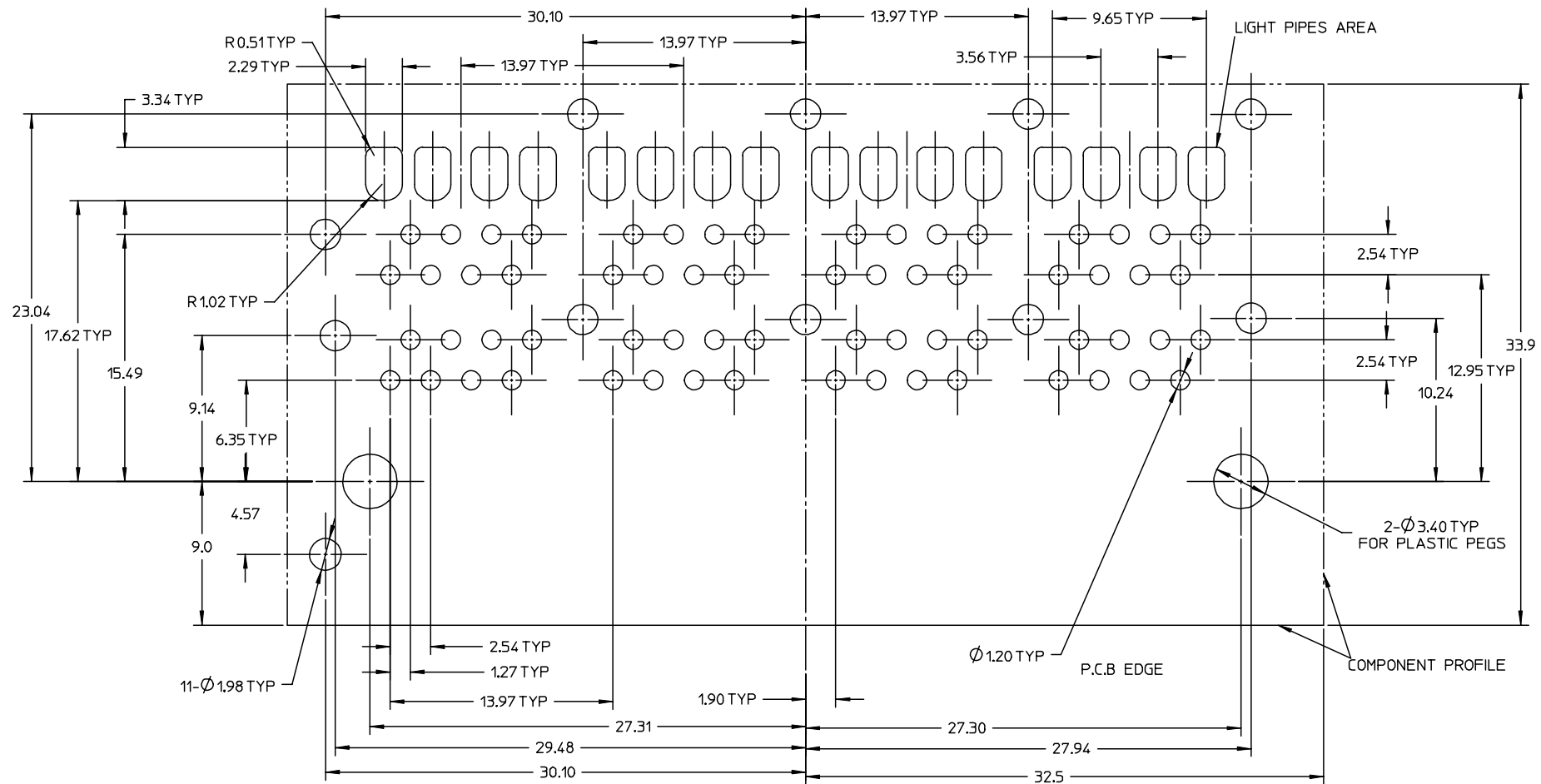
7.P.C.B LAYOUT SHOWN AS RECOMMEND LAYOUT (SHEET 4).

8.AVAILABLE WITH THE (8) PANEL GROUND TABS REMOVE ON EACH SIDE  
 FOR SIDE TO SIDE STACKABILITY.

9.TERMINAL LENGTH MAY BE DIFFERENT FROM TERMINAL TO TERMINAL.

ASSEMBLY MATERIAL NO.	NO. OF PORTS	PEGS STYLE	SIDE PANEL GROUND TABS	INNER SHIELD GROUND TABS
67838-0184	8(2X4)	SNAP-FIT	YES	YES
67838-2184	8(2X4)	SNAP-FIT	NO	YES
67838-3184	8(2X4)	SNAP-FIT	YES	NO
67838-4184	8(2X4)	SNAP-FIT	NO	NO

NEW RELEASE EC NO: SH2006-0055 DRWN:DHU 2005/10/24 CHKD: 2005/11/08 APPR: YTYAP 2005/11/09	QUALITY SYMBOLS	GENERAL TOLERANCES (UNLESS SPECIFIED)	SCALE 1:1	DESIGN UNITS METRIC	THIRD ANGLE PROJECTION	REVISE ON CAD ONLY
	▽ = 0 ▽ = 0	mm INCH 4 PLACES ± --- ± --- 3 PLACES ± --- ± --- 2 PLACES ± 0.25 ± --- 1 PLACE ± 0.3 ± --- ANGULAR ±1/2°	DIMENSION STYLE MM ONLY		TITLE	
		DRAFT WHERE APPLICABLE	DRAWN BY DATE		MOLEX INCORPORATED	
	REV	MUST REMAIN WITHIN DIMENSIONS	CHECKED BY DATE		MATERIAL NO. DOCUMENT NO. SHEET NO.	



RECOMMENDED P.C.B LAYOUT  
COMPONENT SIDE

- NOTES:
1. DIMENSION TOLERANCE: .XX +/- 0.05  
.X +/- 0.3.
  2. DIM-A- SEE THE SHEET 1.

NEW RELEASE EC NO: SH2006-0055 DRWN: DHU 2005/10/24 CHKD: 2005/11/08 APPR: YTYAP 2005/11/09	QUALITY SYMBOLS ▽ = 0 ▽ = 0 C = 0	GENERAL TOLERANCES (UNLESS SPECIFIED)		SCALE 1:1	DESIGN UNITS METRIC	THIRD ANGLE PROJECTION	REVISE ON CAD ONLY	
			mm	INCH	DIMENSION STYLE MM ONLY		TITLE	
		4 PLACES	± ---	± ---	DRAWN BY DATE		STACKED MODULAR JACK WITH LIGHT PIPES LEAD-FREE MOLEX INCORPORATED	
		3 PLACES	± ---	± ---	DAVID HU 2005/08/10			
2 PLACES	± 0.25	± ---	CHECKED BY DATE		MATERIAL NO. DOCUMENT NO. SHEET NO. SEE SHEET 3 SD-67838-002 4 OF 4			
1 PLACE	± 0.3	± ---	HARVEY 2005/08/10					
ANGULAR ±1/2°		DRAFT WHERE APPLICABLE		APPROVED BY DATE		THIS DRAWING CONTAINS INFORMATION THAT IS PROPRIETARY TO MOLEX INCORPORATED AND SHOULD NOT BE USED WITHOUT WRITTEN PERMISSION		
		MUST REMAIN WITHIN DIMENSIONS		VINCENT 2005/08/10		B		