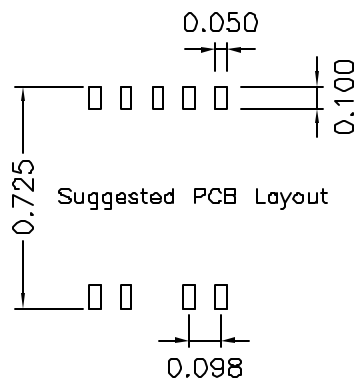
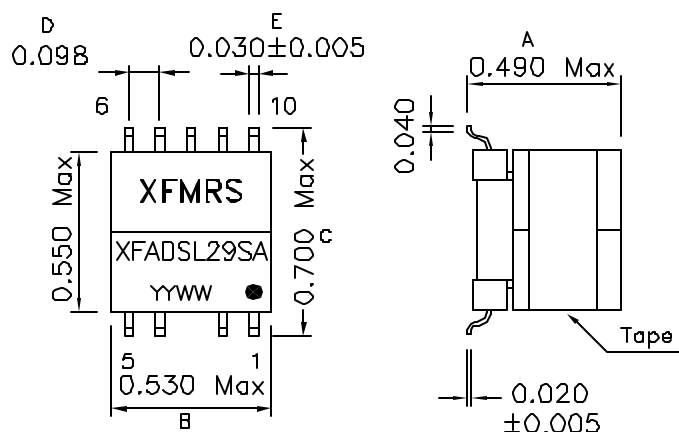


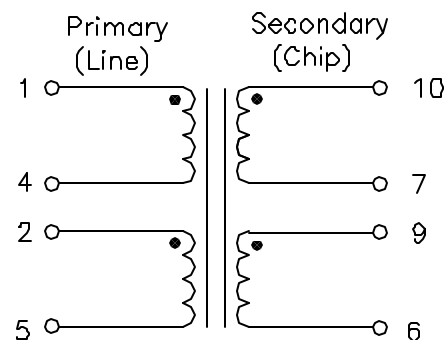
1. Mechanical Dimensions:



Notes:

- Solderability: Leads shall meet MIL-STD-202, Method 208D for solderability.
- Flammability: UL94V-0
- ASTM oxygen index: > 28%
- Temperature rating: 155°C. UL file E151556
- Operating Temperature Range: -10°C to +85°C
- UL1950 approved for the requirements of Supplementary Insulation with 300 working volts. UL file #E165866
- Pin #3 is removed.

2. Schematic:



3. Electrical Specifications:

Impedance: Designed to reflect 100 Ohms on the primary with 25 Ohms loaded on the secondary.

OCL: (Pins 1-5) 409.5uH ± 5% @ 10KHz, 0.1V tie P2-4

Q: (Pins 1-5) 10 Min @ 10KHz, 0.1V tie P2-4

Leakage L: (Pins 1-5) 10uH Max @ 100KHz, 0.1V (Short Pins 10-6, 4-2, 9-7)

Turns Ratio: (2-5):(10-7) 2:1 ± 1%

Turns Ratio: (2-5):(9-6) 2:1 ± 1%

Turns Ratio: (2-5):(1-4) 1:1 ± 1%

DC Res: (Pins 1-4, 2-5) 0.66 Ohms ± 10%

DC Res: (Pins 10-7, 9-6) 0.33 Ohms ± 10%

Insertion Loss: Pins 1-5 6.5dB Max @ 772KHz, 0dBm

Short Pins 2-4, 7-9 with 25 Ohms load from 10 to 6

Frequency Response: Pins 1-5 2.0dB Max @ 30KHz-1.5MHz, 0dBm

Short Pins 2-4, 7-9 with 25 Ohms load from 10 to 6

CW/W: Pins 1-10 25pF Max @ 10KHz, 1.0V tie Pins 2-4, 7-9

LB: 55dB Min. @ 20KHz to 1MHz

HIPOT: 1875Vrms Primary to Secondary, 1 Sec

Harmonic Distortion: 75.0dB Min @ 30KHz, 1.05Vrms on secondary

DOC. REV: A/2

PROPRIETARY Document is the property of XFMRs Group & is not allowed to be duplicated without authorization.

XFMRs Inc	Title: xDSL xfmr		
UNLESS OTHERWISE SPECIFIED TOLERANCES: .xxx ± 0.010 Dimensions in INCH	P/N: XFADSL29SA	REV. A	
	DWN. Juan Mao	May-28-04	
SHEET 1 OF 1	CHK. YK Liao	May-28-04	
	APP. Joe Huff	May-28-04	