

PLEASE CHECK WWW.MOLEX.COM FOR LATEST PART INFORMATION

Part Number: [0191980040](#)
Status: **Active**
Description: Avikrimp™ Block Spade Terminal for 10-12 AWG Wire

Documents:

[Drawing \(PDF\)](#) [RoHS Certificate of Compliance \(PDF\)](#)

Agency Certification

CSA LR18689
 UL E32244

General

Product Family Ring and Spade Terminals
 Series [19198](#)
 Crimp Quality Equipment Yes
 Mil-Spec N/A
 Product Name Avikrimp™
 Type Spade

Physical

Barrel Type Closed
 Flammability 94V-0
 Insulation Nylon (PA)
 Material - Plating Mating Tin
 Packaging Type Adhesive Tape on Reel
 Plating min: Mating (µin) 12
 Plating min: Mating (µm) 0.3
 Plating min: Termination (µin) 12
 Plating min: Termination (µm) 0.3
 Stud Size 5-6 (M3-3.5)
 Termination Interface: Style Crimp or Compression
 Wire Insulation Diameter 5.70mm (.225") max.
 Wire Size AWG 10, 12
 Wire Size mm² 3.30 - 5.00

Material Info

Old Part Number C-8105-06T

Reference - Drawing Numbers

Sales Drawing CCD80301, SD-19139-002

EU RoHS

ELV and RoHS Compliant

REACH SVHC

Not Reviewed

Halogen-Free

Status

Not Reviewed

China RoHS



Need more information on product environmental compliance?

Email productcompliance@molex.com
 For a multiple part number RoHS Certificate of Compliance, [click here](#)

Please visit the [Contact Us](#) section for any non-product compliance questions.

Search Parts in this Series

[19198Series](#)

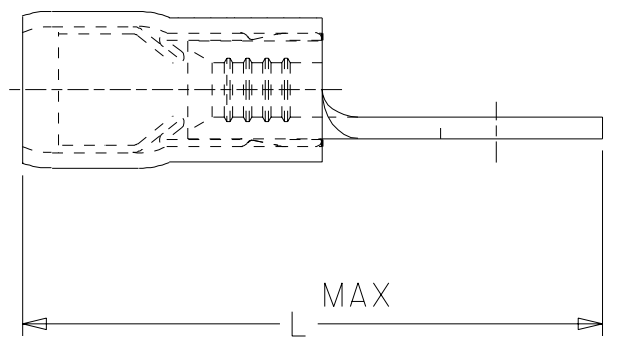
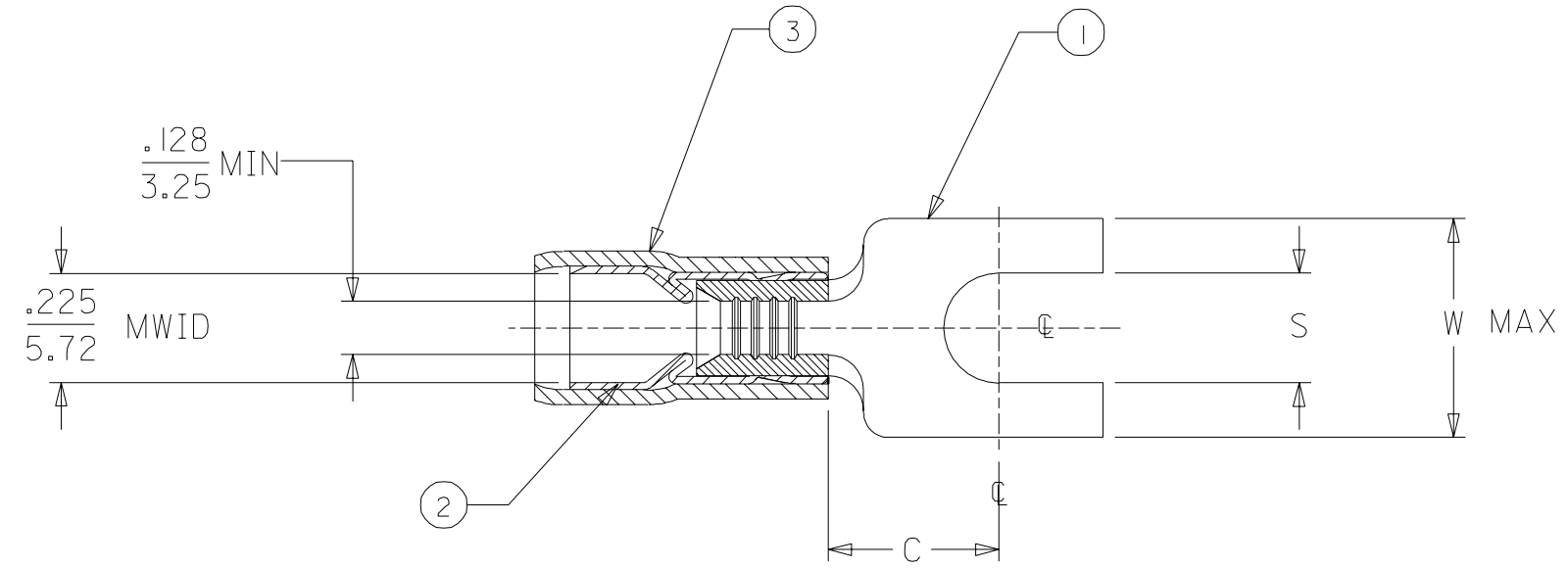
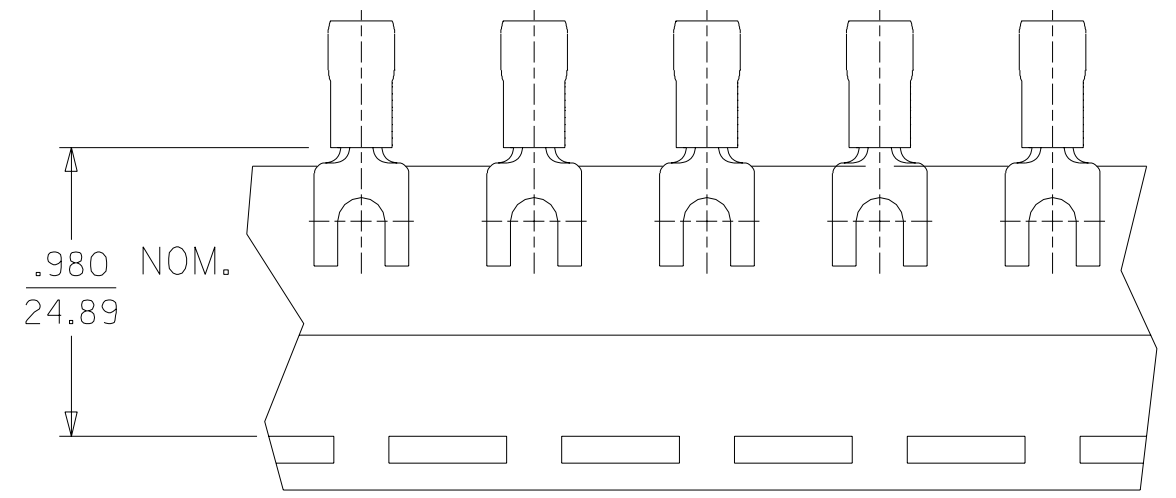
Application Tooling | FAQ

Tooling specifications and manuals are found by selecting the products below. Crimp Height Specifications are then contained in the Application Tooling Specification document.

Global

Description	Product #
Crimp Dies for MTA-100 Tape Applicator used in 3BF Press, MTA-105 Tape Applicator used in TM-2000™ Press, and ATP-301 Air Crimping Press for Mylar Tape Mounted Terminals	0192880179
Mini-Mac™ Applicator	0638851500

	10	9	8	7	6	5		
	MATERIAL NUMBER	ALTERNATE NUMBER	"L" MAX	STUD SIZE	"S"	"W" MAX	"C" MIN	PACKAGING
F	191980039	C-8105-06	1.090 (27.69)	6	.146 (3.71)	.320 (8.13)	.305 (7.75)	LOOSE PIECE
	191390060	C-8105-08	1.090 (27.69)	8	.173 (4.39)	.320 (8.13)	.305 (7.75)	
	191390061	C-8105-10	1.090 (27.69)	10	.198 (5.03)	.320 (8.13)	.305 (7.75)	
	191980037	C-8102-06	1.090 (27.69)	6	.146 (3.71)	.415 (10.41)	.305 (7.75)	
	191390057	C-8102-08	1.090 (27.69)	8	.173 (4.39)	.415 (10.41)	.305 (7.75)	
E	191980038	C-8102-10	1.090 (27.69)	10	.198 (5.03)	.415 (10.41)	.305 (7.75)	TAPE MOUNTED
	191980040	C-8105-06T	1.090 (27.69)	6	.146 (3.71)	.320 (8.13)	.305 (7.75)	
	191980042	C-8105-08T	1.090 (27.69)	8	.173 (4.39)	.320 (8.13)	.305 (7.75)	
	191980043	C-8105-10T	1.090 (27.69)	10	.198 (5.03)	.320 (8.13)	.305 (7.75)	
	191390058	C-8102-08T	1.090 (27.69)	8	.173 (4.39)	.415 (10.41)	.305 (7.75)	



NOTES:
 1. MATERIAL: COPPER .040 THICK.
 PLATING: ELECTROPLATE TIN
 2. FERRULE: TIN-PLATED BRASS
 3. INSULATION: YELLOW NYLON.
 4. MWID=MAXIMUM WIRE INSULATION DIA.
 5. ALL DIMENSIONS IN INCHES/(MM).

CUSTOMER DRAWING

A	REDRAWN TO CAD ETC2001-0219 00/12/14 EDB
LTR.	REVISIONS

DIMENSIONS SHOWN (METRIC) INCH		REVISE ONLY ON CAD SYSTEM													
UNLESS OTHERWISE SPECIFIED TOLERANCES: ANGULAR ± 1/2°		TITLE BLOCK SPADE TONGUE TERMINAL 22-18 AWG AVIKRIMP, 800-SERIES													
<table border="1"> <thead> <tr> <th></th> <th>INCH</th> <th>METRIC</th> </tr> </thead> <tbody> <tr> <td>3 PLACE</td> <td>± .005</td> <td>± ---</td> </tr> <tr> <td>2 PLACE</td> <td>± .01</td> <td>± 0.13</td> </tr> <tr> <td>1 PLACE</td> <td>± ---</td> <td>± 0.25</td> </tr> </tbody> </table>			INCH	METRIC	3 PLACE	± .005	± ---	2 PLACE	± .01	± 0.13	1 PLACE	± ---	± 0.25	SHEET NO. 1 OF 1 DATE 00/11/17	
	INCH	METRIC													
3 PLACE	± .005	± ---													
2 PLACE	± .01	± 0.13													
1 PLACE	± ---	± 0.25													
DRAFT WHERE APPLICABLE MUST REMAIN WITHIN DIMENSIONS		PART NO. SEE TABLE DRWG. NO. SD-19139-002													
DRWG. BY EDB	CHK'D. BY HEB	FILE NAME SD19139002 DGN	THIS DRAWING CONTAINS INFORMATION THAT IS PROPRIETARY TO MOLEX-ETC INC. AND SHOULD NOT BE USED WITHOUT WRITTEN PERMISSION.												
APP'D. BY RWD	SCALE NO:NE	DIV. ET	SIZE B												