

PLEASE CHECK WWW.MOLEX.COM FOR LATEST PART INFORMATION

Part Number: **0191390013**
Status: **Active**
Description: Avikrimp™ Block Spade Terminal for 18-22 AWG Wire, Stud Size 8

Documents:

[Drawing \(PDF\)](#) [RoHS Certificate of Compliance \(PDF\)](#)

Agency Certification

CSA LR18689
 UL E32244

General

Product Family Ring and Spade Terminals
 Series 19139
 Crimp Quality Equipment Yes
 Mil-Spec N/A
 Product Name Avikrimp™
 Type Spade Block

Physical

Barrel Type Closed
 Flammability 94V-0
 Insulation Nylon (PA)
 Material - Plating Mating Tin
 Packaging Type Bag
 Plating min: Mating (µin) 100
 Plating min: Mating (µm) 2.5
 Plating min: Termination (µin) 100
 Plating min: Termination (µm) 2.5
 Stud Size 8 (M4)
 Termination Interface: Style Crimp or Compression
 Wire Insulation Diameter 3.56mm (.140")
 Wire Size AWG 18, 20, 22
 Wire Size mm² 0.25 - 1.50

Electrical

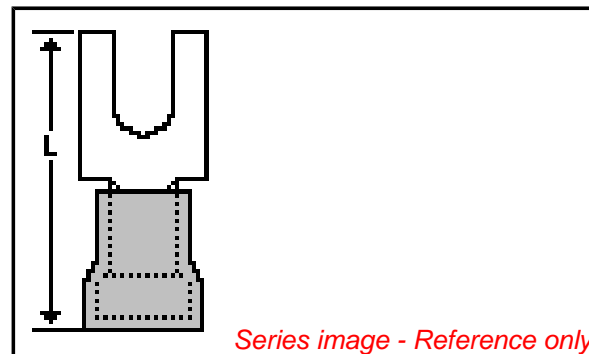
Voltage - Maximum 600V

Material Info

Old Part Number AA-834-08

Reference - Drawing Numbers

Sales Drawing SD-19139-001



EU RoHS

ELV and RoHS Compliant
REACH SVHC
 Not Reviewed
Halogen-Free Status
 Not Reviewed

China RoHS



Need more information on product environmental compliance?

Email productcompliance@molex.com
 For a multiple part number RoHS Certificate of Compliance, [click here](#)

Please visit the [Contact Us](#) section for any non-product compliance questions.

Search Parts in this Series

19139Series

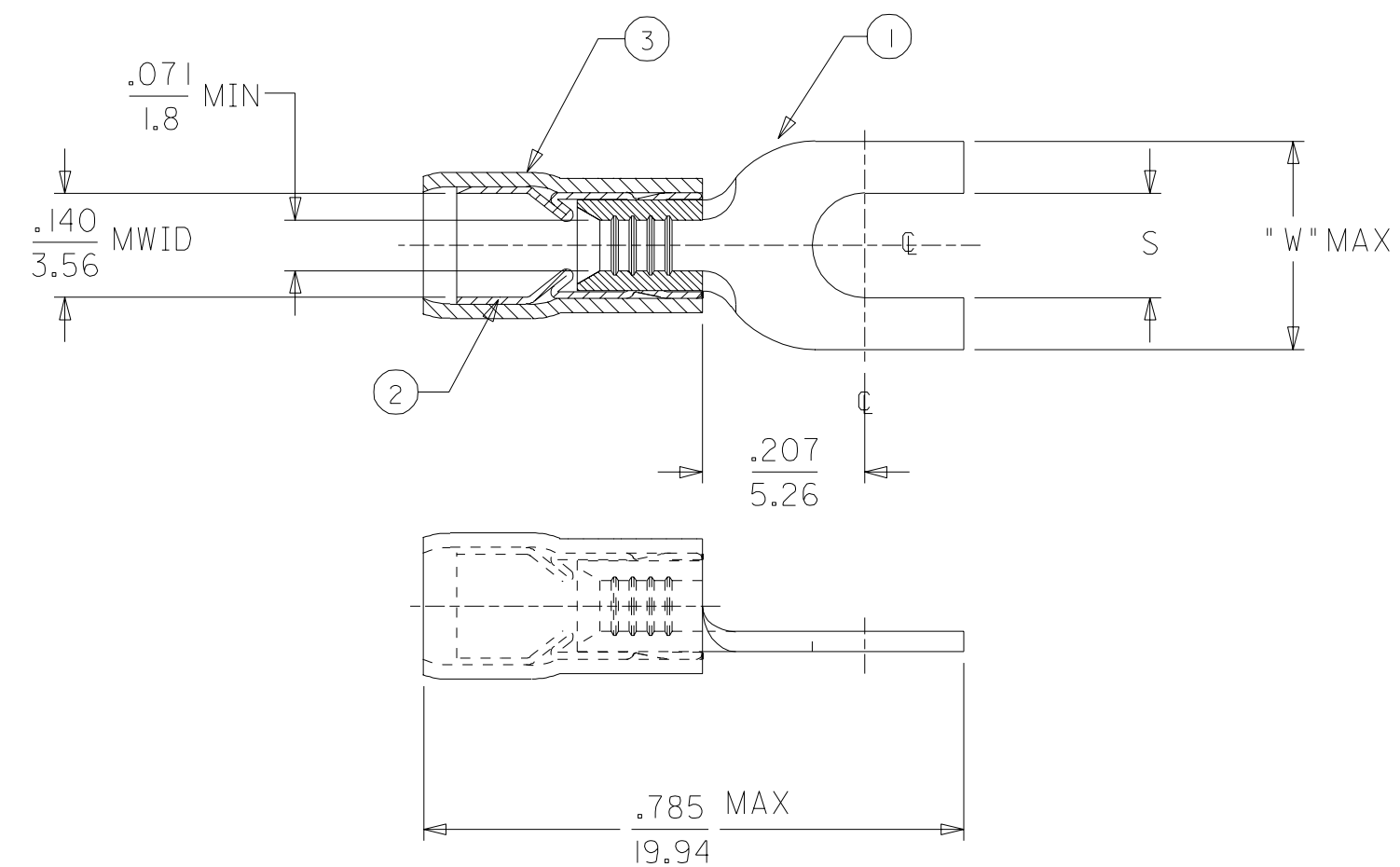
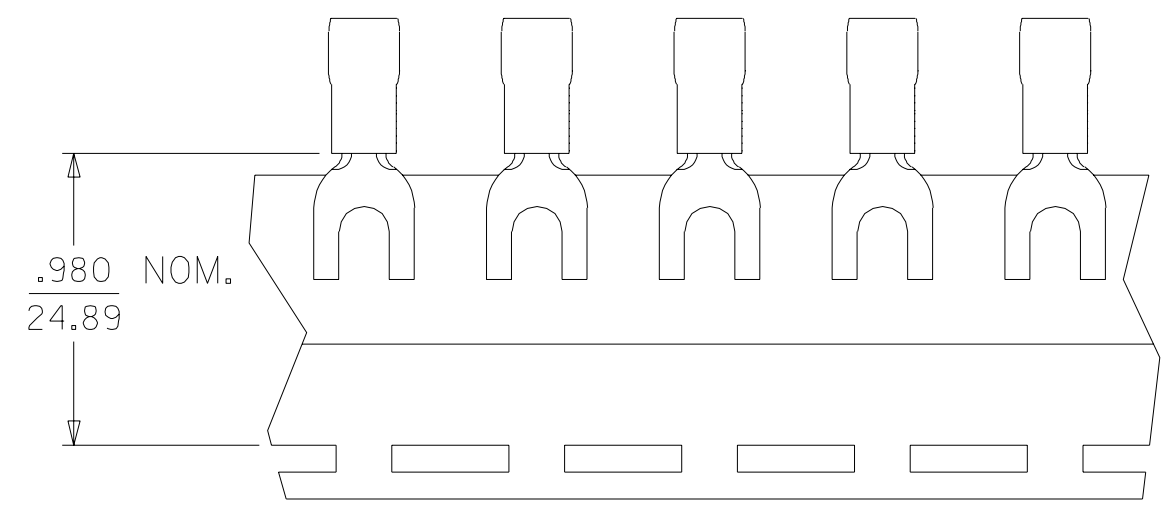
Application Tooling | FAQ

Tooling specifications and manuals are found by selecting the products below. Crimp Height Specifications are then contained in the Application Tooling Specification document.

Global

Description	Product #
Hand Crimp Tool	0640010100
Hand Crimp Tool	0640011200
Crimp Head for the AT-200™ Pneumatic Hand Tool	0640050100
Crimp Head for the AT-200™ Pneumatic Hand Tool	0640051200

MATERIAL NUMBER	ALTERNATE NUMBER	STUD SIZE	"S"	"W"	PACKAGING
191390009	AA-834-04	4	.119/(3.02)	.291 (7.39)	LOOSE PIECE
191390011	AA-834-06	6	.146/(3.71)	.291 (7.39)	
191390013	AA-834-08	8	.173/(4.39)	.291 (7.39)	
191390015	AA-834-10	10	.198/(5.03)	.291 (7.39)	
191390016	AA-838-04	4	.119/(3.02)	.245 (6.23)	
191390018	AA-838-06	6	.146/(3.71)	.245 (6.23)	TAPE MOUNTED
191390010	AA-834-04T	4	.173/(4.39)	.291 (7.39)	
191390012	AA-834-06T	6	.146/(3.71)	.291 (7.39)	
191390014	AA-834-08T	8	.173/(4.39)	.291 (7.39)	
191390017	AA-838-04T	4	.119/(3.02)	.245 (6.23)	
191390019	AA-838-06T	6	.146/(3.71)	.245 (6.23)	



NOTES:
 1. MATERIAL: COPPER .028 THICK
 PLATING: ELECTROPLATE TIN
 2. FERRULE: TIN-PLATED BRASS
 3. INSULATION: RED NYLON
 4. MWID=MAXIMUM WIRE INSULATION DIA.
 5. ALL DIMENSIONS IN INCHES/(MM).

CUSTOMER DRAWING

A	REDRAWN TO CAD ETC2001-0219 00/12/14 EDB
LTR.	REVISIONS

DIMENSIONS SHOWN (METRIC) INCH		REVISE ONLY ON CAD SYSTEM																			
UNLESS OTHERWISE SPECIFIED TOLERANCES: ANGULAR ± 1/2°		TITLE SPADE TONGUE TERMINAL 22-18 AWG AVIKRIMP, 800-SERIES																			
<table border="1"> <thead> <tr> <th></th> <th>INCH</th> <th>METRIC</th> </tr> </thead> <tbody> <tr> <td>3 PLACE</td> <td>± .005</td> <td>± ---</td> </tr> <tr> <td>2 PLACE</td> <td>± .01</td> <td>± 0.13</td> </tr> <tr> <td>1 PLACE</td> <td>± ---</td> <td>± 0.25</td> </tr> </tbody> </table>			INCH	METRIC	3 PLACE	± .005	± ---	2 PLACE	± .01	± 0.13	1 PLACE	± ---	± 0.25	<table border="1"> <tr> <td>molex ETC INC.</td> <td>SHEET NO.</td> <td>DATE</td> </tr> <tr> <td>PINELLAS PARK, FLA. 33781 U.S.A.</td> <td>1 OF 1</td> <td>00/11/17</td> </tr> </table>		molex ETC INC.	SHEET NO.	DATE	PINELLAS PARK, FLA. 33781 U.S.A.	1 OF 1	00/11/17
	INCH	METRIC																			
3 PLACE	± .005	± ---																			
2 PLACE	± .01	± 0.13																			
1 PLACE	± ---	± 0.25																			
molex ETC INC.	SHEET NO.	DATE																			
PINELLAS PARK, FLA. 33781 U.S.A.	1 OF 1	00/11/17																			
DRAFT WHERE APPLICABLE MUST REMAIN WITHIN DIMENSIONS		PART NO. SD-19139-001																			
DRWG. BY: EDB	CHK'D. BY: HEB	FILE NAME: SD19139001 DGN	THIS DRAWING CONTAINS INFORMATION THAT IS PROPRIETARY TO MOLEX-ETC INC. AND SHOULD NOT BE USED WITHOUT WRITTEN PERMISSION.																		
APP'D. BY: RWD	SCALE: 4: 1	DIV. ET	SIZE B																		