

PLEASE CHECK WWW.MOLEX.COM FOR LATEST PART INFORMATION

Part Number: [1301700019](#)
Status: **Active**
Description: Aero-Motive® BF Balancer, Weight Range 18-24 lbs

Documents:

[Drawing \(PDF\)](#) [RoHS Certificate of Compliance \(PDF\)](#)

General

Product Family	Tool Supports
Series	130170
Duty	Standard
Insulated	No
Product Name	Aero-Motive®
Type	Balancers
Woodhead	Yes

Physical

Cable Diameter	2.38mm (.094")
Cable Length	2.0m (6.56')
Cable Movement	Zero-Gravity
Drum Lock	Automatic Safety
Material - Housing	ABS
Mounting Style	Hanging - 360° Swivel
Packaging Type	Individual Carton
Travel Distance	2.0m (6.60')
Weight Range	8.2-10.9kg (18.0-24.0 lb)
Wire/Cable Type	StrandedGalvanized Steel Cable

Material Info

Old Part Number BF24

Reference - Drawing Numbers

Sales Drawing SD-130170-001



EU RoHS

RoHS Compliance

Not Required

REACH SVHC

Not Reviewed

Halogen-Free

Status

Not Reviewed

Need more information on product environmental compliance?

Email productcompliance@molex.com
 For a multiple part number RoHS Certificate of Compliance, [click here](#)

Please visit the [Contact Us](#) section for any non-product compliance questions.

China RoHS

Search Parts in this Series

[130170Series](#)

10

9

8

7

6

5

4

3

2

1

F

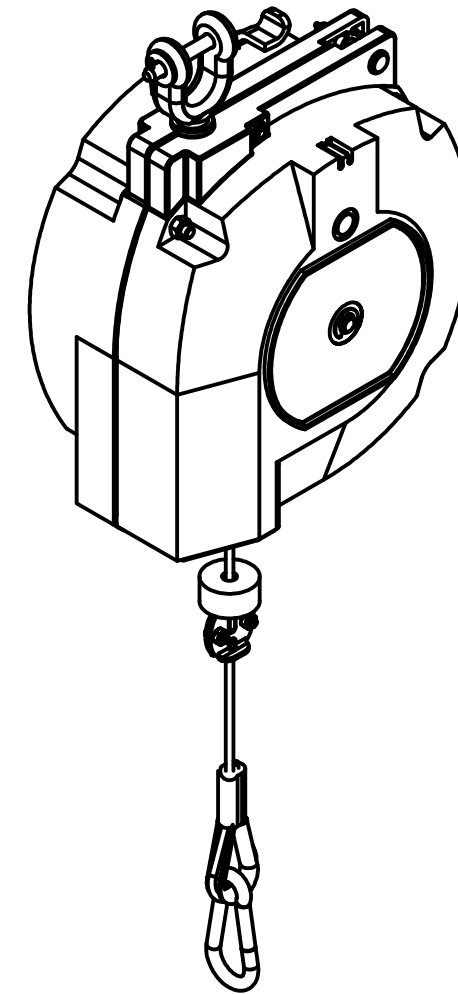
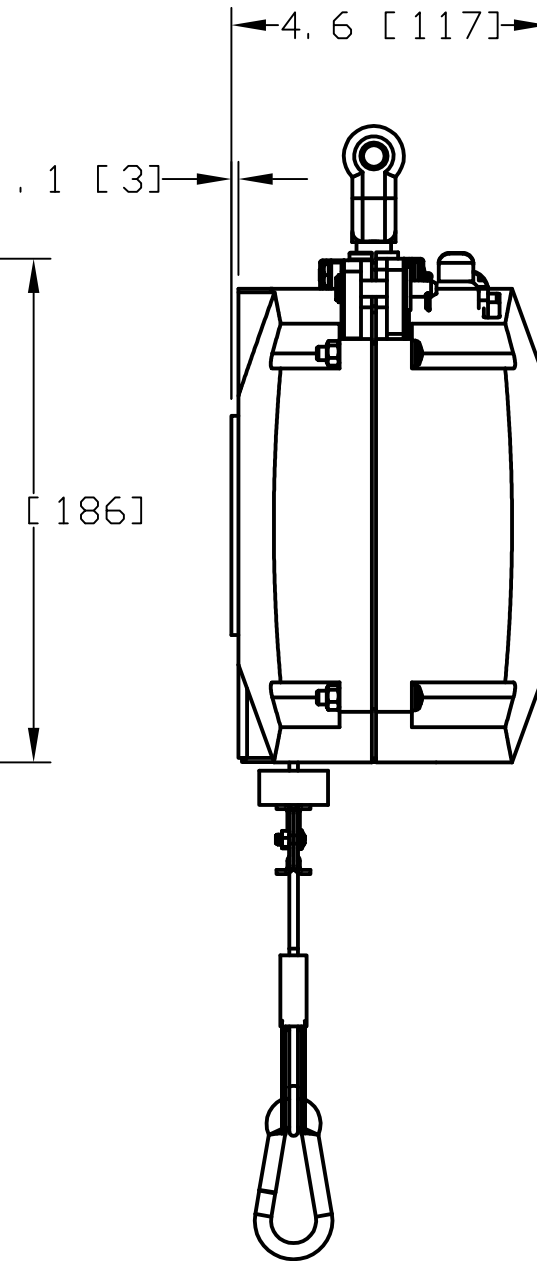
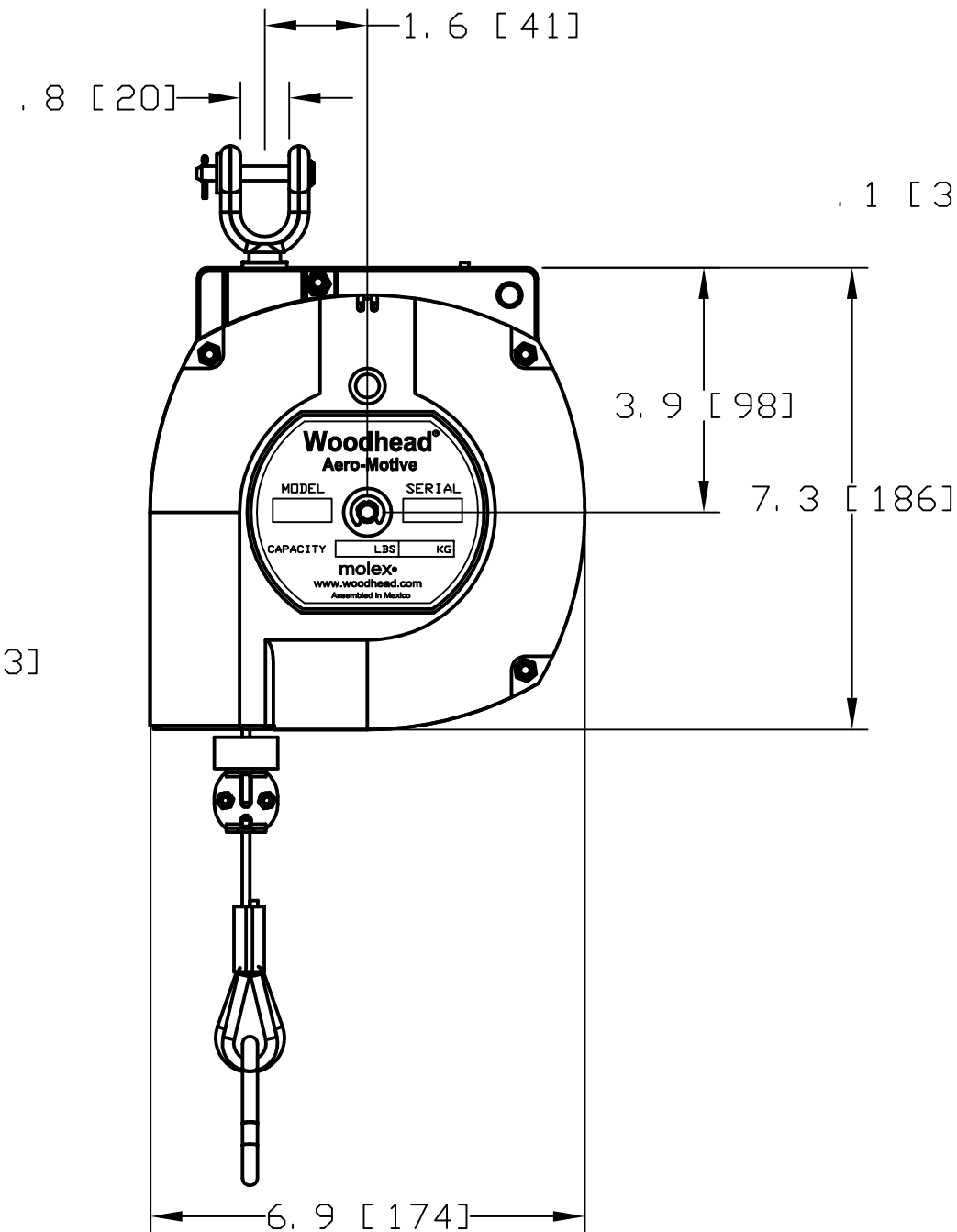
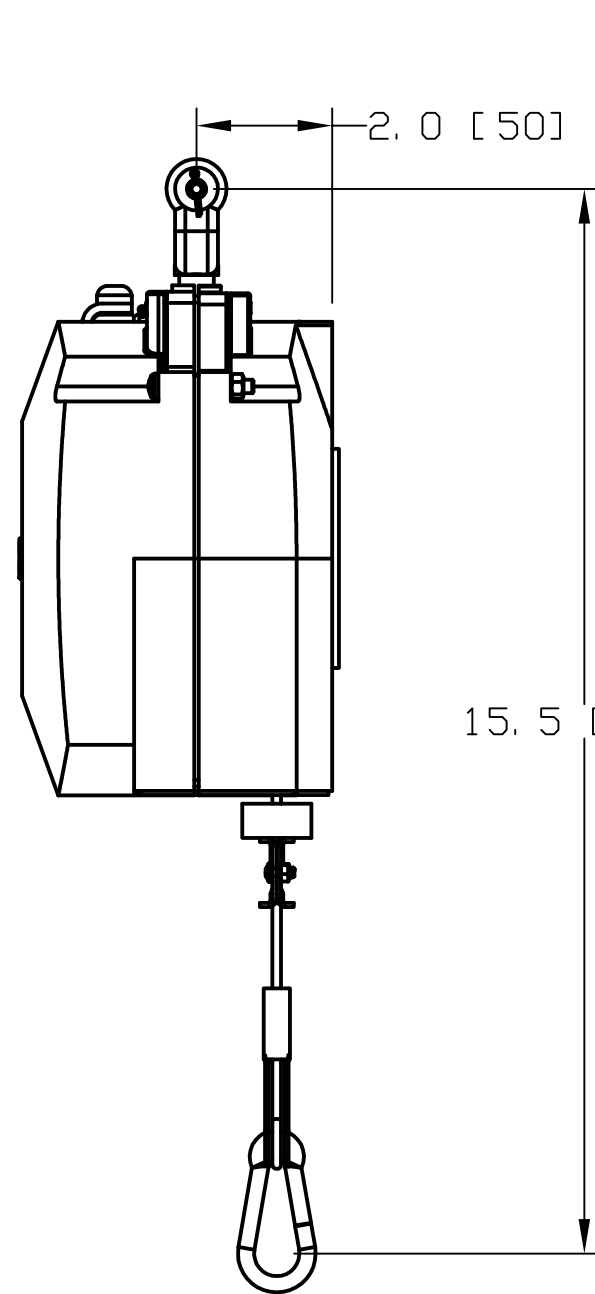
E

D

C

B

A



F

E

D

C

B

A

NOTES:

- BALANCERS ARE 100% INSPECTED & PRE-TENSIONED AT FACTORY.
- HOUSINGS ARE MADE OF GENERAL PURPOSE ABS TO MEET HARSH INDUSTRIAL ENVIRONMENTS.
- ALWAYS READ INSTRUCTIONS MANUAL BEFORE USING BALANCERS.
- BALANCERS ARE NOT TO BE USED AS RETRACTORS THEIR MAIN PURPOSE BEING TO BALANCE A LOAD AND NOT TO RETRACT ONE.
- IF A RATCHETING LOCK IS REQUIRED ADD AN "LR" AFTER "BF" FAMILY OF BALANCERS. EXAMPLE BFLR18 IS STANDARD BF18 BALANCER WITH A RATCHET LOCK FEATURE. FOR MORE INFO LOOK ON MAIN MATERIAL NUMBERS TABLE.
- THESE BALANCERS DO NOT COME EQUIPPED WITH A SAFETY CHAIN.

ALL DIMENSIONS ARE FOR REFERENCE ONLY.

RELEASE TO SALES EC NO: WNA2010-0114 DRWN: RHOTCA CHKD: DT APPR: DTITUS 9/9/09 2009/09/08 2009/09/30	QUALITY SYMBOLS ▽=0 ▽=0	GENERAL TOLERANCES (UNLESS SPECIFIED)		DIMENSION STYLE IN/MM		SCALE NTS	DESIGN UNITS INCH	THIRD ANGLE PROJECTION		
		4 PLACES	±NA	±NA	DRAWN BY	DATE	TITLE BF" AND "BFLR FAMILY OF BALANCERS			
		3 PLACES	±NA	±NA	RH	2009/09/08				
		2 PLACES	±NA	±NA	CHECKED BY	DATE	MOLEX INCORPORATED			
1 PLACE	±NA	±NA	DT	2009/09/08						
ANGULAR ±1°		DRAFT WHERE APPLICABLE MUST REMAIN WITHIN DIMENSIONS		APPROVED BY DTITUS	DATE 2009/09/30	MATERIAL NO. SEE TABLE	DOCUMENT NO. SD-130170-001	SHEET NO. 1 OF 2		
THIS DRAWING CONTAINS INFORMATION THAT IS PROPRIETARY TO MOLEX INCORPORATED AND SHOULD NOT BE USED WITHOUT WRITTEN PERMISSION										

10

9

8

7

6

5

4

3

2

1

F
E
D
C
B
A

Material Number:	Engineering Number:	Description:	Color:
1301700021	BF6	BF6 BALANCER [3-6LB/1.4-2.7KG],6.6FT	PUTTY
1301700023	BF9	BF9 BALANCER [6-9LB/2.7-4.1KG],6.6FT	PUTTY
1301700015	BF13	BF13 BALANCER [9-13LB/4.1-5.9KG],6.6FT	PUTTY
1301700017	BF18	BF18 BALANCER [13-18LB/5.9-8.2KG],6.6FT	PUTTY
1301700019	BF24	BF24 BALANCER [18-24LB/8.2-10.9KG],6.6FT	PUTTY
1301700032	BFL6	BF6 BALANCER WITH RATCHET LOCK	PUTTY
1301700033	BFL9	BF9 BALANCER WITH RATCHET LOCK	PUTTY
1301700025	BFL13	BF13 BALANCER WITH RATCHET LOCK	PUTTY
1301700027	BFL18	BF18 BALANCER WITH RATCHET LOCK	PUTTY
1301700030	BFL24	BF24 BALANCER WITH RATCHET LOCK	PUTTY

F
E
D
C
B
A

RELEASE TO SALES EC NO: WNA2010-0114 DRWN: RHOTCA CHKD: DT APPR: DTTITUS 9/9/09 2009/09/08 2009/09/30	DESCRIPTION REV	QUALITY SYMBOLS ▽=0 ▽C=0	GENERAL TOLERANCES (UNLESS SPECIFIED)		DIMENSION STYLE IN/MM		SCALE NTS	DESIGN UNITS INCH	THIRD ANGLE PROJECTION		
		4 PLACES ±NA ±NA 3 PLACES ±NA ±NA 2 PLACES ±NA ±NA 1 PLACE ±NA ±NA		DRAWN BY: RH DATE: 2009/09/08 CHECKED BY: DT DATE: 2009/09/08		TITLE: BF" AND "BFLR FAMILY OF BALANCERS					
		ANGULAR ±1°		APPROVED BY: DTTITUS DATE: 2009/09/30		MATERIAL NO. SEE TABLE		MOLEX INCORPORATED		SHEET NO. 2 OF 2	
		DRAFT WHERE APPLICABLE MUST REMAIN WITHIN DIMENSIONS		THIS DRAWING CONTAINS INFORMATION THAT IS PROPRIETARY TO MOLEX INCORPORATED AND SHOULD NOT BE USED WITHOUT WRITTEN PERMISSION		DOCUMENT NO. SD-130170-001					