

PLEASE CHECK WWW.MOLEX.COM FOR LATEST PART INFORMATION

Part Number: **0482064005**
Status: **Active**
Description: 1.00mm (.039") Pitch FB DIMM Socket, Vertical, with Beveled Metal Pins and White Latch, Nylon 4/6 Blue Housing, Gold (Au) Flash Plating, 2.67mm(.105") Solder Tail, 240 Circuits, Lead Free

Documents:

[3D Model](#) [Product Specification PS-48206-001 \(PDF\)](#)
[Drawing \(PDF\)](#) [RoHS Certificate of Compliance \(PDF\)](#)

Agency Certification

UL E29179

General

Product Family Memory Module Sockets
 Series [48206](#)
 Comments Latches in White
 Component Type Socket
 JEDEC Outline MO-256
 Product Name FB DIMM

Physical

Circuits (Loaded) 240
 Circuits (maximum) 240
 Color - Resin Blue, Natural
 Durability (mating cycles max) 25
 Entry Angle Vertical
 Flammability 94V-0
 Function Key None
 Keying to Mating Part Yes
 Material - Metal Brass, Phosphor Bronze
 Material - Plating Mating Gold
 Material - Plating Termination Tin
 Material - Resin High Temperature Thermoplastic
 PC Tail Length (in) 0.105 In
 PC Tail Length (mm) 2.67 mm
 PCB Locator Yes
 PCB Retention Yes
 PCB Thickness Recommended (in) 0.062 In
 PCB Thickness Recommended (mm) 1.57 mm
 Packaging Type Tray
 Pitch - Mating Interface (in) 0.039 In
 Pitch - Mating Interface (mm) 1.00 mm
 Pitch - Term. Interface (in) 0.039 In
 Pitch - Term. Interface (mm) 1.00 mm
 Plating min: Mating (µin) 2
 Plating min: Mating (µm) 0.05
 Plating min: Termination (µin) 100
 Plating min: Termination (µm) 2.50
 Temperature Range - Operating 60°C
 Termination Interface: Style Through Hole

Electrical

Current - Maximum per Contact 0.5A
 Voltage - Maximum 30V AC (RMS)/DC
 Voltage Key Center

EU RoHS

ELV and RoHS Compliant

REACH SVHC

Not Reviewed

Halogen-Free

Status

Not Reviewed

China RoHS



Need more information on product environmental compliance?

Email productcompliance@molex.com
 For a multiple part number RoHS Certificate of Compliance, [click here](#)

Please visit the [Contact Us](#) section for any non-product compliance questions.

Search Parts in this Series

[48206Series](#)

Mates With

JEDEC MO-256 modules

Material Info

Reference - Drawing Numbers

Product Specification

PS-48206-001

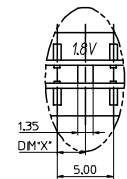
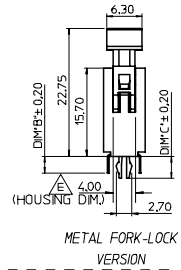
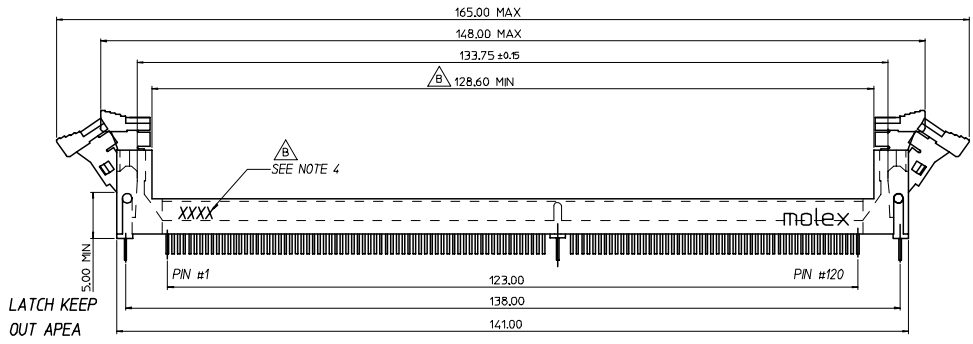
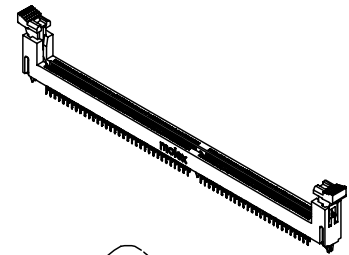
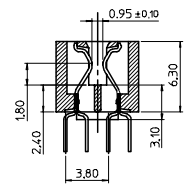
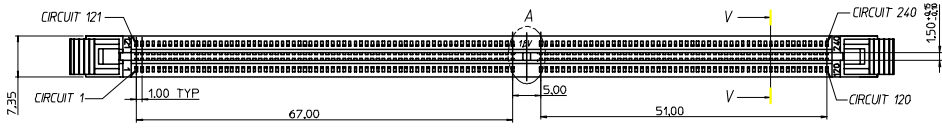
Sales Drawing

SD-48206-001

This document was generated on 04/02/2010

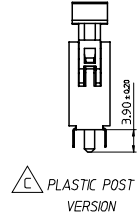
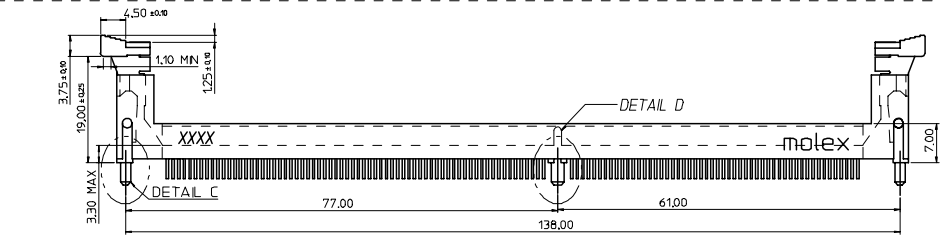
PLEASE CHECK WWW.MOLEX.COM FOR LATEST PART INFORMATION

10 9 8 7 6 5 4 3 2 1

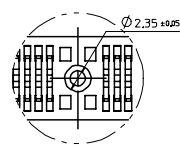
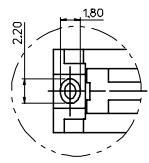


KEY LOCATION	VOLTAGE	DIM.'X'
CENTER	1.8V	2.50

KEY LOCATION	DIM.'B'	DIM.'C'	PCB THK
CENTER 1.8V	2.67	3.94	1.57
CENTER 1.8V	3.18	4.60	2.36



- NOTES:
- MATERIAL:
 - HOUSING: SEE TABLE, GLASS FIBER FILLED UL94V-0, COLOR: SEE TABLE.
 - LATCH: GLASS FIBER FILLED UL94V-0, COLOR: SEE TABLE.
 - BOARDLOCK: BRASS
 - CONTACT: PHOSPHOR BRONZE.
 - PLATING:
 - CONTACT AREA: GOLD PLATED, THICKNESS SEE TABLE.
 - SOLDER TAIL: 100 MICRONCH TIN OVER NICKEL OVERALL APPEARANCE: SEE TABLE.
 - FORKLOCK: 100 MICRONCH TIN OVER NICKEL OVERALL
 - VOLTAGE: 1.8V
 - DATE CODE= XXXX : YYWW
 - PRODUCT SPECIFICATION REFER TO PS-48206-001.
 - PACKAGING SPECIFICATION REFER TO PK-48206-001.
 - TEST SUMMARY: REFER TO TS-48206-001.
 - LEAD-FREE AND ROHS COMPLIANCE PRODUCT.

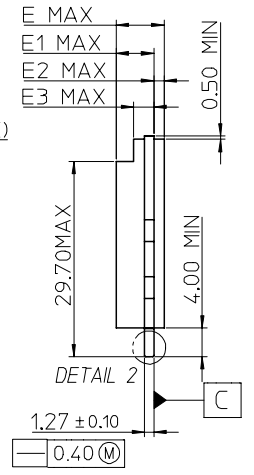
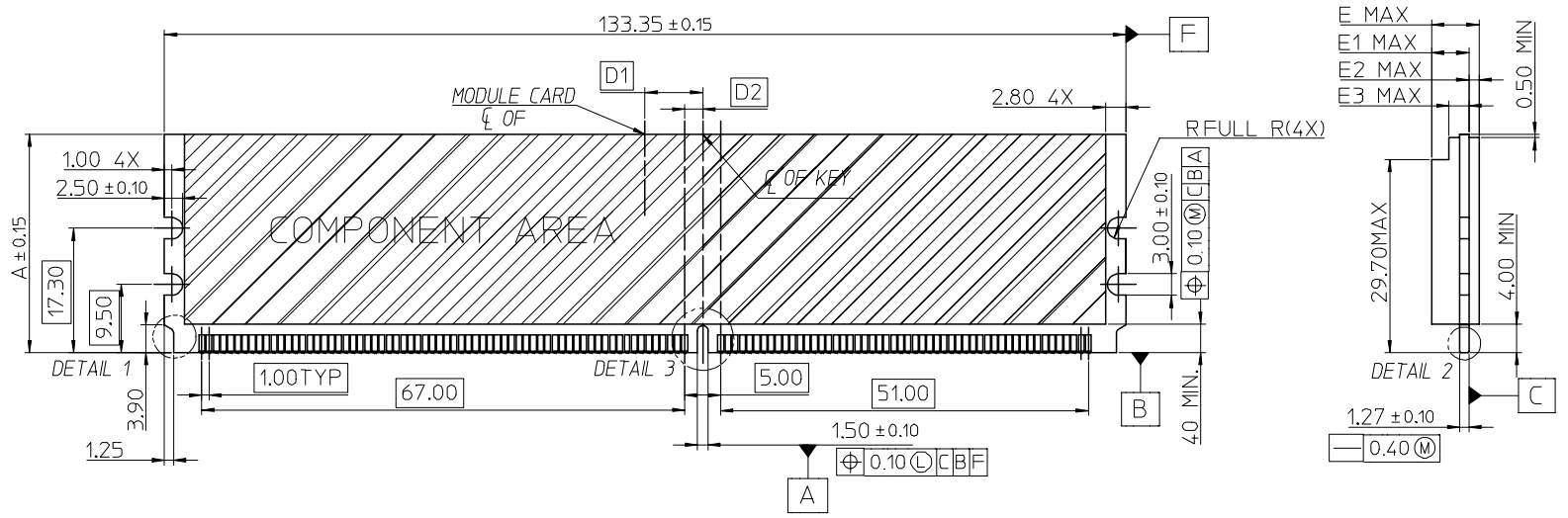


DETAIL C (2:1)

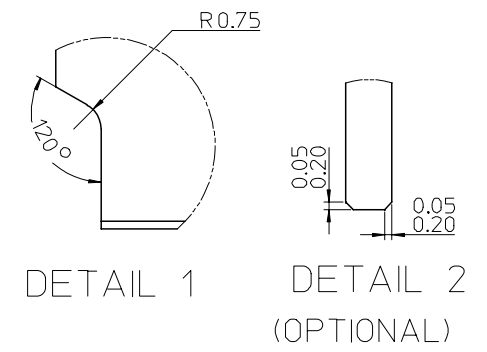
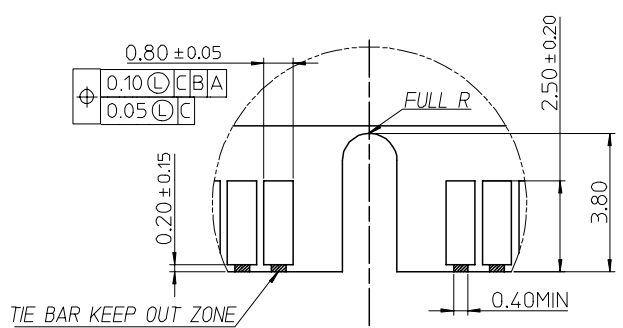
DETAIL D (2:1)

REVISED FOR TYPO EC NO: SH2008-0027 DRWN: ALLIN 2007/07/13 CHKD: 2007/07/13 APPR: WWSCHANG 2007/07/13	QUALITY SYMBOLS	GENERAL TOLERANCES (UNLESS SPECIFIED)		DIMENSION STYLE MM ONLY		SCALE 1:1	DESIGN UNITS METRIC	THIRD ANGLE PROJECTION	
	▽=0	mm	INCH	DRAWN BY TOM	DATE 2005/03/26	TITLE 1.0MM PITCH FB DIMM 240 CKTS VERTICAL SOCKET			
	▽=0	4 PLACES ±---	±---	CHECKED BY ALLEN LIN	DATE 2005/03/27	MOLEX INCORPORATED SD-48206-001 SHEET NO. 1 OF 6			
		3 PLACES ±---	±---	APPROVED BY WILSON	DATE 2005/03/27				
	2 PLACES ±0.25	±---	MATERIAL NO.		DOCUMENT NO.				
	1 PLACE ±0.25	±---	DRAFT WHERE APPLICABLE MUST REMAIN WITHIN DIMENSIONS		SEE ATBLE				
		ANGULAR ± 3°	SIZE A3		THIS DRAWING CONTAINS INFORMATION THAT IS PROPRIETARY TO MOLEX INCORPORATED AND SHOULD NOT BE USED WITHOUT WRITTEN PERMISSION				

9 8 7 6 5 4 3 2 1

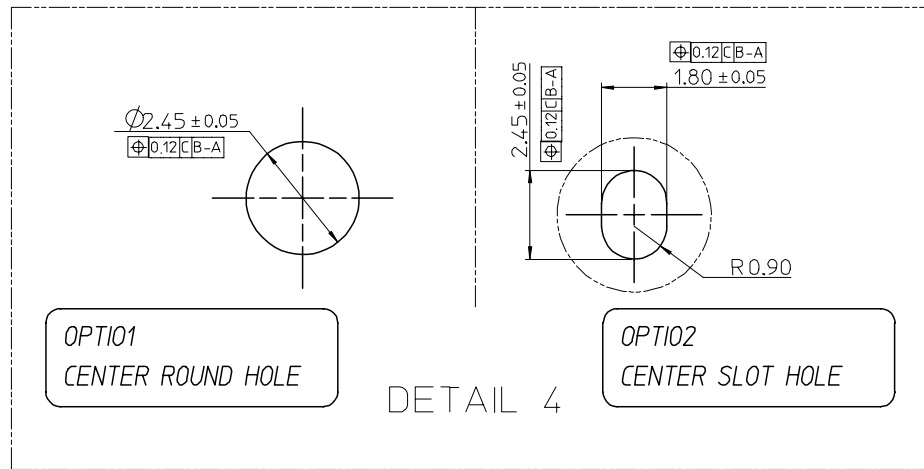
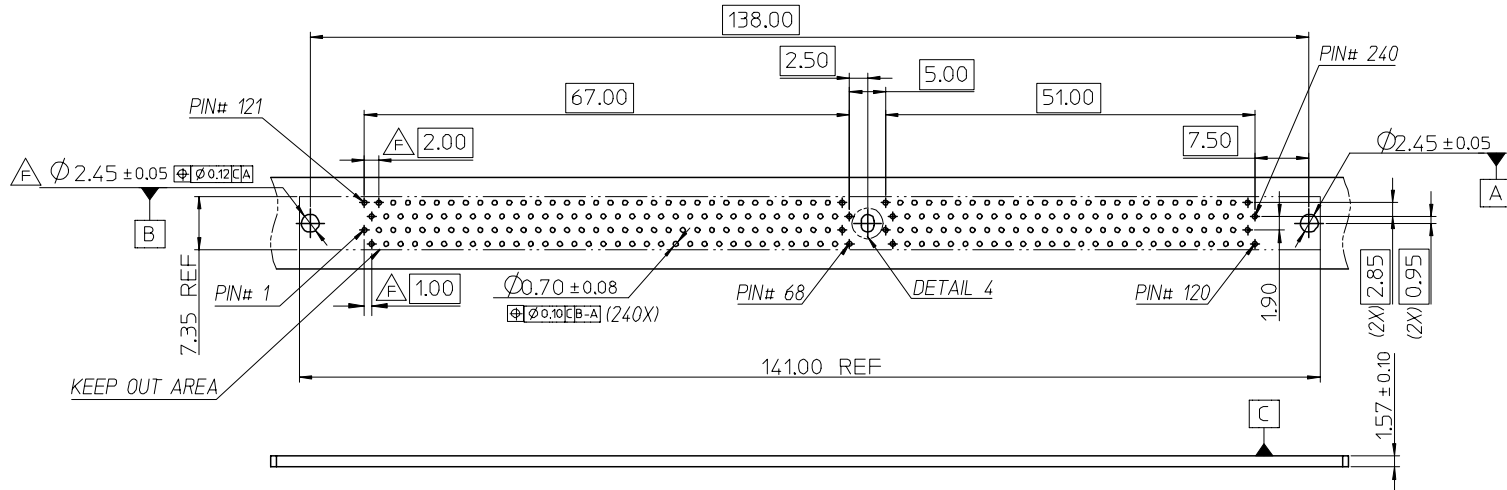


VAR	AB
A	30.35
D1	8.00 BASIC
D2	2.50 BASIC
E	8.20 MAX
E1	6.80 MAX
E2	1.40 MAX
E3	2.80 MAX



NOTES:
1. TOLERANCE ON ALL DIMENS ± 0.15
UNLESS OTHERWISE NOTED

SEE SHEET 1 EC NO: SH2008-0027 DRWN: ALLIN 2007/07/13 CHKD: 2007/07/13 APPR: WISCHANG 2007/07/13	QUALITY SYMBOLS	GENERAL TOLERANCES (UNLESS SPECIFIED)	DIMENSION STYLE	SCALE	DESIGN UNITS	THIRD ANGLE PROJECTION																		
	$\nabla=0$ $\sphericalangle=0$	<table border="1"> <thead> <tr> <th></th> <th>mm</th> <th>INCH</th> </tr> </thead> <tbody> <tr> <td>4 PLACES</td> <td>± ---</td> <td>± ---</td> </tr> <tr> <td>3 PLACES</td> <td>± ---</td> <td>± ---</td> </tr> <tr> <td>2 PLACES</td> <td>± 0.25</td> <td>± ---</td> </tr> <tr> <td>1 PLACE</td> <td>± 0.25</td> <td>± ---</td> </tr> <tr> <td colspan="3">ANGULAR ± 3 °</td> </tr> </tbody> </table>		mm	INCH	4 PLACES	± ---	± ---	3 PLACES	± ---	± ---	2 PLACES	± 0.25	± ---	1 PLACE	± 0.25	± ---	ANGULAR ± 3 °			MM ONLY	1:1	METRIC	
		mm	INCH																					
	4 PLACES	± ---	± ---																					
3 PLACES	± ---	± ---																						
2 PLACES	± 0.25	± ---																						
1 PLACE	± 0.25	± ---																						
ANGULAR ± 3 °																								
	DRAFT WHERE APPLICABLE MUST REMAIN WITHIN DIMENSIONS	SEE TABLE	DRAWN BY: TOM DATE: 2005/03/26 CHECKED BY: ALLEN LIN DATE: 2005/03/27 APPROVED BY: WILSON DATE: 2005/03/27 MATERIAL NO.: DOCUMENT NO.: SD-48206-001 SHEET NO.: 2 OF 6																					
			TITLE: 1.0MM PITCH FB DIMM 240 CKTS VERTICAL SOCKET MOLEX INCORPORATED THIS DRAWING CONTAINS INFORMATION THAT IS PROPRIETARY TO MOLEX INCORPORATED AND SHOULD NOT BE USED WITHOUT WRITTEN PERMISSION																					



SEE SHEET 1	DESCRIPTION
EC NO: SH2008-0027	2007/07/13
DRWN: ALLIN	2007/07/13
CHKD:	
APPR: WWSCHANG	2007/07/13
REV	

QUALITY SYMBOLS	DESCRIPTION
▽=0	
∇=0	

GENERAL TOLERANCES (UNLESS SPECIFIED)	
	mm
4 PLACES	± ---
3 PLACES	± ---
2 PLACES	± 0.25
1 PLACE	± 0.25
ANGULAR ± 3 °	
DRAFT WHERE APPLICABLE MUST REMAIN WITHIN DIMENSIONS	

DIMENSION STYLE	
MM ONLY	
DRAWN BY	DATE
TOM	2005/03/26
CHECKED BY	DATE
ALLEN LIN	2005/03/27
APPROVED BY	DATE
WILSON	2005/03/27
MATERIAL NO.	
SEE TABLE	
SIZE	
A3	

SCALE	DESIGN UNITS	THIRD ANGLE PROJECTION	
1:1	METRIC		
TITLE		MOLEX INCORPORATED	
1.0MM PITCH FB DIMM		SD-48206-001	
240 CKTS VERTICAL SOCKET		DOCUMENT NO.	SHEET NO.
			3 OF 6
THIS DRAWING CONTAINS INFORMATION THAT IS PROPRIETARY TO MOLEX INCORPORATED AND SHOULD NOT BE USED WITHOUT WRITTEN PERMISSION			

MOLEX P/N	HOUSING MATERIAL	HOUSING COLOR	LATCH COLOR	ALIGN MODE	CONTACT		PCB THICKNESS	SOLDER-TAIL APPEARANCE
					PLATING			
48206-0001	NYLON46/BLACK	WHITE	METAL FORK-LOCK		15 MICRONCH	157MM		
48206-0002					30 MICRONCH	157MM		
48206-0003					15 MICRONCH	2.36MM		
48206-0004					30 MICRONCH	2.36MM		
48206-0005					GOLD FLASH	157MM		
48206-0006					GOLD FLASH	2.36MM		
48206-0011	NYLON46/BLACK	WHITE	PLASTIC POST		15 MICRONCH	157MM		
48206-0012					30 MICRONCH	157MM		
48206-0013					15 MICRONCH	2.36MM		
48206-0014					30 MICRONCH	2.36MM		
48206-0015					GOLD FLASH	157MM		
48206-0016					GOLD FLASH	2.36MM		
48206-0101	NYLON46/BLACK	BLACK	METAL FORK-LOCK		15 MICRONCH	157MM	BRIGHT	
48206-0102					30 MICRONCH	157MM		
48206-0103					15 MICRONCH	2.36MM		
48206-0104					30 MICRONCH	2.36MM		
48206-0105					GOLD FLASH	157MM		
48206-0106					GOLD FLASH	2.36MM		
48206-0111	NYLON46/BLACK	BLACK	PLASTIC POST		15 MICRONCH	157MM		
48206-0112					30 MICRONCH	157MM		
48206-0113					15 MICRONCH	2.36MM		
48206-0114					30 MICRONCH	2.36MM		
48206-0115					GOLD FLASH	157MM		
48206-0116					GOLD FLASH	2.36MM		
48206-1001	NYLON46/WHITE	WHITE	METAL FORK-LOCK		15 MICRONCH	157MM		
48206-1002					30 MICRONCH	157MM		
48206-1003					15 MICRONCH	2.36MM		
48206-1004					30 MICRONCH	2.36MM		
48206-1005					GOLD FLASH	157MM		
48206-1006					GOLD FLASH	2.36MM		
48206-1011	NYLON46/WHITE	WHITE	PLASTIC POST		15 MICRONCH	157MM		
48206-1012					30 MICRONCH	157MM		
48206-1013					15 MICRONCH	2.36MM		
48206-1014					30 MICRONCH	2.36MM		
48206-1015					GOLD FLASH	157MM		
48206-1016					GOLD FLASH	2.36MM		
48206-1101	NYLON46/WHITE	BLACK	METAL FORK-LOCK		15 MICRONCH	157MM		
48206-1102					30 MICRONCH	157MM		
48206-1103					15 MICRONCH	2.36MM		
48206-1104					30 MICRONCH	2.36MM		
48206-1105					GOLD FLASH	157MM		
48206-1106					GOLD FLASH	2.36MM		
48206-1111	NYLON46/WHITE	BLACK	PLASTIC POST		15 MICRONCH	157MM		
48206-1112					30 MICRONCH	157MM		
48206-1113					15 MICRONCH	2.36MM		
48206-1114					30 MICRONCH	2.36MM		
48206-1115					GOLD FLASH	157MM		
48206-1116					GOLD FLASH	2.36MM		

MOLEX P/N	HOUSING MATERIAL	HOUSING COLOR	LATCH COLOR	ALIGN MODE	CONTACT		PCB THICKNESS	SOLDER-TAIL APPEARANCE
					PLATING			
48206-2001	NYLON46/GREEN (348C)	WHITE	METAL FORK-LOCK		15 MICRONCH	157MM		
48206-2002					30 MICRONCH	157MM		
48206-2003					15 MICRONCH	2.36MM		
48206-2004					30 MICRONCH	2.36MM		
48206-2005					GOLD FLASH	157MM		
48206-2006					GOLD FLASH	2.36MM		
48206-2011	NYLON46/GREEN (348C)	WHITE	PLASTIC POST		15 MICRONCH	157MM		
48206-2012					30 MICRONCH	157MM		
48206-2013					15 MICRONCH	2.36MM		
48206-2014					30 MICRONCH	2.36MM		
48206-2015					GOLD FLASH	157MM		
48206-2016					GOLD FLASH	2.36MM		
48206-2101	NYLON46/GREEN (348C)	BLACK	METAL FORK-LOCK		15 MICRONCH	157MM	BRIGHT	
48206-2102					30 MICRONCH	157MM		
48206-2103					15 MICRONCH	2.36MM		
48206-2104					30 MICRONCH	2.36MM		
48206-2105					GOLD FLASH	157MM		
48206-2106					GOLD FLASH	2.36MM		
48206-2111	NYLON46/GREEN (348C)	BLACK	PLASTIC POST		15 MICRONCH	157MM		
48206-2112					30 MICRONCH	157MM		
48206-2113					15 MICRONCH	2.36MM		
48206-2114					30 MICRONCH	2.36MM		
48206-2115					GOLD FLASH	157MM		
48206-2116					GOLD FLASH	2.36MM		
48206-3001	NYLON46/PURPLE (2736U)	WHITE	METAL FORK-LOCK		15 MICRONCH	157MM		
48206-3002					30 MICRONCH	157MM		
48206-3003					15 MICRONCH	2.36MM		
48206-3004					30 MICRONCH	2.36MM		
48206-3005					GOLD FLASH	157MM		
48206-3006					GOLD FLASH	2.36MM		
48206-3011	NYLON46/PURPLE (2736U)	WHITE	PLASTIC POST		15 MICRONCH	157MM		
48206-3012					30 MICRONCH	157MM		
48206-3013					15 MICRONCH	2.36MM		
48206-3014					30 MICRONCH	2.36MM		
48206-3015					GOLD FLASH	157MM		
48206-3016					GOLD FLASH	2.36MM		
48206-3101	NYLON46/PURPLE (2736U)	BLACK	METAL FORK-LOCK		15 MICRONCH	157MM		
48206-3102					30 MICRONCH	157MM		
48206-3103					15 MICRONCH	2.36MM		
48206-3104					30 MICRONCH	2.36MM		
48206-3105					GOLD FLASH	157MM		
48206-3106					GOLD FLASH	2.36MM		
48206-3111	NYLON46/PURPLE (2736U)	BLACK	PLASTIC POST		15 MICRONCH	157MM		
48206-3112					30 MICRONCH	157MM		
48206-3113					15 MICRONCH	2.36MM		
48206-3114					30 MICRONCH	2.36MM		
48206-3115					GOLD FLASH	157MM		
48206-3116					GOLD FLASH	2.36MM		

SEE SHEET 1 EC NO: SH2008-0027 DRWN:ALLIN 2007/07/13 CHKD: 2007/07/13 APPR:WMSCHANG 2007/07/13	QUALITY SYMBOLS ▽=0 ◁=0	GENERAL TOLERANCES (UNLESS SPECIFIED)		DIMENSION STYLE MM ONLY		SCALE 1:1	DESIGN UNITS METRIC	THIRD ANGLE PROJECTION		
						DRAWN BY TOM		DATE 2005/03/26		TITLE 1.0MM PITCH FB DIMM 240 CKTS VERTICAL SOCKET
						CHECKED BY ALLEN LIN		DATE 2005/03/27		
						APPROVED BY WILSON		DATE 2005/03/27		MOLEX INCORPORATED DOCUMENT NO. SD-48206-001 SHEET NO. 4 OF 6
DRAFT WHERE APPLICABLE MUST REMAIN WITHIN DIMENSIONS				SEE TABLE		THIS DRAWING CONTAINS INFORMATION THAT IS PROPRIETARY TO MOLEX INCORPORATED AND SHOULD NOT BE USED WITHOUT WRITTEN PERMISSION				

MOLEX P/N	HOUSING MATERIAL	HOUSING COLOR	LATCH COLOR	ALIGN MODE	CONTACT		PCB THICKNESS	SOLDER-TAIL APPEARANCE
					PLATING			
48206-4001	NYLON46/BLUE (287U)	WHITE	METAL FORK-LOCK		15 MICRONCH	1.57MM	BRIGHT	
48206-4002					30 MICRONCH	1.57MM		
48206-4003					15 MICRONCH	2.36MM		
48206-4004					30 MICRONCH	2.36MM		
48206-4005					GOLD FLASH	1.57MM		
48206-4006	NYLON46/BLUE (287U)	WHITE	PLASTIC POST		GOLD FLASH	2.36MM		
48206-4011					15 MICRONCH	1.57MM		
48206-4012					30 MICRONCH	1.57MM		
48206-4013					15 MICRONCH	2.36MM		
48206-4014					30 MICRONCH	2.36MM		
48206-4015	GOLD FLASH	1.57MM						
48206-4016	NYLON46/BLUE (287U)	BLACK	METAL FORK-LOCK		GOLD FLASH	2.36MM		
48206-4101					15 MICRONCH	1.57MM		
48206-4102					30 MICRONCH	1.57MM		
48206-4103					15 MICRONCH	2.36MM		
48206-4104					30 MICRONCH	2.36MM		
48206-4105	GOLD FLASH	1.57MM						
48206-4106	NYLON46/BLUE (287U)	BLACK	PLASTIC POST		GOLD FLASH	2.36MM		
48206-4111					15 MICRONCH	1.57MM		
48206-4112					30 MICRONCH	1.57MM		
48206-4113					15 MICRONCH	2.36MM		
48206-4114					30 MICRONCH	2.36MM		
48206-4115	GOLD FLASH	1.57MM						
48206-4116	NYLON66/BLACK	WHITE	METAL FORK-LOCK		GOLD FLASH	2.36MM		
48206-5001					15 MICRONCH	1.57MM		
48206-5002					30 MICRONCH	1.57MM		
48206-5003					15 MICRONCH	2.36MM		
48206-5004					30 MICRONCH	2.36MM		
48206-5005	NYLON66/BLACK	WHITE	PLASTIC POST		GOLD FLASH	1.57MM		
48206-5006					15 MICRONCH	1.57MM		
48206-5011					30 MICRONCH	1.57MM		
48206-5012					15 MICRONCH	2.36MM		
48206-5013					30 MICRONCH	2.36MM		
48206-5014	NYLON66/BLACK	BLACK	METAL FORK-LOCK		GOLD FLASH	1.57MM		
48206-5015					15 MICRONCH	1.57MM		
48206-5016					GOLD FLASH	2.36MM		
48206-5101					15 MICRONCH	1.57MM		
48206-5102					30 MICRONCH	1.57MM		
48206-5103	NYLON66/BLACK	BLACK	PLASTIC POST		15 MICRONCH	2.36MM		
48206-5104					30 MICRONCH	2.36MM		
48206-5105					GOLD FLASH	1.57MM		
48206-5106					GOLD FLASH	2.36MM		
48206-5111					15 MICRONCH	1.57MM		
48206-5112	NYLON66/BLACK	BLACK	PLASTIC POST		30 MICRONCH	1.57MM		
48206-5113					15 MICRONCH	2.36MM		
48206-5114					30 MICRONCH	2.36MM		
48206-5115					GOLD FLASH	1.57MM		
48206-5116					GOLD FLASH	2.36MM		

MOLEX P/N	HOUSING MATERIAL	HOUSING COLOR	LATCH COLOR	ALIGN MODE	CONTACT		PCB THICKNESS	SOLDER-TAIL APPEARANCE
					PLATING			
48206-6001	NYLON66/WHITE	WHITE	METAL FORK-LOCK		15 MICRONCH	1.57MM	BRIGHT	
48206-6002					30 MICRONCH	1.57MM		
48206-6003					15 MICRONCH	2.36MM		
48206-6004					30 MICRONCH	2.36MM		
48206-6005					GOLD FLASH	1.57MM		
48206-6006	NYLON66/WHITE	WHITE	PLASTIC POST		GOLD FLASH	2.36MM		
48206-6011					15 MICRONCH	1.57MM		
48206-6012					30 MICRONCH	1.57MM		
48206-6013					15 MICRONCH	2.36MM		
48206-6014					30 MICRONCH	2.36MM		
48206-6015	GOLD FLASH	1.57MM						
48206-6016	NYLON66/WHITE	BLACK	METAL FORK-LOCK		GOLD FLASH	2.36MM		
48206-6101					15 MICRONCH	1.57MM		
48206-6102					30 MICRONCH	1.57MM		
48206-6103					15 MICRONCH	2.36MM		
48206-6104					30 MICRONCH	2.36MM		
48206-6105	GOLD FLASH	1.57MM						
48206-6106	NYLON66/WHITE	BLACK	PLASTIC POST		GOLD FLASH	2.36MM		
48206-6111					15 MICRONCH	1.57MM		
48206-6112					30 MICRONCH	1.57MM		
48206-6113					15 MICRONCH	2.36MM		
48206-6114					30 MICRONCH	2.36MM		
48206-6115	GOLD FLASH	1.57MM						
48206-6116	NYLON66/BLACK	WHITE	METAL FORK-LOCK		GOLD FLASH	2.36MM		
48206-7001					15 MICRONCH	1.57MM		
48206-7002					30 MICRONCH	1.57MM		
48206-7003					15 MICRONCH	2.36MM		
48206-7004					30 MICRONCH	2.36MM		
48206-7005	NYLON66/BLACK	WHITE	PLASTIC POST		GOLD FLASH	1.57MM		
48206-7006					15 MICRONCH	1.57MM		
48206-7011					30 MICRONCH	1.57MM		
48206-7012					15 MICRONCH	2.36MM		
48206-7013					30 MICRONCH	2.36MM		
48206-7014	NYLON66/BLACK	BLACK	METAL FORK-LOCK		GOLD FLASH	1.57MM		
48206-7015					15 MICRONCH	1.57MM		
48206-7016					GOLD FLASH	2.36MM		
48206-7101					15 MICRONCH	1.57MM		
48206-7102					30 MICRONCH	1.57MM		
48206-7103	NYLON66/BLACK	BLACK	PLASTIC POST		15 MICRONCH	2.36MM		
48206-7104					30 MICRONCH	2.36MM		
48206-7105					GOLD FLASH	1.57MM		
48206-7106					GOLD FLASH	2.36MM		
48206-7111					15 MICRONCH	1.57MM		
48206-7112	NYLON66/BLACK	BLACK	PLASTIC POST		30 MICRONCH	1.57MM		
48206-7113					15 MICRONCH	2.36MM		
48206-7114					30 MICRONCH	2.36MM		
48206-7115					GOLD FLASH	1.57MM		
48206-7116					GOLD FLASH	2.36MM		

QUALITY SYMBOLS
 = 0
 = 0

REV DESCRIPTION

SEE SHEET 1
 EC NO: SH2008-0027
 T DRWN: ALLIN 2007/07/13
 CHKD: 2007/07/13
 APPR: WMSCHANG 2007/07/13

GENERAL TOLERANCES (UNLESS SPECIFIED)	
mm	INCH
4 PLACES	± 0.25
3 PLACES	± 0.25
2 PLACES	± 0.25
1 PLACE	± 0.25
ANGULAR ± 3°	

DRAFT WHERE APPLICABLE MUST REMAIN WITHIN DIMENSIONS

DIMENSION STYLE	
MM ONLY	
DRAWN BY	DATE
TOM	2005/03/26
CHECKED BY	DATE
ALLEN LIN	2005/03/27
APPROVED BY	DATE
WILSON	2005/03/27
MATERIAL NO.	
SIZE	A3

SCALE	DESIGN UNITS	THIRD ANGLE PROJECTION
1:1	METRIC	
TITLE		
1.0MM PITCH FB DIMM		
240 CKTS VERTICAL SOCKET		
MOLEX INCORPORATED		
DOCUMENT NO.	SHEET NO.	
SD-48206-001	5 OF 6	

THIS DRAWING CONTAINS INFORMATION THAT IS PROPRIETARY TO MOLEX INCORPORATED AND SHOULD NOT BE USED WITHOUT WRITTEN PERMISSION

10 9 8 7 6 5 4 3 2 1

F

E

D

C

B

A

F

E

D

C

B

A

MOLEX P/N	HOUSING MATERIAL	HOUSING COLOR	LATCH COLOR	ALIGN MODE	CONTACT		SOLDER-TAIL APPEARANCE
					PLATING	PCB THICKNESS	
48206-8001	NYLON66/PURPLE (2736U)	WHITE	METAL FORK-LOCK		15 MICRONCH	157MM	BRIGHT
48206-8002					30 MICRONCH	157MM	
48206-8003					15 MICRONCH	2.36MM	
48206-8004					30 MICRONCH	2.36MM	
48206-8005					GOLD FLASH	157MM	
48206-8006	GOLD FLASH	2.36MM					
48206-8011	NYLON66/PURPLE (2736U)	WHITE	PLASTIC POST		15 MICRONCH	157MM	
48206-8012					30 MICRONCH	157MM	
48206-8013					15 MICRONCH	2.36MM	
48206-8014					30 MICRONCH	2.36MM	
48206-8015					GOLD FLASH	157MM	
48206-8016	GOLD FLASH	2.36MM					
48206-8101	NYLON66/PURPLE (2736U)	BLACK	METAL FORK-LOCK		15 MICRONCH	157MM	
48206-8102					30 MICRONCH	157MM	
48206-8103					15 MICRONCH	2.36MM	
48206-8104					30 MICRONCH	2.36MM	
48206-8105					GOLD FLASH	157MM	
48206-8106	GOLD FLASH	2.36MM					
48206-8111	NYLON66/PURPLE (2736U)	BLACK	PLASTIC POST		15 MICRONCH	157MM	
48206-8112					30 MICRONCH	157MM	
48206-8113					15 MICRONCH	2.36MM	
48206-8114					30 MICRONCH	2.36MM	
48206-8115					GOLD FLASH	157MM	
48206-8116	GOLD FLASH	2.36MM					
48206-9001	NYLON66/BLUE (287U)	WHITE	METAL FORK-LOCK		15 MICRONCH	157MM	
48206-9002					30 MICRONCH	157MM	
48206-9003					15 MICRONCH	2.36MM	
48206-9004					30 MICRONCH	2.36MM	
48206-9005					GOLD FLASH	157MM	
48206-9006	GOLD FLASH	2.36MM					
48206-9011	NYLON66/BLUE (287U)	WHITE	PLASTIC POST		15 MICRONCH	157MM	
48206-9012					30 MICRONCH	157MM	
48206-9013					15 MICRONCH	2.36MM	
48206-9014					30 MICRONCH	2.36MM	
48206-9015					GOLD FLASH	157MM	
48206-9016	GOLD FLASH	2.36MM					
48206-9101	NYLON66/BLUE (287U)	BLACK	METAL FORK-LOCK		15 MICRONCH	157MM	
48206-9102					30 MICRONCH	157MM	
48206-9103					15 MICRONCH	2.36MM	
48206-9104					30 MICRONCH	2.36MM	
48206-9105					GOLD FLASH	157MM	
48206-9106	GOLD FLASH	2.36MM					
48206-9111	NYLON66/BLUE (287U)	BLACK	PLASTIC POST		15 MICRONCH	157MM	
48206-9112					30 MICRONCH	157MM	
48206-9113					15 MICRONCH	2.36MM	
48206-9114					30 MICRONCH	2.36MM	
48206-9115					GOLD FLASH	157MM	
48206-9116	GOLD FLASH	2.36MM					

MOLEX P/N	HOUSING MATERIAL	HOUSING COLOR	LATCH COLOR	ALIGN MODE	CONTACT		SOLDER-TAIL APPEARANCE
					PLATING	PCB THICKNESS	
48206-0007	NYLON46/BLACK	WHITE	METAL FORK-LOCK		15 MICRONCH	157MM	MATT
48206-0008					15 MICRONCH	2.36MM	

SEE SHEET 1	DESCRIPTION
EC NO: SH2008-0027	2007/07/13
DRWN:ALLIN	2007/07/13
CHKD:	
APPR:WWSCHANG	2007/07/13
REV	

QUALITY SYMBOLS
▽=0
△=0

GENERAL TOLERANCES (UNLESS SPECIFIED)	DIMENSION STYLE MM ONLY	
	mm	INCH
4 PLACES	± .005	± .0004
3 PLACES	± .005	± .0004
2 PLACES	± 0.25	± .010
1 PLACE	± 0.25	± .010
ANGULAR ± 3°		
DRAFT WHERE APPLICABLE MUST REMAIN WITHIN DIMENSIONS		

DRAWN BY		DATE
TOM		2005/03/26
CHECKED BY		DATE
ALLEN LIN		2005/03/27
APPROVED BY		DATE
WILSON		2005/03/27
MATERIAL NO.		
SEE TABLE		

SCALE	DESIGN UNITS	THIRD ANGLE PROJECTION
1:1	METRIC	☉ □
TITLE		
1.0MM PITCH FB DIMM		
240 CKTS VERTICAL SOCKET		
MOLEX INCORPORATED		
DOCUMENT NO.		SHEET NO.
SD-48206-001		6 OF 6
THIS DRAWING CONTAINS INFORMATION THAT IS PROPRIETARY TO MOLEX INCORPORATED AND SHOULD NOT BE USED WITHOUT WRITTEN PERMISSION		

9 8 7 6 5 4 3 2 1