

PLEASE CHECK WWW.MOLEX.COM FOR LATEST PART INFORMATION

Part Number: [5010142071](#)
Status: **Active**
Description: 0.50mm (.020") Pitch Cradlecon™ I/O Plug, SMT, Right Angle, Through Hole Shell Tabs, 20 Circuits

Documents:

[3D Model](#) [Product Specification PS-54944-028 \(PDF\)](#)
[Drawing \(PDF\)](#) [RoHS Certificate of Compliance \(PDF\)](#)

General

Product Family	I/O Connectors
Series	501014
Application	Board-to-Board
Component Type	Plug
Product Name	CradleCon™
Type	N/A

Physical

Boot Color	N/A
Circuits (Loaded)	20
Circuits (maximum)	20
Color - Resin	Black
Gender	Plug
Lock to Mating Part	Yes
Material - Metal	Brass
Material - Plating Mating	Gold
Material - Plating Termination	Tin
Material - Resin	High Temperature Thermoplastic
Number of Rows	2
Orientation	Right Angle
PCB Locator	Yes
PCB Retention	Yes
PCB Thickness Recommended (in)	0.031 In, 0.039 In
PCB Thickness Recommended (mm)	0.80 mm, 1.00 mm
Packaging Type	Embossed Tape on Reel
Panel Mount	No
Pitch - Mating Interface (in)	0.020 In
Pitch - Mating Interface (mm)	0.50 mm
Pitch - Term. Interface (in)	0.020 In
Pitch - Term. Interface (mm)	0.50 mm
Plating min: Mating (µin)	8
Plating min: Mating (µm)	0.2
Plating min: Termination (µin)	80
Plating min: Termination (µm)	2
Polarized to Mating Part	Yes
Polarized to PCB	Yes
Ports	1
Surface Mount Compatible (SMC)	Yes
Temperature Range - Operating	-20°C to +60°C
Termination Interface: Style	Surface Mount
Waterproof / Dustproof	No

Electrical

Current - Maximum per Contact	0.5A
Shield Type	Full Shield
Shielded	Yes

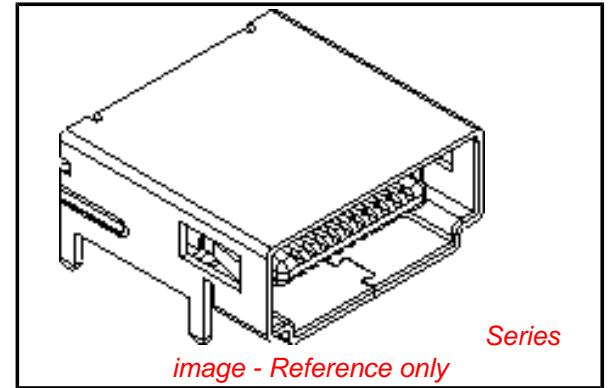


image - Reference only

EU RoHS

**ELV and RoHS
Compliant**
REACH SVHC
 Not Reviewed
**Halogen-Free
Status**

China RoHS



Not Reviewed

**Need more information on product
environmental compliance?**

Email productcompliance@molex.com
 For a multiple part number RoHS Certificate of Compliance, [click here](#)

Please visit the [Contact Us](#) section for any non-product compliance questions.

Search Parts in this Series

501014Series

Mates With

[51283 -20*6 Vertical](#), [Link:54944-2070 Right Angle](#)

Voltage - Maximum

30V AC (RMS)/DC

Material Info

Reference - Drawing Numbers

Product Specification

PS-54944-028, RPS-54944-012, RPS-54944-013

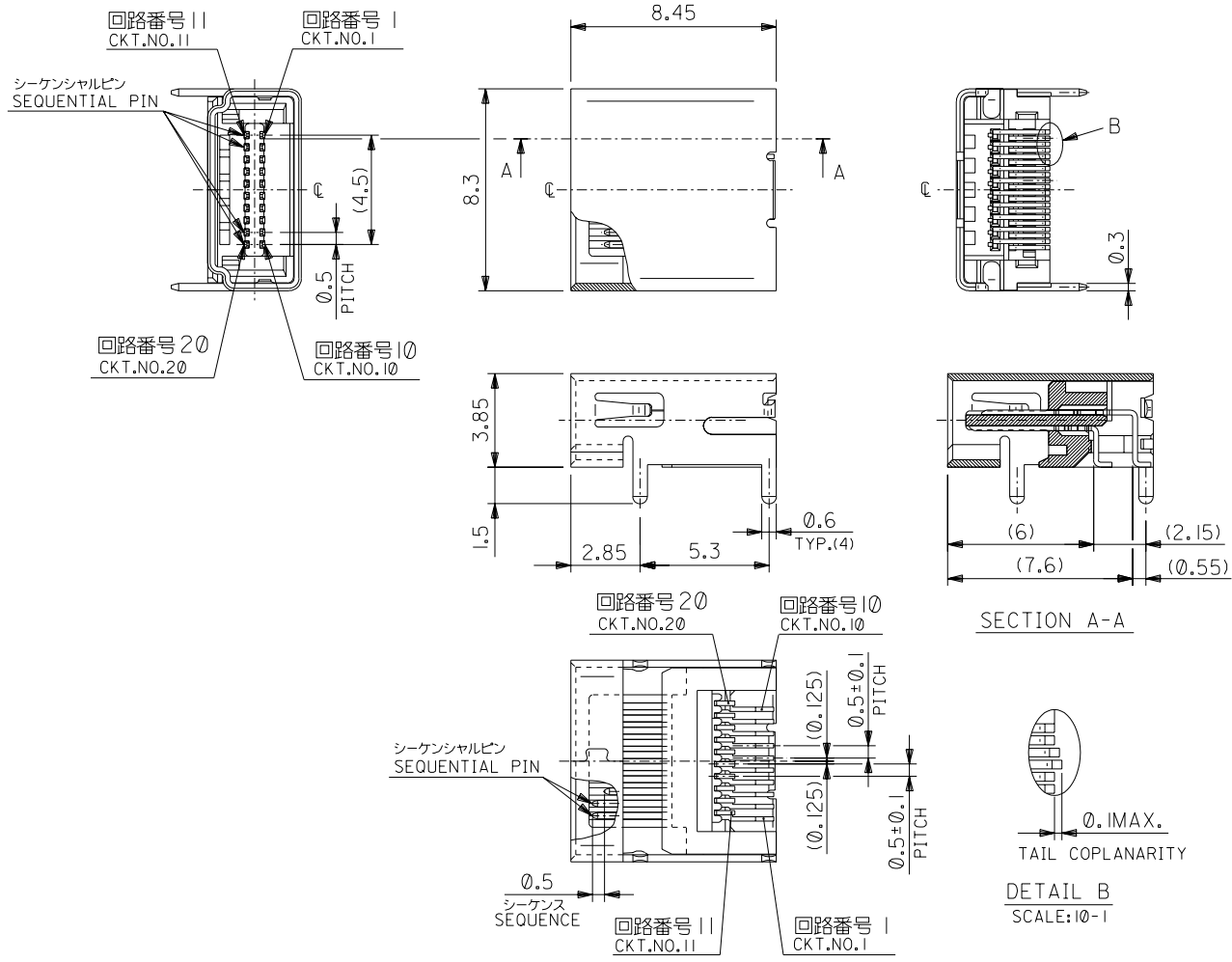
Sales Drawing

SD-501014-001, SD-501014-002

This document was generated on 04/19/2010

PLEASE CHECK WWW.MOLEX.COM FOR LATEST PART INFORMATION

DWG. NO. SD-501014-001



NOTE:

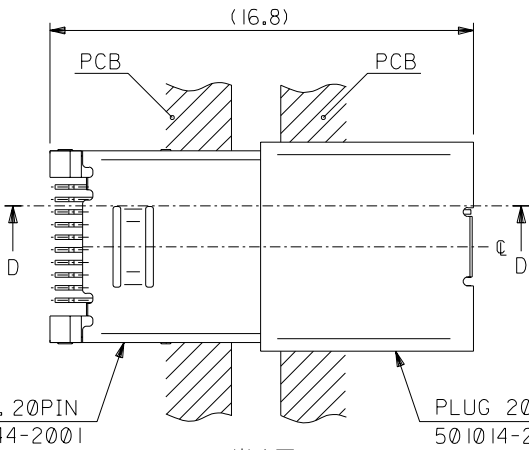
1. 適合リセ番号: 54944-20**, 51283-20**
(R/A TYPE) (STRAIGHT TYPE)
APPLICABLE REC. NO.: 54944-20**, 51283-20**
(R/A TYPE) (STRAIGHT TYPE)
2. 材質
MATERIAL
 - 2-1. ハウジング: ガラス入り耐熱樹脂
94V-0, 黒色
HOUSING: G.F. HEAT RESISTANT PLASTIC
94V-0, BLACK COLOR
 - 2-2. ターミナル: 銅合金
TERMINAL COPPER ALLOY
 - 2-3. プラグ シールド: ステンレス鋼
PLUG SHIELD STAINLESS STEEL
3. メッキ仕様
PLATING
 - 3-1. ターミナル
TERMINAL
 - 3-1-1. 接点部: 金メッキ 0.1 MICROMETER MIN.
CONTACT AREA GOLD
: パラジウムニッケルメッキ 0.2 MICROMETER MIN.
PALLADIUM-NICKEL
 - 3-1-2. 半田付け部: 錫メッキ 1.0 MICROMETER MIN.
SOLDER TAIL AREA TIN
 - 3-1-3. 下地メッキ: ニッケルメッキ 1.5 MICROMETER MIN.
UNDER-PLATING NICKEL
 - 3-2. プラグ シールド
PLUG SHIELD
 - 3-2-1. 錫メッキ: 1.0 MICROMETER MIN.
TIN
 - 3-2-2. 下地メッキ: ニッケルメッキ 1.0 MICROMETER MIN.
UNDER-PLATING NICKEL
4. 本製品は 55768-20** の鉛フリー品である。
THIS PRODUCT IS LEAD FREE OF 55768-20**.

DO NOT SCALE DRAWING

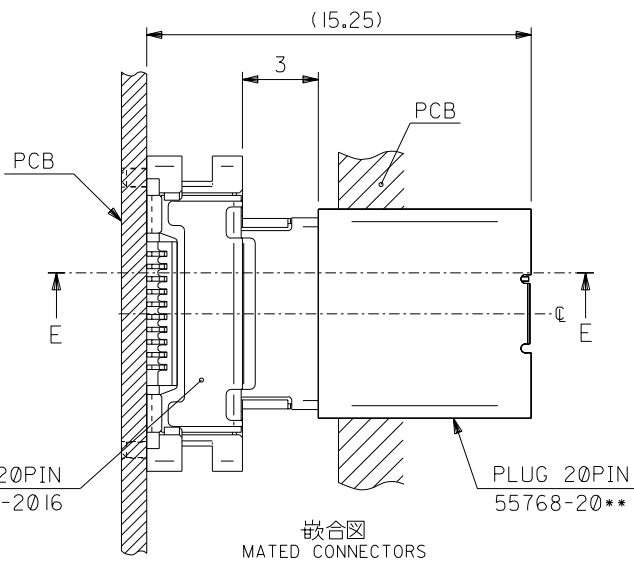
EC NO. DRWN: CH'K: APPR:		EC NO. DRWN: CH'K: APPR:		EC NO. DRWN: CH'K: APPR:		EC NO. DRWN: CH'K: APPR:		EC NO. DRWN: CH'K: APPR:		EC NO. 42004-4159 DRWN: T.UENO CH'K: M.SASAO APPR: M.SASAO RELEASED '04/05/11		MATERIAL 材料 # FINISH 仕上げ # WIRE RANGE 適用電線範囲 # INS. RANGE 被覆外径 #		GENERAL TOLERANCES: (UNLESS SPECIFIED) 一般公差 10 UNDER 未満 ±0.2 10 OVER 以上 30 UNDER 未満 ±0.25 30 OVER 以上 ±0.3 ANGLE 角度 ±3°		SCALE 5-1 DESIGN UNITS <input checked="" type="checkbox"/> mm <input type="checkbox"/> INCH DRAWN BY & DATE T.UENO '04/05/11 CHECKED BY & DATE M.SASAO '04/05/11 APPROVED BY & DATE M.SASAO '04/05/11 CAD FILENAME SD-501014-001.S01		THIRD ANGLE PROJECTION <input checked="" type="checkbox"/> <input type="checkbox"/> DIMENSIONS: <input type="checkbox"/> mm <input type="checkbox"/> INCH <input checked="" type="checkbox"/> mm ONLY TITLE: 0.5 I/O CONN. PLUG HS'G ASS'Y 20CKT. -LEAD FREE- MOLEX MOLEX INCORPORATED MATERIAL NO. SEE CHART DRAWING NO. SD-501014-001 SHEET NO. 1 OF 2		SHT REV REVISION ON CAD ONLY		THIS DRAWING CONTAINS INFORMATION THAT IS PROPRIETARY TO MOLEX INCORPORATED AND SHOULD NOT BE USED WITHOUT WRITTEN PERMISSION.		SIZE B	
-----------------------------	--	-----------------------------	--	-----------------------------	--	-----------------------------	--	-----------------------------	--	---	--	---	--	--	--	---	--	--	--	---------------------------------	--	--	--	--------	--

SD-501014-001.1.50

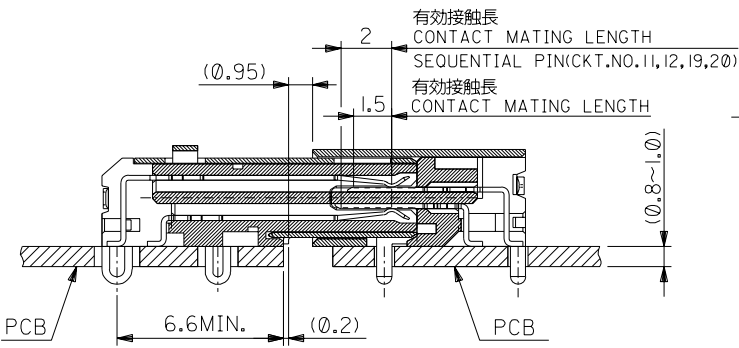
DWG. NO.
SD-501014-001



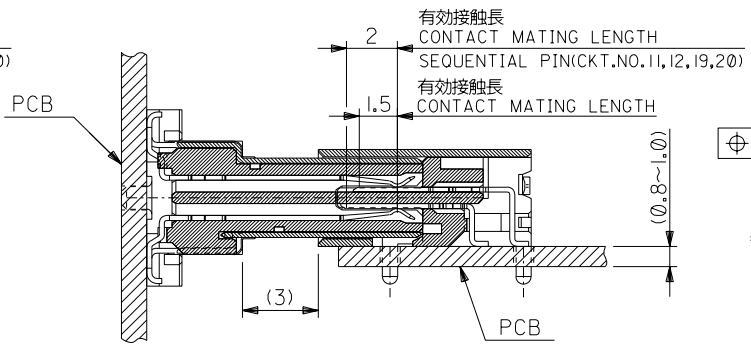
嵌合図
MATED CONNECTORS
リセ側：ライトアングルタイプ
REC. SIDE : R/A TYPE



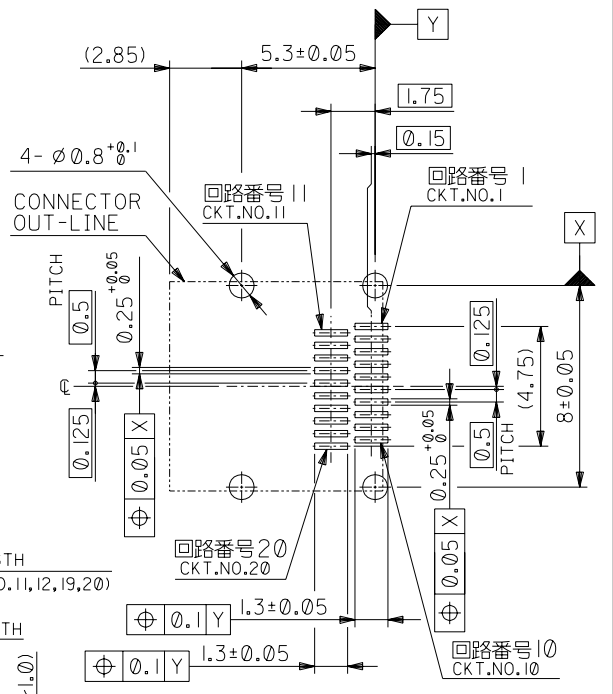
嵌合図
MATED CONNECTORS
リセ側：ストレートタイプ
REC. SIDE : STRAIGHT TYPE



SECTION D-D



SECTION E-E

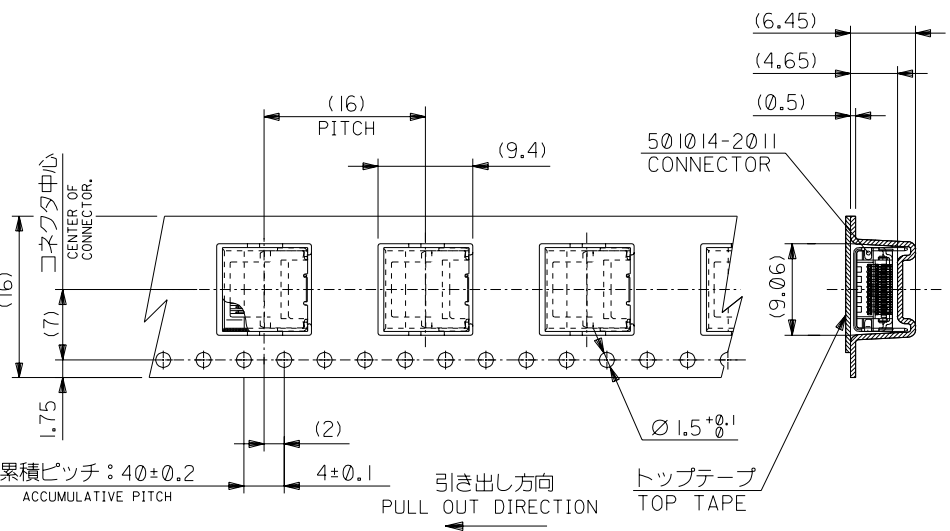
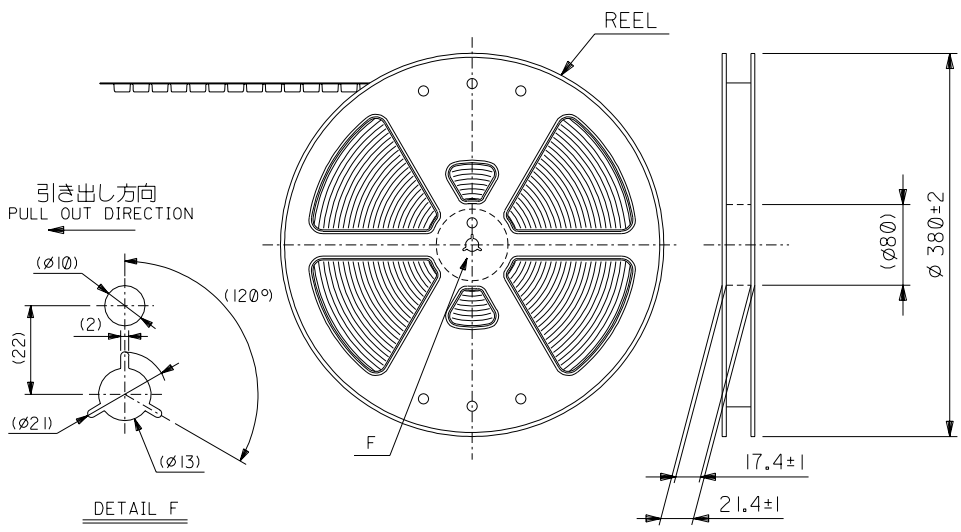


基板穴推定寸法 (部品実装側)
RECOMMENDED P.C.B LAYOUT (MOUNTING SIDE)

DO NOT SCALE DRAWING

EC NO. DRWN: CHK: APPR:		EC NO. DRWN: CHK: APPR:		EC NO. DRWN: CHK: APPR:		EC NO. DRWN: CHK: APPR:		EC NO. DRWN: CHK: APPR:		RELEASED '04/05/11 EC NO. J2004-4159 DRWN: T.UENO CHK: M.SASAO APPR: M.SASAO		MATERIAL 材料		GENERAL TOLERANCES: (UNLESS SPECIFIED) 一般公差		SCALE 5-1		DESIGN UNITS <input checked="" type="checkbox"/> mm <input type="checkbox"/> INCH		THIRD ANGLE PROJECTION		DIMENSIONS: <input type="checkbox"/> mm <input type="checkbox"/> INCH <input checked="" type="checkbox"/> mm ONLY		SHT REV	
												FINISH 仕上げ		10 UNDER 未満		DRAWN BY & DATE T.UENO '04/05/11		TITLE: 0.5 I/O CONN. PLUG HS'G ASS'Y 20CKT. -LEAD FREE-		MOLEX INCORPORATED		REVISION ON CAD ONLY			
												WIRE RANGE 適用層被範囲		10 OVER 30 UNDER 以上 未満		CHECKED BY & DATE M.SASAO '04/05/11									
												ANGLE 被覆外径		30 OVER 以上		APPROVED BY & DATE M.SASAO '04/05/11									
														ANGLE 角度		CAD FILENAME SD-501014-001.S02		MATERIAL NO. SEE CHART		DRAWING NO. SD-501014-001		SHEET NO. 2			
																THIS DRAWING CONTAINS INFORMATION THAT IS PROPRIETARY TO MOLEX INCORPORATED AND SHOULD NOT BE USED WITHOUT WRITTEN PERMISSION.						SIZE B			

SD-501014-001.S02



- 注記
NOTES
- 製品番号 501014-2011 の詳細寸法については、SD-501014-001 を参照下さい。
IN THE PACKAGE, PART NO. 501014-2011 RE DETAILED DIMENSIONS, SEE SD-501014-001.
 - 梱包数量 : 900 個/リール
NUMBER OF CONNECTORS : 900 PCS/REEL
 - リードテープ長さ
LEAD TAPE LENGTH
-
- トップテープ接着部
TOP TAPE BONDED PART
(空エンボス)
(EMPTY)
- 20PCS. MIN.
- トップテープ
リーダー部
TOP TAPE LEADER PART
400 MIN.
- 部品挿入部
COMPONENT SUPPLIER
- 末端部
(空部)
TAIL PART
(EMPTY)
160 MIN.
- トップテープの剥離強度 : (剥離方向は下図参照)
PEELING OFF FORCE OF TOP TAPE (PEELING DIRECTION AS SHOWN IN FOLLOWING FIG.)
0.1N ~ 1.3N (10gf ~ 130gf)
尚、本規格値は、出荷時に適用。
(但し、輸送時に剥離が発生しない事。)
THIS REQUIREMENT SHOULD BE APPLIED AT SHIPMENT
(PEEL OFF SHOULD NOT BE ALLOWED, DURING TRANSPORTATION)
-
- 剥離方向
PEEL OFF DIRECTION
- 10°
- 引き出し方向
PULL OUT DIRECTION
- 材料
MATERIAL
キャリアテープ : ポリプロピレン (PP)
CARRIER TAPE : POLYPROPYLENE (PP)
トップテープ : PET, PE, PEF
TOP TAPE : PET, PE, PEF
リール : ポリスチレン
REEL : POLYSTYLENE
 - 本製品は 55768-2091 の鉛フリー品である。
THIS PRODUCT IS LEAD FREE OF 55768-2091.

DO NOT SCALE DRAWING

EC NO. DRWN: CHK: APPR:	EC NO. DRWN: CHK: APPR:	EC NO. DRWN: CHK: APPR:	REVISED '04/05/26 EC NO. J2004-4439 DRWN: T.UENO CHK: M.SASAO APPR: M.SASAO	RELEASED '04/05/11 EC NO. J2004-4159 DRWN: T.UENO CHK: M.SASAO APPR: M.SASAO	MATERIAL 材料 SEE NOTES
			A	0	FINISH 仕上げ —
					WIRE RANGE 適用層被範囲 —
					INS. RANGE 被覆外径 —

GENERAL TOLERANCES: (UNLESS SPECIFIED) 一般公差	SCALE —	DESIGN UNITS <input checked="" type="checkbox"/> mm <input type="checkbox"/> INCH	THIRD ANGLE PROJECTION	DIMENSIONS: <input type="checkbox"/> mm <input type="checkbox"/> INCH <input checked="" type="checkbox"/> mm ONLY	SHT REVISE ON CAD ONLY
10 UNDER 未満	±0.2	DRAWN BY & DATE T.UENO '04/05/11	TITLE: EMBOSSD TAPE PACKAGE FOR 501014 -LEAD FREE-		
10 OVER 以上	±0.25	CHECKED BY & DATE M.SASAO '04/05/11	MOLEX MOLEX INCORPORATED		
30 OVER 以上	±0.3	APPROVED BY & DATE M.SASAO '04/05/11	CAD FILENAME SD-501014-002.S01	MATERIAL NO. SEE CHART	DRAWING NO. SD-501014-002
ANGLE 角度	±3°	THIS DRAWING CONTAINS INFORMATION THAT IS PROPRIETARY TO MOLEX INCORPORATED AND SHOULD NOT BE USED WITHOUT WRITTEN PERMISSION.			SHEET NO. 1 OF 1