

PLEASE CHECK WWW.MOLEX.COM FOR LATEST PART INFORMATION

Part Number: [0554820219](#)
Status: **Active**
Overview: [mini_mi_ii](#)
Description: 1.25mm (.049") Pitch Mini Mi II™ Wire-to-Wire Adapter, 2 Circuits, Lead-free

Documents:

[3D Model](#) [Product Specification PS-55482-006 \(PDF\)](#)
[Drawing \(PDF\)](#) [RoHS Certificate of Compliance \(PDF\)](#)

General

| | |
|----------------|----------------------------|
| Product Family | Accessories |
| Series | 55482 |
| Comments | For Panel Mounting |
| Component Type | Adapter |
| MolexKits | Yes |
| Overview | mini_mi_ii |
| Product Name | Mini Mi II™ |

Physical

| | |
|--------------------------------|----------------|
| Circuits (Loaded) | 2 |
| Color - Resin | Natural |
| Gender | Male |
| Material - Metal | Brass |
| Material - Plating Mating | Tin |
| Material - Plating Termination | Tin |
| Material - Resin | Nylon |
| Number of Rows | 1 |
| Packaging Type | Bag |
| Plating min: Mating (µin) | 40 |
| Plating min: Mating (µm) | 1.00 |
| Plating min: Termination (µin) | 40 |
| Plating min: Termination (µm) | 1.00 |
| Temperature Range - Operating | -20°C to +80°C |

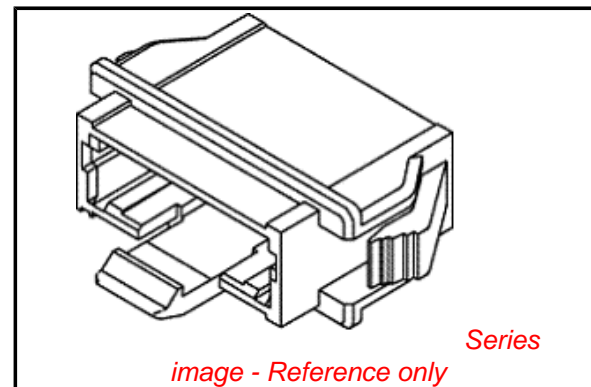
Electrical

| | |
|-------------------------------|------|
| Current - Maximum per Contact | 1.5A |
|-------------------------------|------|

Material Info

Reference - Drawing Numbers

| | |
|-------------------------|---------------|
| Packaging Specification | SPK-55482-001 |
| Product Specification | PS-55482-006 |
| Sales Drawing | SD-55482-004 |



EU RoHS

**ELV and RoHS
Compliant**
REACH SVHC
 Not Reviewed
**Halogen-Free
Status**

China RoHS



Not Reviewed

**Need more information on product
environmental compliance?**

Email productcompliance@molex.com
 For a multiple part number RoHS Certificate of
 Compliance, [click here](#)

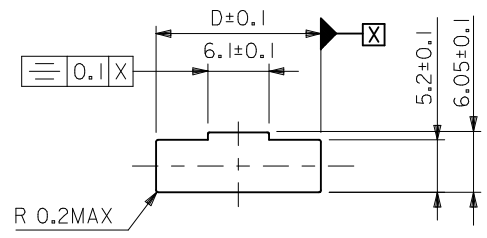
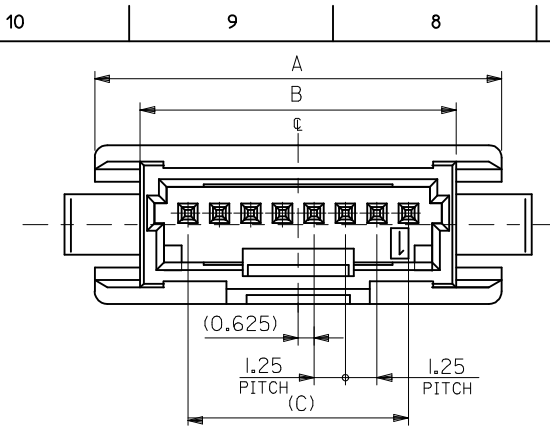
Please visit the [Contact Us](#) section for any
 non-product compliance questions.

Search Parts in this Series

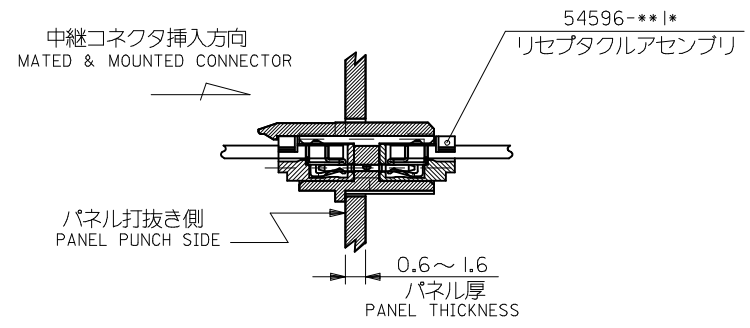
[55482Series](#)

Use With

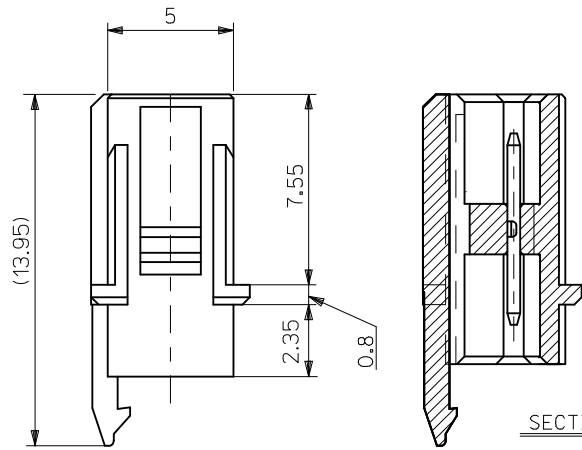
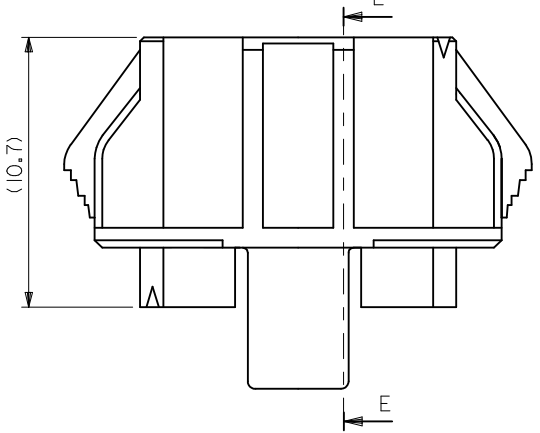
[54596](#)



推奨パネル加工寸法 (SCALE:2-1)
RECOMMENDED PANEL CUT DIMENSION



嵌合状態図
MATED & MOUNTED CONNECTOR



SECTION E-E

- 注記 NOTES
- 1.材質 MATERIAL
ウエハー: ポリアミド、UL94-V0、ナチュラル色
WAFER: PA、UL94-V0、COLOR NATURAL
ピン: 黄銅、銅下地 錫メッキ
PIN: BRASS, PRE-TINNED
 - 2.嵌合相手 MATE WITH
リセプタクルアセンブリ: 54596-***1*
REC.ASS'Y: 54596-***
ピン: リン青銅、錫メッキ
PIN: PHOSPHOR BRONZE, PRE-TINNED
 - 3.本製品は 55482-***10 の鉛フリー品である。
THIS PRODUCT IS LEAD FREE OF 55482-***10.
 4. ELV AND ROHS COMPLIANT.

| | | | | | |
|-------|-------|-------|-------|------------|----------|
| 31.35 | 23.75 | 27.55 | 31.15 | 55482-2019 | 20 |
| 30.1 | 22.5 | 26.3 | 29.9 | 55482-1919 | 19 |
| 28.85 | 21.25 | 25.05 | 28.65 | 55482-1819 | 18 |
| 27.6 | 20 | 23.8 | 27.4 | 55482-1719 | 17 |
| 26.35 | 18.75 | 22.55 | 26.15 | 55482-1619 | 16 |
| 25.1 | 17.5 | 21.3 | 24.9 | 55482-1519 | 15 |
| 23.85 | 16.25 | 20.05 | 23.65 | 55482-1419 | 14 |
| 22.6 | 15 | 18.8 | 22.4 | 55482-1319 | 13 |
| 21.35 | 13.75 | 17.55 | 21.15 | 55482-1219 | 12 |
| 20.1 | 12.5 | 16.3 | 19.9 | 55482-1119 | 11 |
| 18.85 | 11.25 | 15.05 | 18.65 | 55482-1019 | 10 |
| 17.6 | 10 | 13.8 | 17.4 | 55482-0919 | 9 |
| 16.35 | 8.75 | 12.55 | 16.15 | 55482-0819 | 8 |
| 15.1 | 7.5 | 11.3 | 14.9 | 55482-0719 | 7 |
| 13.85 | 6.25 | 10.05 | 13.65 | 55482-0619 | 6 |
| 12.6 | 5 | 8.8 | 12.4 | 55482-0519 | 5 |
| 11.35 | 3.75 | 7.55 | 11.15 | 55482-0419 | 4 |
| 10.1 | 2.5 | 6.3 | 9.9 | 55482-0319 | 3 |
| 8.85 | 1.25 | 5.05 | 8.65 | 55482-0219 | 2 |
| D | C | B | A | TRAY | CIRCUITS |

| | | |
|-------------|-----------|------------------|
| 55482-***19 | MODEL NO. | ORDER NO. オーダー番号 |
|-------------|-----------|------------------|

| | | | | | | |
|--|---------------------------------------|--------------|-----------------|---|---|------------------------|
| REVISED EC NO: J2010-0170 DRWN:TKON 2009/07/27 CHKD:KASAKAWA 2009/07/28 APPR:NUKITA 2009/07/29 | GENERAL TOLERANCES (UNLESS SPECIFIED) | | DIMENSION STYLE | SCALE | DESIGN UNITS | THIRD ANGLE PROJECTION |
| | | | MM ONLY | 5:1 | METRIC | ⊙ □ |
| | 10 UNDER | ±0.2 | DRAWN BY | DATE | TITLE | |
| | 10 OVER 30 UNDER | ±0.25 | Y. SAKIYAMA | 04/05/10 | MINI MI2 1-ROW RELAY WAFER ASSY -LEAD FREE- | |
| 30 OVER | ±0.3 | CHECKED BY | DATE | MOLEX INCORPORATED | | |
| ANGULAR | ±3 ° | M. SASAO | 04/05/10 | SD-55482-004 | | |
| DRAFT WHERE APPLICABLE MUST REMAIN WITHIN DIMENSIONS | | APPROVED BY | DATE | SHEET NO. | | |
| | | M. SASAO | 04/05/10 | 1 OF 1 | | |
| | | MATERIAL NO. | SEE TABLE | DOCUMENT NO. | | |
| | | SIZE | A3 | THIS DRAWING CONTAINS INFORMATION THAT IS PROPRIETARY TO MOLEX INCORPORATED AND SHOULD NOT BE USED WITHOUT WRITTEN PERMISSION | | |