

PLEASE CHECK WWW.MOLEX.COM FOR LATEST PART INFORMATION

Part Number: [0887667820](#)
Status: **Active**
Description: 1.90mm (.075") Pitch MicroCross™ P&D Digital (M)-to-DVI Digital (M) + USB Type A (M), 5.0m (16.40') Length, Leadfree

Documents:

[Drawing \(PDF\)](#) [RoHS Certificate of Compliance \(PDF\)](#)

General

Product Family Cable Assemblies
 Series [88745](#)
 Connector to Connector MicroCross™ P&D / DVI-D/USB
 Product Name MicroCross™P&D

Physical

Cable Length 5.0m (16.40')
 Circuits (Loaded) 30
 Color - Resin Black
 Gender Male-Male
 Lock to Mating Part Yes
 Material - Metal Phosphor Bronze
 Material - Plating Mating Gold
 Material - Plating Termination Tin
 Material - Resin Polyester
 Packaging Type Bag
 Pitch - Mating Interface (in) 0.075 In
 Pitch - Mating Interface (mm) 1.90 mm
 Plating min: Mating (µin) 10
 Plating min: Mating (µm) 0.25
 Plating min: Termination (µin) 150
 Plating min: Termination (µm) 3.75, 3.80
 Single Ended No
 Termination Interface: Style N/A, Solder or Weld
 Wire Insulation Diameter N/A
 Wire Size AWG 28
 Wire/Cable Type PVC

Electrical

Current - Maximum per Contact 1.5A
 Shielded Yes
 Voltage - Maximum 40V

Material Info

Reference - Drawing Numbers

Sales Drawing SD-88766-001

EU RoHS

RoHS Compliant by Exemption
REACH SVHC Not Reviewed
Halogen-Free Status Not Reviewed

China RoHS



Need more information on product environmental compliance?

Email productcompliance@molex.com
 For a multiple part number RoHS Certificate of Compliance, [click here](#)

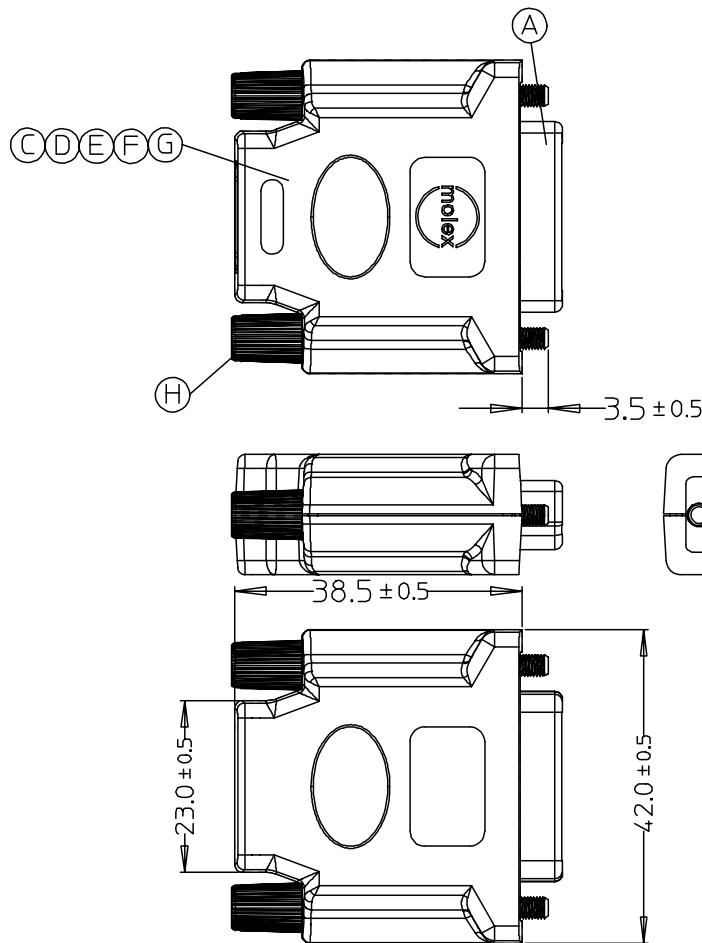
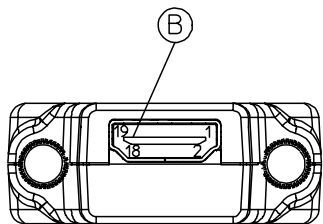
Please visit the [Contact Us](#) section for any non-product compliance questions.

Search Parts in this Series

[88745Series](#)

7 6 5 4 3 2 1

E
D
C
B
A



- Notes:
1. DIELECTRIC STRENGTH: 300V AC
 2. INSULATION RESISTANCE : 100M OHMS Min.
 3. CONTACT RESISTANCE: 2 OHMS Max.
 4. PCB IMPEDANCE: 100 ± 15 OHMS
 5. THIS PRODUCT MUST MEET ROHS COMPLIANCE

HDMI	DVI-D	Function
1	2	TMDS DATA2+
2	3	TMDS DATA2 SHIELD
3	1	TMDS DATA2-
4	10	TMDS DATA1+
5	11	TMDS DATA1 SHIELD
6	9	TMDS DATA1-
7	18	TMDS DATA0+
8	19	TMDS DATA0 SHIELD
9	17	TMDS DATA0-
10	23	TMDS CLOCK+
11	22	TMDS CLOCK SHIELD
12	24	TMDS CLOCK-
13	N.A	N.A
14	N.A	N.A
15	6	DDC CLOCK(SCL)
16	7	DDC DATA(SDA)
17	15	GROUND(+5V&DDC)
18	14	POWER +5V
19	16	HOT PLUG DETECT
SHIELD	SHIELD	GROUND(+5V&DDC)

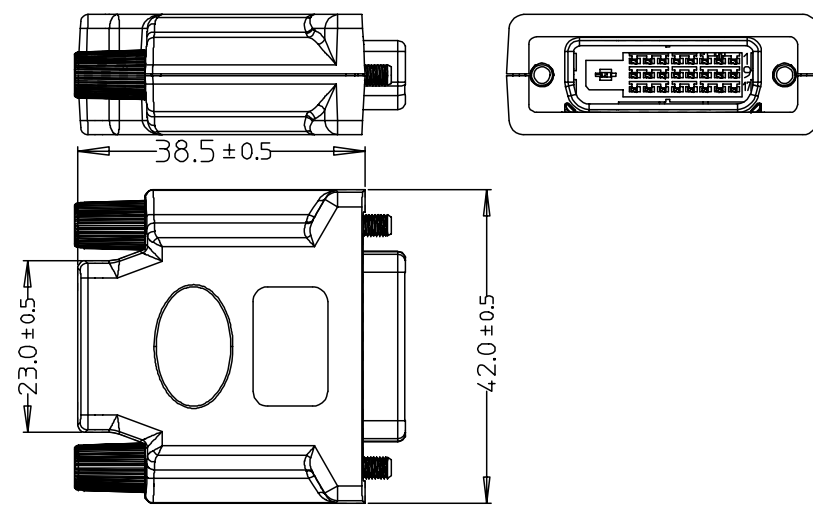
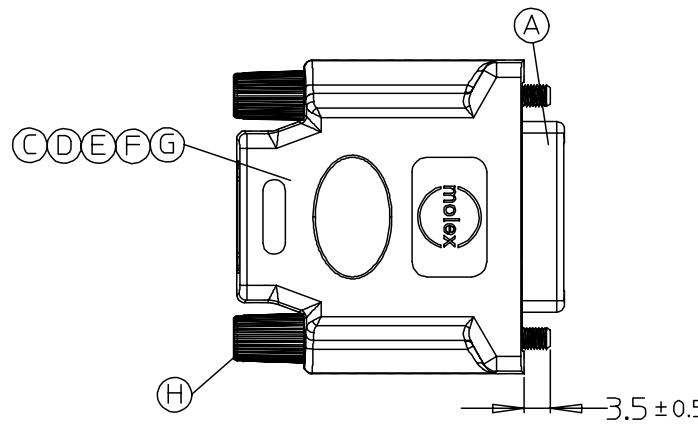
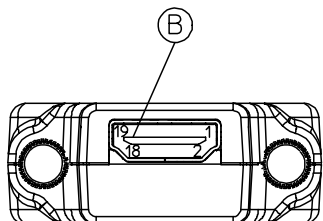
ITEM	DESCRIPTION	USAGE
H	4-40 UNC SCREW	2
G	PCB	1
F	BOTTOM METAL CAN	1
E	TOP METAL CAN	1
D	ABS BOTTOM COVER	1
C	ABS TOP COVER	1
B	HDMI_F&PCB ASSY'	1
A	DVI-D CONN.	1

ENTER DESCRIPTION EC NO: DG2006-0175 DRWN: JFZHENG 2006/02/18 CHKD: 2006/02/20 APPR: DQLUO 2006/02/20	QUALITY SYMBOLS ▽=0 ▽=0	GENERAL TOLERANCES (UNLESS SPECIFIED) <table border="1"> <thead> <tr> <th></th> <th>mm</th> <th>INCH</th> </tr> </thead> <tbody> <tr><td>4 PLACES</td><td>±---</td><td>±---</td></tr> <tr><td>3 PLACES</td><td>±---</td><td>±---</td></tr> <tr><td>2 PLACES</td><td>±---</td><td>±---</td></tr> <tr><td>1 PLACE</td><td>±---</td><td>±---</td></tr> </tbody> </table> ANGULAR ±---°		mm	INCH	4 PLACES	±---	±---	3 PLACES	±---	±---	2 PLACES	±---	±---	1 PLACE	±---	±---	DIMENSION STYLE MM ONLY DRAWN BY DATE JFZHENG 2006/01/19 CHECKED BY DATE JFZHENG 2006/01/19 APPROVED BY DATE DQLUO 2006/01/19	SCALE --- DESIGN UNITS METRIC THIRD ANGLE PROJECTION	TITLE HDMI TO DVI-D ADAPTER MOLEX INCORPORATED MATERIAL NO. 887670600 DOCUMENT NO. SD-88767-060 SHEET NO. 1 OF 1
		mm	INCH																	
	4 PLACES	±---	±---																	
	3 PLACES	±---	±---																	
2 PLACES	±---	±---																		
1 PLACE	±---	±---																		
DRAFT WHERE APPLICABLE MUST REMAIN WITHIN DIMENSIONS		THIS DRAWING CONTAINS INFORMATION THAT IS PROPRIETARY TO MOLEX INCORPORATED AND SHOULD NOT BE USED WITHOUT WRITTEN PERMISSION																		
DESCRIPTION REV																				
ENTER DESCRIPTION EC NO: DG2006-0175 DRWN: JFZHENG 2006/02/18 CHKD: 2006/02/20 APPR: DQLUO 2006/02/20																				

6 5 4 3 2 1

7 6 5 4 3 2 1

E
D
C
B
A



- Notes:
1. DIELECTRIC STRENGTH: 300V AC
 2. INSULATION RESISTANCE : 100M OHMS Min.
 3. CONTACT RESISTANCE: 2 OHMS Max.
 4. PCB IMPEDANCE: 100±15 OHMS
 5. THIS PRODUCT MUST MEET ROHS COMPLIANCE

HDMI	DVI-D	Function
1	2	TMDS DATA2+
2	3	TMDS DATA2 SHIELD
3	1	TMDS DATA2-
4	10	TMDS DATA1+
5	11	TMDS DATA1 SHIELD
6	9	TMDS DATA1-
7	18	TMDS DATA0+
8	19	TMDS DATA0 SHIELD
9	17	TMDS DATA0-
10	23	TMDS CLOCK+
11	22	TMDS CLOCK SHIELD
12	24	TMDS CLOCK-
13	N.A	N.A
14	N.A	N.A
15	6	DDC CLOCK(SCL)
16	7	DDC DATA(SDA)
17	15	GROUND(+5V&DDC)
18	14	POWER +5V
19	16	HOT PLUG DETECT
SHIELD	SHIELD	GROUND(+5V&DDC)

ITEM	DESCRIPTION	USAGE
H	4-40 UNC SCREW	2
G	PCB	1
F	BOTTOM METAL CAN	1
E	TOP METAL CAN	1
D	ABS BOTTOM COVER	1
C	ABS TOP COVER	1
B	HDMI F&PCB ASSY'	1
A	DVI-D CONN.	1

ENTER DESCRIPTION EC NO: DG2006-0164 DRWN: JFZHENG CHKD: APPR: DQLUO	2006/01/20 2006/01/20 2006/08/28	DESCRIPTION REV	QUALITY SYMBOLS ▽=0 ▽=0	GENERAL TOLERANCES (UNLESS SPECIFIED) <table border="1"> <thead> <tr> <th></th> <th>mm</th> <th>INCH</th> </tr> </thead> <tbody> <tr><td>4 PLACES</td><td>± ---</td><td>± ---</td></tr> <tr><td>3 PLACES</td><td>± ---</td><td>± ---</td></tr> <tr><td>2 PLACES</td><td>± ---</td><td>± ---</td></tr> <tr><td>1 PLACE</td><td>± ---</td><td>± ---</td></tr> </tbody> </table> ANGULAR ±1/2°		mm	INCH	4 PLACES	± ---	± ---	3 PLACES	± ---	± ---	2 PLACES	± ---	± ---	1 PLACE	± ---	± ---	DIMENSION STYLE MM ONLY	SCALE ---	DESIGN UNITS METRIC	THIRD ANGLE PROJECTION
				mm	INCH																		
			4 PLACES	± ---	± ---																		
			3 PLACES	± ---	± ---																		
2 PLACES	± ---	± ---																					
1 PLACE	± ---	± ---																					
DRAWN BY JFZHENG	DATE 2006/01/19	TITLE HDMI TO DVI-D ADAPTER																					
CHECKED BY JFZHENG	DATE 2006/01/19	APPROVED BY DQLUO																					
MATERIAL NO. 887670600	DATE 2006/01/19	MOLEX INCORPORATED	DOCUMENT NO. SD-887670600	SHEET NO. 1 OF 1																			

6 5 4 3 2 1