

PLEASE CHECK WWW.MOLEX.COM FOR LATEST PART INFORMATION

Part Number: [1300990141](#)
Status: **Active**
Overview: [brad wire mesh grips](#)
Description: MAX-LOC® Lock Nut 3/8" NPT

Documents:

[Drawing \(PDF\)](#) [RoHS Certificate of Compliance \(PDF\)](#)

General

Product Family	Cable Grips
Series	130099
Eye Type	N/A
Insulated	No
O-Ring	No
Overview	brad wire mesh grips
Product Name	MAX-LOC®
Type	Lock Nut
Use With	130098 1/4" NPT Tread Size Strain Relief
Woodhead	Yes

Physical

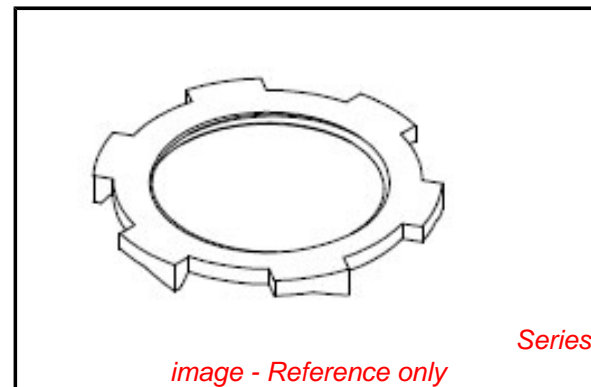
Approximate Break Strength	N/A
Bale Length	N/A
Body Style	N/A
Cable Diameter	N/A
Color - Grommet	N/A
Gender	N/A
Material - Body	Aluminum
Material - Grip	N/A
Mesh Length	N/A
Number of Holes	N/A
Thread Size	1/4" NPT

Material Info

Old Part Number	5599
-----------------	------

Reference - Drawing Numbers

Sales Drawing	SD-130099-141
---------------	---------------



EU RoHS

**ELV and RoHS
Compliant**
**REACH SVHC
Not Reviewed**
**Halogen-Free
Status
Not Reviewed**

China RoHS

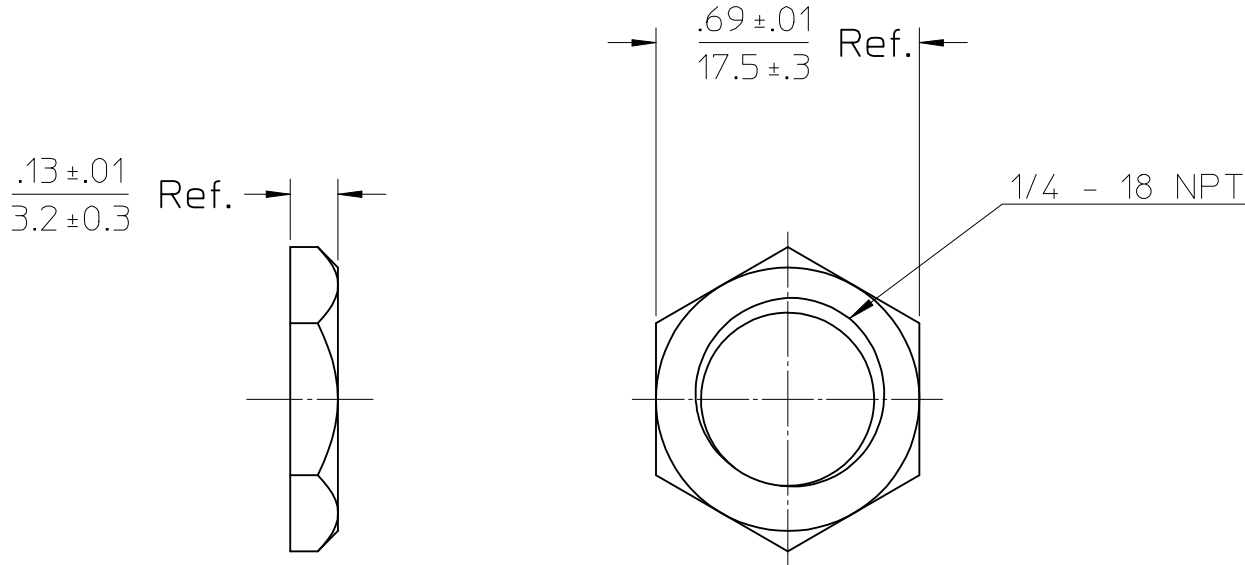
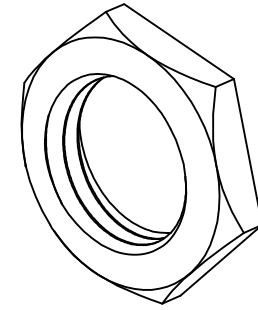


**Need more information on product
environmental compliance?**

Email productcompliance@molex.com
 For a multiple part number RoHS Certificate of
 Compliance, [click here](#)

Please visit the [Contact Us](#) section for any
 non-product compliance questions.

Search Parts in this Series
[130099Series](#)



NOTE :

1. LOCKNUT MUST HAVE 1 1/2 THREADS MINIMUM.

MATERIAL No.	OLD P/N	MATERIAL
1300990141	5599	STEEL ZINC PLATED

2009/07/08

ENTER DESCRIPTION EC NO: WNA2009-0773 DRW:NKUMAR01 2009/05/28 CHKD: APPR:JFMURPHY	QUALITY SYMBOLS	GENERAL TOLERANCES (UNLESS SPECIFIED)		DIMENSION STYLE IN/MM		SCALE 2:1	DESIGN UNITS INCH	THIRD ANGLE PROJECTION	
	▼=0	4 PLACES	mm	INCH	DRAWN BY	DATE	LOCKNUT - 1/4 MAX-LOC USE30-1233LOCKNUT		
	∇=0	3 PLACES	± ---	± ---	CHECKED BY	DATE			
		2 PLACES	± ---	± 0.010	BWOODMAN	28/05/09	MOLEX INCORPORATED		
		1 PLACE	± 0.3	± ---	APPROVED BY	DATE			
		ANGULAR ±1/2°		JFMURPHY	28/05/09	DOCUMENT NO.		SHEET NO.	
A	REV	DRAFT WHERE APPLICABLE MUST REMAIN WITHIN DIMENSIONS			SEE CHART		SD-130099-141		1 OF 1