

**PLEASE CHECK WWW.MOLEX.COM FOR LATEST PART INFORMATION**

**Part Number:** [1300990142](#)  
**Status:** **Active**  
**Overview:** [brad wire mesh grips](#)  
**Description:** MAX-LOC® Lock Nut 1/2" NPT

**Documents:**

[Drawing \(PDF\)](#) [RoHS Certificate of Compliance \(PDF\)](#)

**General**

Product Family	Cable Grips
Series	<a href="#">130099</a>
Eye Type	N/A
Insulated	No
O-Ring	No
Overview	<a href="#">brad wire mesh grips</a>
Product Name	MAX-LOC®
Type	Lock Nut
Use With	<a href="#">130098</a> 3/8" NPT Tread Size Strain Relief
Woodhead	Yes

**Physical**

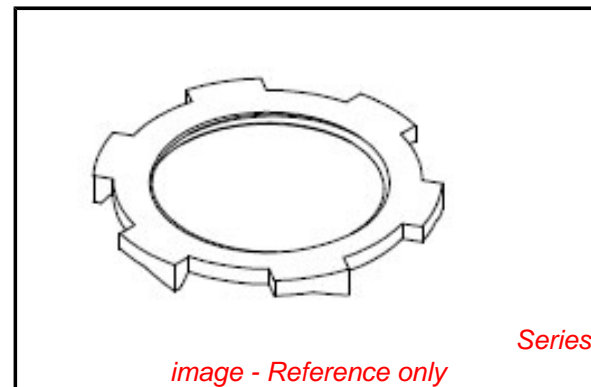
Approximate Break Strength	N/A
Bale Length	N/A
Body Style	N/A
Cable Diameter	N/A
Color - Grommet	N/A
Gender	N/A
Material - Body	Aluminum
Material - Grip	N/A
Mesh Length	N/A
Number of Holes	N/A
Thread Size	3/8" NPT

**Material Info**

Old Part Number 5600

**Reference - Drawing Numbers**

Sales Drawing SD-130099-142



**EU RoHS**

**ELV and RoHS  
Compliant**  
**REACH SVHC  
Not Reviewed**  
**Halogen-Free  
Status  
Not Reviewed**

**China RoHS**

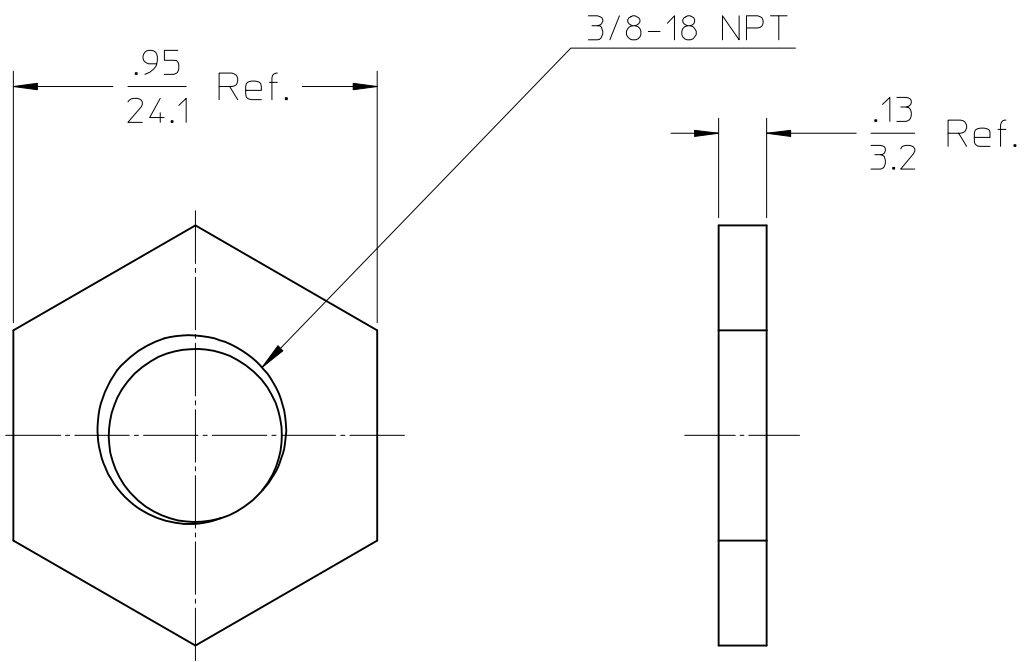
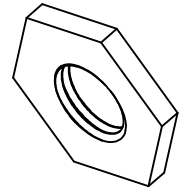


**Need more information on product  
environmental compliance?**

Email [productcompliance@molex.com](mailto:productcompliance@molex.com)  
 For a multiple part number RoHS Certificate of  
 Compliance, [click here](#)

Please visit the [Contact Us](#) section for any  
 non-product compliance questions.

**Search Parts in this Series**  
[130099Series](#)



MATERIAL No.	OLD P/N	MATERIAL
1300990142	5600	STEEL ZINC PLATED

ENTER DESCRIPTION EC NO: WNA2009-0773 2009/07/08 NKUMAR01 CHKD: APPR: JFMURPHY 2009/07/08 DESCRIPTION REV	QUALITY SYMBOLS	GENERAL TOLERANCES (UNLESS SPECIFIED)		DIMENSION STYLE IN/MM		SCALE 2:1	DESIGN UNITS INCH	THIRD ANGLE PROJECTION	
	▼=0 C=0	4 PLACES	± ---	± ---	DRAWN BY NKUMAR01	DATE 02/06/09	TITLE LOCKNUT - 3/8 MAX-LOC USE30-2054LOCKNUT		
		3 PLACES	± ---	± ---	CHECKED BY BWOODMAN	DATE 02/06/09			
		2 PLACES	± ---	± 0.010	APPROVED BY JFMURPHY	DATE 02/06/09	MOLEX INCORPORATED		
	1 PLACE	± 0.3	± ---	MATERIAL NO. 1300990142	DOCUMENT NO. SD-130099-142	SHEET NO. 1 OF 1			
DRAFT WHERE APPLICABLE MUST REMAIN WITHIN DIMENSIONS		ANGULAR ±1/2°		THIS DRAWING CONTAINS INFORMATION THAT IS PROPRIETARY TO MOLEX INCORPORATED AND SHOULD NOT BE USED WITHOUT WRITTEN PERMISSION					