

PLEASE CHECK WWW.MOLEX.COM FOR LATEST PART INFORMATION

Part Number: [1300990144](#)
Status: **Active**
Overview: [brad wire mesh grips](#)
Description: MAX-LOC® Lock Nut 1" NPT

Documents:

[Drawing \(PDF\)](#) [RoHS Certificate of Compliance \(PDF\)](#)

General

Product Family	Cable Grips
Series	130099
Eye Type	N/A
Insulated	No
O-Ring	No
Overview	brad wire mesh grips
Product Name	MAX-LOC®
Type	Lock Nut
Use With	130098 3/4" NPT Tread Size Strain Relief
Woodhead	Yes

Physical

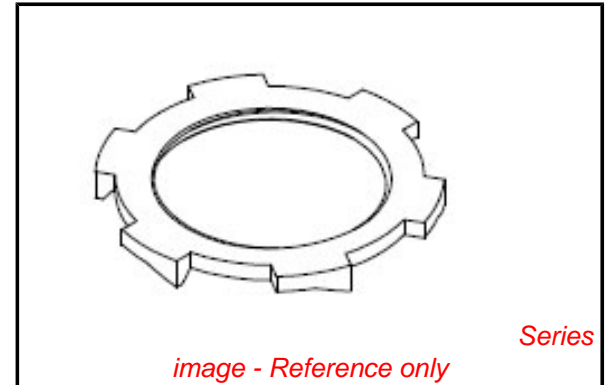
Approximate Break Strength	N/A
Bale Length	N/A
Body Style	N/A
Cable Diameter	N/A
Color - Grommet	N/A
Gender	N/A
Material - Body	Aluminum
Material - Grip	N/A
Mesh Length	N/A
Number of Holes	N/A
Thread Size	3/4" NPT

Material Info

Old Part Number	5602
-----------------	------

Reference - Drawing Numbers

Sales Drawing	SD-130099-144
---------------	---------------



EU RoHS

**ELV and RoHS
Compliant**
**REACH SVHC
Not Reviewed**
**Halogen-Free
Status
Not Reviewed**

China RoHS



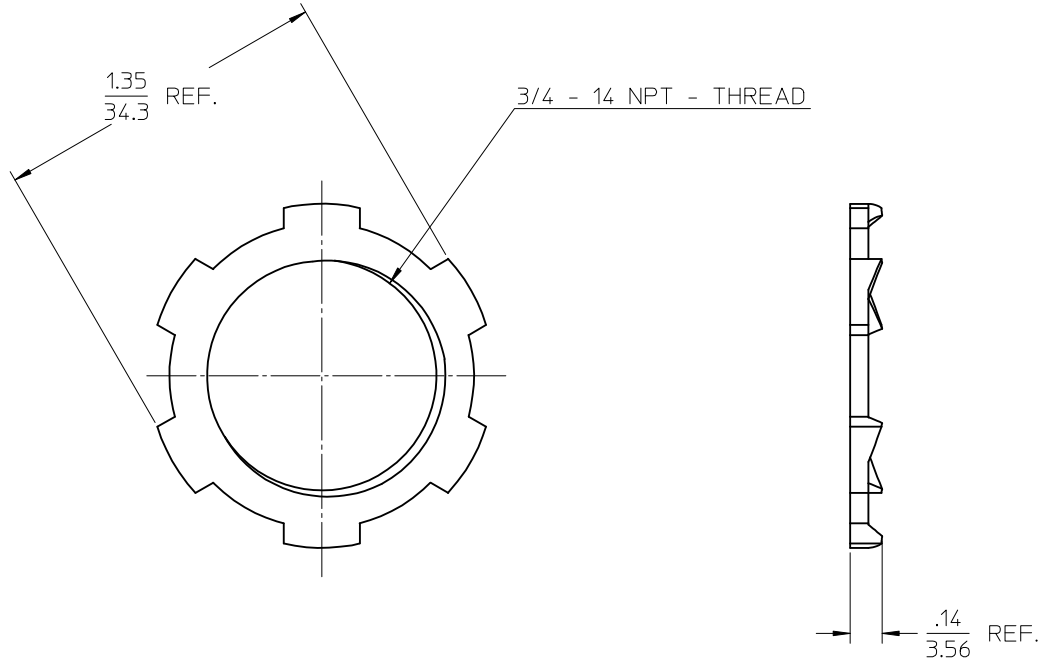
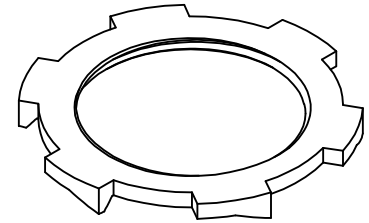
**Need more information on product
environmental compliance?**

Email productcompliance@molex.com
 For a multiple part number RoHS Certificate of
 Compliance, [click here](#)

Please visit the [Contact Us](#) section for any
 non-product compliance questions.

Search Parts in this Series
[130099Series](#)

MATERIAL NO.	OLD PART NUMBER	MATERIAL
1300990144	5602	STEEL ZINC PLATED



RELEASED EC NO: WNA2009-0850 DRWN: SGARCIA 2009/07/01 CHKD: B. WOODMAN APPR: JF MURPHY 2009/07/08	QUALITY SYMBOLS	GENERAL TOLERANCES (UNLESS SPECIFIED)		DIMENSION STYLE		SCALE	DESIGN UNITS	THIRD ANGLE PROJECTION		
	▼=0 ∇=0		mm	INCH	IN/MM		2:1	INCH	3/4" LOCKNUT	
		4 PLACES	±---	±---	DRAWN BY	DATE	Molex MOLEX INCORPORATED DOCUMENT NO. SD-130099-144 SHEET NO. 1 OF 1			
		3 PLACES	±---	±---	CHECKED BY	DATE				
2 PLACES	±---	±.010	B. WOODMAN	2009/06/18						
1 PLACE	±0.26	±---	APPROVED BY	DATE	MATERIAL NO.		THIS DRAWING CONTAINS INFORMATION THAT IS PROPRIETARY TO MOLEX INCORPORATED AND SHOULD NOT BE USED WITHOUT WRITTEN PERMISSION			
			ANGULAR ±1/2°	SEE CHART						
DRAFT WHERE APPLICABLE MUST REMAIN WITHIN DIMENSIONS										