

**PLEASE CHECK WWW.MOLEX.COM FOR LATEST PART INFORMATION**

**Part Number:** [0192150028](#)  
**Status:** **Active**  
**Description:** VersaKrimp™ Butt Splice for 10-12 AWG Wire

**Documents:**

[Drawing \(PDF\)](#) [RoHS Certificate of Compliance \(PDF\)](#)

**Agency Certification**

CSA LR18689  
 UL E32244

**General**

Product Family Splices  
 Series [19215](#)  
 Crimp Quality Equipment Yes  
 Mil-Spec N/A  
 Product Name Butt, VersaKrimp™

**Physical**

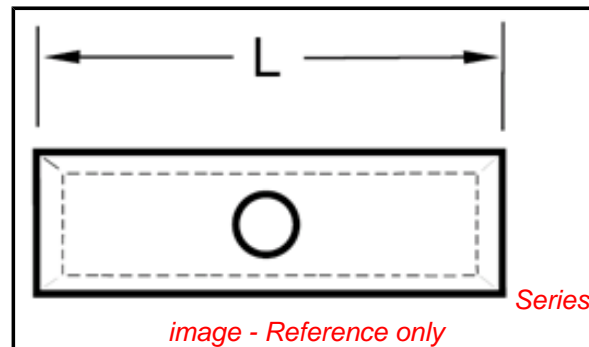
Barrel Type Closed - Brazed  
 Insulation None  
 Packaging Type Bag  
 Temperature Range - Operating 149°C  
 Wire Size AWG 10, 12  
 Wire Size mm² 3.30 - 5.00

**Material Info**

Old Part Number CS-346

**Reference - Drawing Numbers**

Sales Drawing SD-19215-003



**EU RoHS**

**ELV and RoHS Compliant**

**REACH SVHC**

Not Reviewed

**Halogen-Free**

**Status**

**Not Reviewed**

**China RoHS**



**Need more information on product environmental compliance?**

Email [productcompliance@molex.com](mailto:productcompliance@molex.com)  
 For a multiple part number RoHS Certificate of Compliance, [click here](#)

Please visit the [Contact Us](#) section for any non-product compliance questions.

**Search Parts in this Series**

[19215Series](#)

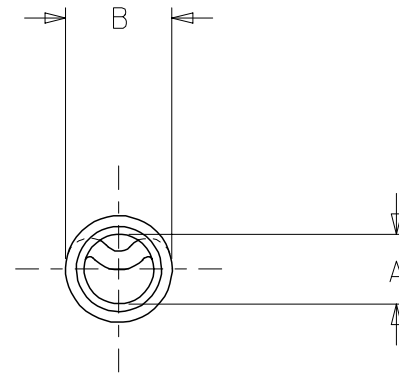
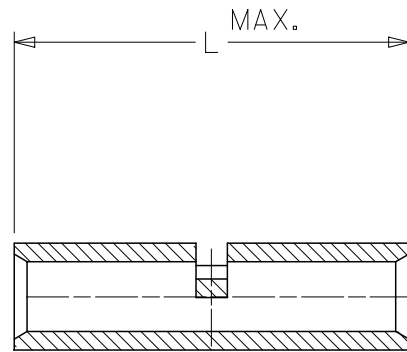
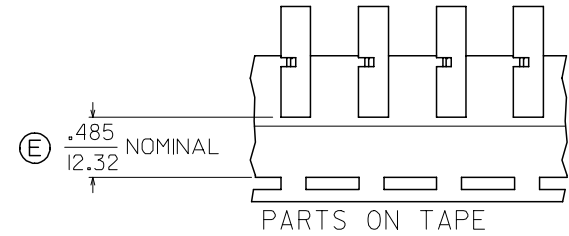
**Application Tooling | FAQ**

*Tooling specifications and manuals are found by selecting the products below. Crimp Height Specifications are then contained in the Application Tooling Specification document.*

**Global**

Description	Product #
Hand Crimp Tool	<a href="#">0640030100</a>
Crimp Head for the AT-200™ Pneumatic Hand Tool	<a href="#">0640070100</a>

MATERIAL NO.	ENGINEERING NO.	"L" MAX	"A" MIN <sup>ⓔ</sup>	"B" MAX	PACKAGING
192150028	CS-346	.827/21.00	.139/3.53	.223/5.66	LOOSE PIECE
192150132	CS-352	.595/15.11	.139/3.53	.223/5.66	
192150030	CS-346T	.827/21.00	.139/3.53	.223/5.66	TAPE MOUNTED
192150252	CS-346US	.827/21.00	.139/3.53	.223/5.66	LOOSE PIECE
192150256	CS-346UST	.827/21.00	.139/3.53	.223/5.66	TAPE MOUNTED



SALES DRAWING

- NOTES:  
 1. MATERIAL: COPPER.  
 2. PLATING: ELECTRO-TIN.  
 3. ALL DIMENSIONS IN INCHES/ MM.  
 ⓔ 4. PART IS ROHS COMPLIANT.

CORRECTED DIM. A & ADDED ROHS EC NO: ETC2007-0397 DRW: DRWNEHLE 2007/04/27 CHKD: JMACNEIL 2007/05/09 APPR: JMACNEIL 2007/05/10	QUALITY SYMBOLS	GENERAL TOLERANCES (UNLESS SPECIFIED)	DIMENSION STYLE IN/MM	SCALE	DESIGN UNITS INCH	THIRD ANGLE PROJECTION																																						
	▽=0 ▽=0	<table border="1"> <thead> <tr> <th></th> <th>mm</th> <th>INCH</th> </tr> </thead> <tbody> <tr> <td>4 PLACES</td> <td>±----</td> <td>±----</td> </tr> <tr> <td>3 PLACES</td> <td>±----</td> <td>±----</td> </tr> <tr> <td>2 PLACES</td> <td>±----</td> <td>±----</td> </tr> <tr> <td>1 PLACE</td> <td>±----</td> <td>±----</td> </tr> </tbody> </table>		mm	INCH	4 PLACES	±----	±----	3 PLACES	±----	±----	2 PLACES	±----	±----	1 PLACE	±----	±----	<table border="1"> <thead> <tr> <th>mm</th> <th>INCH</th> </tr> </thead> <tbody> <tr> <td>±----</td> <td>±----</td> </tr> <tr> <td>±----</td> <td>±----</td> </tr> <tr> <td>±----</td> <td>±----</td> </tr> <tr> <td>±----</td> <td>±----</td> </tr> </tbody> </table>	mm	INCH	±----	±----	±----	±----	±----	±----	±----	±----	<table border="1"> <thead> <tr> <th>DRAWN BY</th> <th>DATE</th> </tr> </thead> <tbody> <tr> <td>JLOMASTRO</td> <td>05/01/07</td> </tr> <tr> <th>CHECKED BY</th> <th>DATE</th> </tr> <tr> <td>RDEROSS</td> <td>05/01/07</td> </tr> <tr> <th>APPROVED BY</th> <th>DATE</th> </tr> <tr> <td>RDEROSS</td> <td>05/01/07</td> </tr> </tbody> </table>	DRAWN BY	DATE	JLOMASTRO	05/01/07	CHECKED BY	DATE	RDEROSS	05/01/07	APPROVED BY	DATE	RDEROSS	05/01/07	TITLE		
		mm	INCH																																									
	4 PLACES	±----	±----																																									
3 PLACES	±----	±----																																										
2 PLACES	±----	±----																																										
1 PLACE	±----	±----																																										
mm	INCH																																											
±----	±----																																											
±----	±----																																											
±----	±----																																											
±----	±----																																											
DRAWN BY	DATE																																											
JLOMASTRO	05/01/07																																											
CHECKED BY	DATE																																											
RDEROSS	05/01/07																																											
APPROVED BY	DATE																																											
RDEROSS	05/01/07																																											
		DRAFT WHERE APPLICABLE MUST REMAIN WITHIN DIMENSIONS	<table border="1"> <thead> <tr> <th>MATERIAL NO.</th> <th>DOCUMENT NO.</th> </tr> </thead> <tbody> <tr> <td>SEE CHART</td> <td>SD-19215-003</td> </tr> </tbody> </table>	MATERIAL NO.	DOCUMENT NO.	SEE CHART	SD-19215-003	BUTT CONNECTOR SEAMLESS 12-10 AWG WIRE SIZE MOLEX INCORPORATED																																				
MATERIAL NO.	DOCUMENT NO.																																											
SEE CHART	SD-19215-003																																											
			<table border="1"> <thead> <tr> <th>SIZE</th> <th>THIS DRAWING CONTAINS INFORMATION THAT IS PROPRIETARY TO MOLEX INCORPORATED AND SHOULD NOT BE USED WITHOUT WRITTEN PERMISSION</th> </tr> </thead> <tbody> <tr> <td>B</td> <td></td> </tr> </tbody> </table>	SIZE	THIS DRAWING CONTAINS INFORMATION THAT IS PROPRIETARY TO MOLEX INCORPORATED AND SHOULD NOT BE USED WITHOUT WRITTEN PERMISSION	B				<table border="1"> <thead> <tr> <th>SHEET NO.</th> </tr> </thead> <tbody> <tr> <td>1 OF 1</td> </tr> </tbody> </table>	SHEET NO.	1 OF 1																																
SIZE	THIS DRAWING CONTAINS INFORMATION THAT IS PROPRIETARY TO MOLEX INCORPORATED AND SHOULD NOT BE USED WITHOUT WRITTEN PERMISSION																																											
B																																												
SHEET NO.																																												
1 OF 1																																												