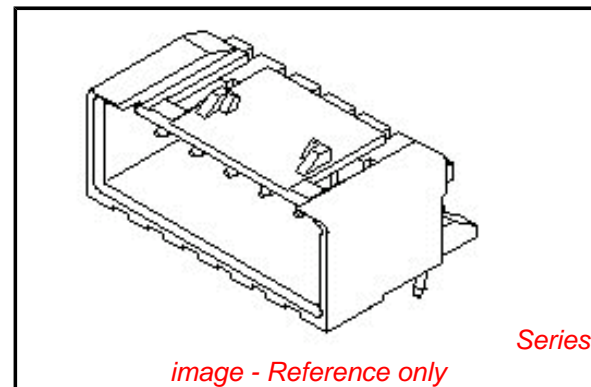


PLEASE CHECK WWW.MOLEX.COM FOR LATEST PART INFORMATION

Part Number: [0534261210](#)
Status: **Active**
Overview: [minilock](#)
Description: 2.50mm (.098") Pitch Mini-Lock™ Wire-to-Board Header, Right Angle, Friction and Positive Lock, 12 Circuits, Lead-free

Documents:

| | |
|--|--|
| 3D Model | Product Specification PS-51103-007 (PDF) |
| Drawing (PDF) | Product Specification PS-51163-001 (PDF) |
| Product Specification PS-51102-002 (PDF) | Product Specification PS-51163-002 (PDF) |
| Product Specification PS-51103-005 (PDF) | RoHS Certificate of Compliance (PDF) |



Agency Certification

| | |
|-----|-----------|
| CSA | LR19980 |
| TUV | R72081037 |
| UL | E29179 |

General

| | |
|----------------|--------------------------|
| Product Family | PCB Headers |
| Series | 53426 |
| Application | Wire-to-Board |
| Overview | minilock |
| Product Name | Mini-Lock™ |

Physical

| | |
|--------------------------------|-----------------|
| Breakaway | No |
| Circuits (Loaded) | 12 |
| Circuits (maximum) | 12 |
| Color - Resin | White |
| Durability (mating cycles max) | 30 |
| Flammability | 94V-0 |
| Glow-Wire Compliant | No |
| Keying to Mating Part | Yes |
| Lock to Mating Part | Yes |
| Material - Metal | Phosphor Bronze |
| Material - Plating Mating | Tin |
| Material - Plating Termination | Tin |
| Number of Rows | 1 |
| Orientation | Right Angle |
| PC Tail Length (in) | 0.134 In |
| PC Tail Length (mm) | 3.40 mm |
| PCB Locator | No |
| PCB Retention | Yes |
| PCB Thickness Recommended (in) | 0.062 In |
| PCB Thickness Recommended (mm) | 1.60 mm |
| Packaging Type | Tray |
| Pitch - Mating Interface (in) | 0.098 In |
| Pitch - Mating Interface (mm) | 2.50 mm |
| Polarized to PCB | No |
| Shrouded | Fully |
| Stackable | No |
| Surface Mount Compatible (SMC) | No |
| Temperature Range - Operating | -40°C to +105°C |
| Termination Interface: Style | Through Hole |

Electrical

EU RoHS

ELV and RoHS Compliant
REACH SVHC Contains SVHC: No
Halogen-Free Status
Not Reviewed

China RoHS



Need more information on product environmental compliance?

Email productcompliance@molex.com
 For a multiple part number RoHS Certificate of Compliance, [click here](#)

Please visit the [Contact Us](#) section for any non-product compliance questions.

Search Parts in this Series

[53426Series](#)

Mates With

[51102](#) Housing with Friction Lock. [51103](#) Housing with Positive Lock. [51163](#) , [51164](#) Housing with Positive Lock and Retainer. [50351](#) Crimp Terminal. [50752](#) Crimp Terminal

Current - Maximum per Contact
Voltage - Maximum

3A
250V

Material Info

Reference - Drawing Numbers

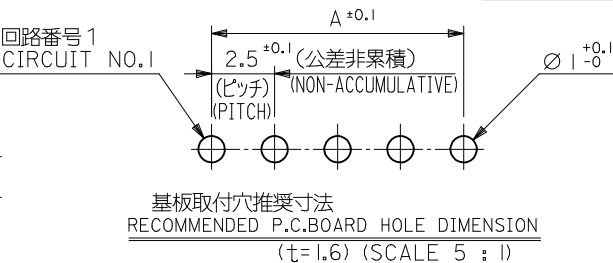
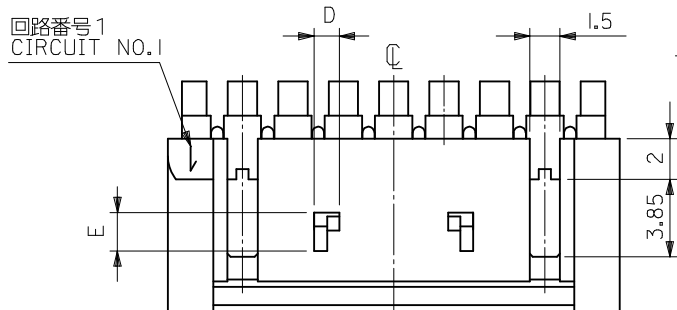
Packaging Specification
Product Specification

SPK-53426-002
PS-51102-002, PS-51103-005, PS-51103-007,
PS-51163-001, PS-51163-002, RPS-51103-010,
RPS-51103-011, RPS-51103-032, RPS-51103-034,
RPS-51103-039, RPS-51103-041, RPS-51103-044,
RPS-51103-047, RPS-51103-050, RPS-51103-056,
RPS-51163-002
SD-53426-001

Sales Drawing

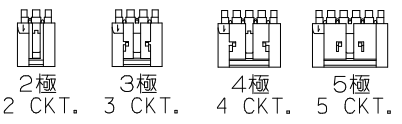
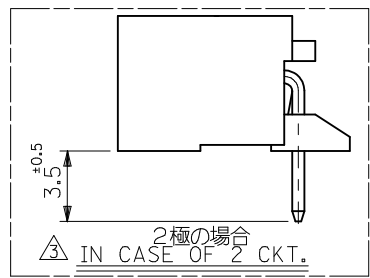
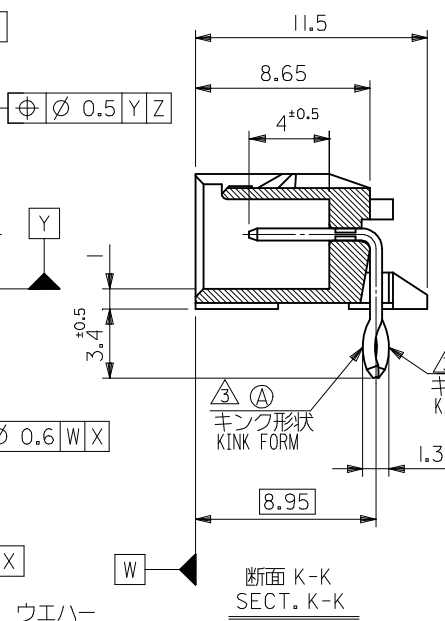
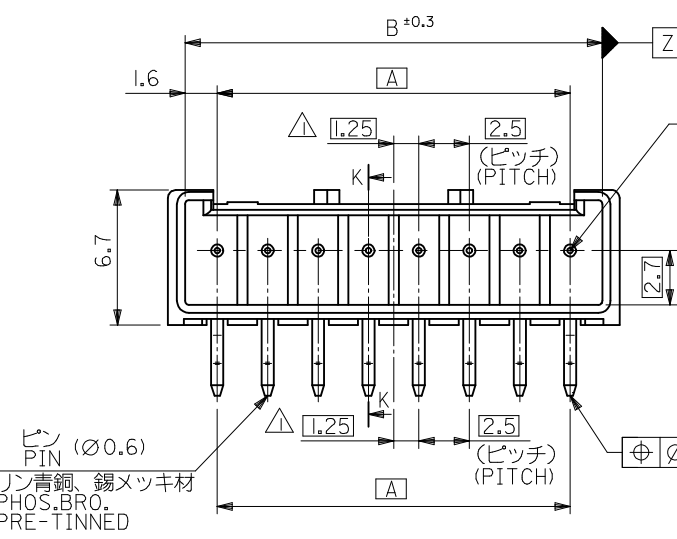
This document was generated on 05/25/2010

PLEASE CHECK WWW.MOLEX.COM FOR LATEST PART INFORMATION



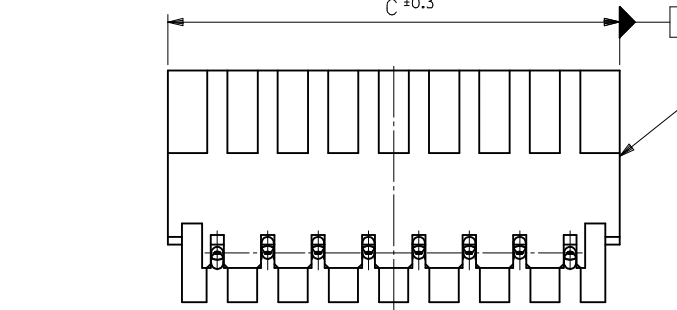
注記 NOTES

- △ 偶数極品に適用。
APPLIES ONLY TO EVEN NO. CKT. SIZES.
- 2. 嵌合相手：51102,51103 シリーズ
MATES WITH : 51102,51103 SERIES.
- △ 2極はキンクを付加しない。
3極以上のキンク形状は両サイドが ②、その他の極はすべて ① 形状とする。
KINK FORM
2 CIRCUIT:PINS TO BE NOT KINKED.
MORE THAN 2 CURCUIT:
PINS AT BOTH ENDS ARE KINK FORMED TO ②, THE OTHER PINS ARE KINK FORMED TO ①.
- 4. 製品番号の下1桁は色を表します。
LAST DIGIT OF PART NUMBER INDICATES COLOR.
0:白 WHITE 2:赤 RED



ロック形状図 LOCK CONFIGURATION

| | | | | | | | |
|-----|------|------|------|------|--------------------------|----------------------------|-----------------------|
| 1.9 | 1.25 | 39.9 | 38.2 | 35 | | 53426-1510 | 15 |
| | | 37.4 | 35.7 | 32.5 | | 53426-1410 | 14 |
| | | 34.9 | 33.2 | 30 | | 53426-1310 | 13 |
| | | 32.4 | 30.7 | 27.5 | | 53426-1210 | 12 |
| | | 29.9 | 28.2 | 25 | | 53426-1110 | 11 |
| | | 27.4 | 25.7 | 22.5 | | 53426-1010 | 10 |
| | | 24.9 | 23.2 | 20 | | 53426-0910 | 9 |
| | | 22.4 | 20.7 | 17.5 | | 53426-0810 | 8 |
| | | 19.9 | 18.2 | 15 | | 53426-0710 | 7 |
| | | 17.4 | 15.7 | 12.5 | | 53426-0610 | 6 |
| | | 14.9 | 13.2 | 10 | | 53426-0510 | 5 |
| | 1.25 | 12.4 | 10.7 | 7.5 | 53426-0412 | 53426-0410 | 4 |
| 1.9 | 1 | 9.9 | 8.2 | 5 | | 53426-0310 | 3 |
| # | # | 7.4 | 5.7 | 2.5 | | 53426-0210 | 2 |
| E | D | C | B | A | 53426-***12 COLOR:RED | 53426-***10 COLOR:WHITE | 極数 NO. OF CKTS. |



| | | | | | |
|--|---|--|--|--|--|
| REVISED EC NO: J2009-0576 DRWN:NAKAMURAA 2008/12/16 CHKD:T. HARUYAMA 2008/12/16 APPR:NUKITA 2009/01/19 | DESCRIPTION GENERAL TOLERANCES (UNLESS SPECIFIED) 10 UNDER ±0.2 10 OVER 30 UNDER ±0.25 30 OVER ±0.3 ANGULAR ±3 ° DRAFT WHERE APPLICABLE MUST REMAIN WITHIN DIMENSIONS | DIMENSION STYLE MM ONLY DRAWN BY DATE K. TOJO 1993/07/23 CHECKED BY DATE K. ASAKAWA 2001/11/13 APPROVED BY DATE T. YAMAGUCHI 2001/11/13 MATERIAL NO. | SCALE 4:1 DESIGN UNITS METRIC THIRD ANGLE PROJECTION | MODEL NO. 53426-***1* | |
| | | | | TITLE 2.5 W/B CONN.WAFER ASSY RIGHT ANGLE WITH KINK -LEAD FREE- | |
| | | | | MOLEX INCORPORATED | |
| | | | | DOCUMENT NO. SD-53426-001 SHEET NO. 1 OF 1 | |