

PLEASE CHECK WWW.MOLEX.COM FOR LATEST PART INFORMATION

Part Number: [0365010026](#)
Status: **Active**
Overview: [din_41612](#)
Description: 2.54mm (.100") Pitch DIN 41612 C/2 Style Female Receptacle, Vertical, Through Hole, 0.60µm (24µ") Selective Gold (Au) Plating, 48 Circuits, Solder Tail Length 4.50mm (.177"), without Mounting Clips, No Flux Proof, Lead Free

Documents:

[Drawing \(PDF\)](#) [RoHS Certificate of Compliance \(PDF\)](#)
[Product Specification PS-36500-001 \(PDF\)](#)

General

Product Family	Backplane Connectors
Series	36501
Application	Daughtercard
Comments	No Mounting Clips, Secured with Tubular Rivets/ Cheesehead Screws. No Flux Proof
Component Type	PCB Receptacle
Overview	din_41612
Product Name	IEC 603-2/DIN 41612
Style	C/2

Physical

Circuits (Loaded)	48
Circuits (maximum)	48
Circuits Detail	1,2,3,...16; a+b+c
Color - Resin	Gray
Durability (mating cycles max)	400
First Mate / Last Break	No
Guide to Mating Part	No
Keying to Mating Part	Yes
Material - Metal	Phosphor Bronze
Material - Plating Mating	Gold
Material - Plating Termination	Tin
Material - Resin	Polyester
Number of Columns	24
Number of Pairs	Open Pin Field
Number of Rows	3
Orientation	Vertical
PC Tail Length (in)	0.177 In
PC Tail Length (mm)	4.50 mm
PCB Locator	No
PCB Retention	Yes
PCB Thickness Recommended (in)	0.063 In
PCB Thickness Recommended (mm)	1.60 mm
Packaging Type	Carton
Pitch - Mating Interface (in)	0.100 In
Pitch - Mating Interface (mm)	2.54 mm
Pitch - Term. Interface (in)	0.100 In
Pitch - Term. Interface (mm)	2.54 mm
Plating min: Mating (µin)	24
Plating min: Mating (µm)	0.60
Polarized to PCB	Yes
Stackable	No
Surface Mount Compatible (SMC)	No
Temperature Range - Operating	-55°C to +125°C

EU RoHS **China RoHS**

Compliance Status

Not Reviewed

REACH SVHC

Not Reviewed

Halogen-Free

Status

Not Reviewed

Need more information on product environmental compliance?

Email productcompliance@molex.com
 For a multiple part number RoHS Certificate of Compliance, [click here](#)

Please visit the [Contact Us](#) section for any non-product compliance questions.

Search Parts in this Series

[36501Series](#)

Termination Interface: Style Through Hole

Electrical

Current - Maximum per Contact 1A
Data Rate 622.0 Mbps
Voltage - Maximum 1000V (RMS)

Material Info

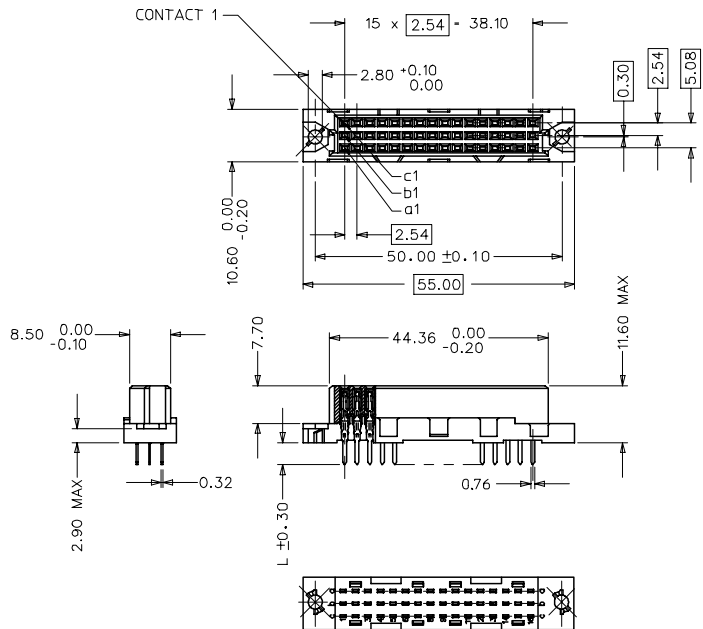
Old Part Number MMB2502C480

Reference - Drawing Numbers

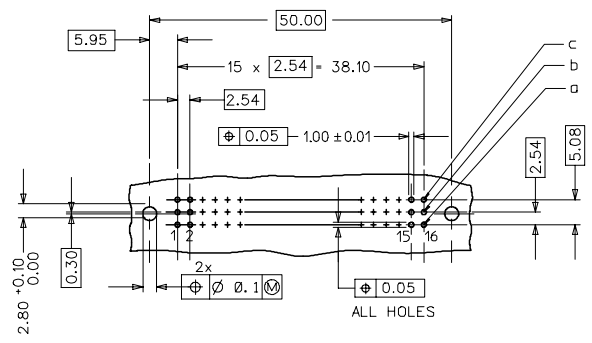
Packaging Specification PK-36501-001
Product Specification PS-36500-001
Sales Drawing SD-36501-0001

This document was generated on 05/13/2010

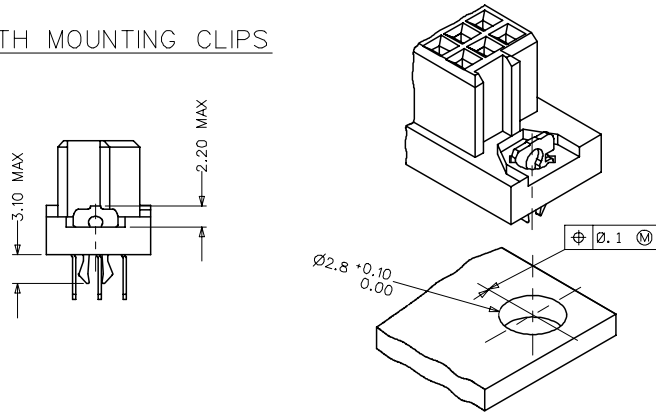
PLEASE CHECK WWW.MOLEX.COM FOR LATEST PART INFORMATION



RECOMMENDED PCB LAYOUT
COMPONENT SIDE



WITH MOUNTING CLIPS



NOTES:

- MATERIALS: THERMOPLASTIC POLYESTER, GLASS FILLED, UL94V-0. COLOUR: PEBBLE GREY RAL 7032
TERMINAL - PHOSPHOR BRONZE
MOUNTING CLIP: STEEL
- FINISH: TERMINAL:-
CONTACT AREA
 - PERFORMANCE LEVEL 1: SELECTIVE GOLD (Au), THICKNESS = 1.1 MICROMETER OVER NICKEL, THICKNESS = 1.5 MICROMETER
 - PERFORMANCE LEVEL 2: SELECTIVE GOLD (Au), THICKNESS = 0.6 MICROMETER OVER NICKEL, THICKNESS = 1.5 MICROMETER
 - PERFORMANCE LEVEL 3: SELECTIVE GOLD (Au), THICKNESS = 0.3 MICROMETER OVER NICKEL, THICKNESS = 1.5 MICROMETER
 TERMINATION AREA:
SELECTIVE TIN, THICKNESS = 5 MICROMETER
OVER NICKEL, THICKNESS = 1.5 MICROMETER OVERALL
- MOUNTING CLIP:-
TIN (Sn), THICKNESS = 5-10 MICROMETER,
OVER NICKEL (Ni), THICKNESS = 2.5 MICROMETER
- FOR NON MOUNTING CLIP OPTION, CONNECTOR TO BE SECURED WITH RIVETS: 2 TUBULAR RIVETS 2.5 x 0.3 ... DIN 7340
SCREWS: 2 CHEESEHEAD SCREWS M2.5 x ... DIN 84 AND 2 HEXAGONAL NUTS M2.5 DIN 934
- MATERIAL No, BATCH CODE, UL AND CSA MARKING TO BE PRINTED ON THE CONNECTOR.
- CUT FACES OF TIP WITHOUT PLATING PERMITTED.
- PRODUCT SPECIFICATION PS-36500-001

RoHS COMPLIANT

ENTER DESCRIPTION ELC INC 2007/04/25 DRWNGSATTI/MARAD 2006/10/10 CHKD/SSUDHIR 2006/10/11 APPR/SSUDHIR 2006/10/16	QUALITY SYMBOLS ▽=0 ▽=0	GENERAL TOLERANCES (UNLESS SPECIFIED)		DIMENSION STYLE MM ONLY		SCALE 2:1	DESIGN UNITS METRIC	THIRD ANGLE PROJECTION	
		4 PLACES ± --- ± --- 3 PLACES ± 0.005 ± --- 2 PLACES ± 0.1 ± --- 1 PLACE ± 0.15 ± ---	INCH ± --- ± --- ± ---	DRAWN BY SHANKAR	DATE 2006/04/25	TITLE ASSY DIN41612 C/2 FEMALE 48 POS 1.0MM PCB DIA	MOLEX INCORPORATED		
DRAFT WHERE APPLICABLE MUST REMAIN WITHIN DIMENSIONS	SEE SHEET 2	MATERIAL NO. SD-36501-0001	DOCUMENT NO. SD-36501-0001	SHEET NO. 1 OF 2		THIS DRAWING CONTAINS INFORMATION THAT IS PROPRIETARY TO MOLEX INCORPORATED AND SHOULD NOT BE USED WITHOUT WRITTEN PERMISSION			

	20	19	18	17	16	15	14	13	12	11	10	9	8	7	6	5	4	3	2	1
	MATERIAL No	MOLEX ENG No	PERF LEVEL	PLATING	CONTACT SEQUENCE/ROW	DIM "L" mm	MOUNTING CLIP	FLUX PROOF												
	36501-0001	MM-B2401-C480	1	Au+Ni	1.2.3....16 a+b+c	2.9	NO	NO												
	36501-0002	MM-B2501-C480	2	Au+Ni	1.2.3....16 a+b+c	2.9	NO	NO												
	36501-0003	MM-B2601-C480	3	Au+Ni	1.2.3....16 a+b+c	2.9	NO	NO												
L	36501-0007	MM-B2401-C410	1	Au+Ni	1.2.3....16 a+b+c	2.9	YES	NO												
	36501-0008	MM-B2501-C410	2	Au+Ni	1.2.3....16 a+b+c	2.9	YES	NO												
	36501-0009	MM-B2601-C410	3	Au+Ni	1.2.3....16 a+b+c	2.9	YES	NO												
	36501-0013	MM-B2401-C480-133	1	Au+Ni	1.2.3....16 a+b+c	2.9	NO	YES												
	36501-0014	MM-B2501-C480-133	2	Au+Ni	1.2.3....16 a+b+c	2.9	NO	YES												
K	36501-0015	MM-B2601-C480-133	3	Au+Ni	1.2.3....16 a+b+c	2.9	NO	YES												
	36501-0019	MM-B2401-C410-133	1	Au+Ni	1.2.3....16 a+b+c	2.9	YES	YES												
	36501-0020	MM-B2501-C410-133	2	Au+Ni	1.2.3....16 a+b+c	2.9	YES	YES												
	36501-0021	MM-B2601-C410-133	3	Au+Ni	1.2.3....16 a+b+c	2.9	YES	YES												
J	36501-0025	MM-B2402-C480	1	Au+Ni	1.2.3....16 a+b+c	4.5	NO	NO												
	36501-0026	MM-B2502-C480	2	Au+Ni	1.2.3....16 a+b+c	4.5	NO	NO												
	36501-0027	MM-B2602-C480	3	Au+Ni	1.2.3....16 a+b+c	4.5	NO	NO												
	36501-0031	MM-B2402-C410	1	Au+Ni	1.2.3....16 a+b+c	4.5	YES	NO												
	36501-0032	MM-B2502-C410	2	Au+Ni	1.2.3....16 a+b+c	4.5	YES	NO												
I	36501-0033	MM-B2602-C410	3	Au+Ni	1.2.3....16 a+b+c	4.5	YES	NO												
	36501-0037	MM-B2402-C480-133	1	Au+Ni	1.2.3....16 a+b+c	4.5	NO	YES												
	36501-0038	MM-B2502-C480-133	2	Au+Ni	1.2.3....16 a+b+c	4.5	NO	YES												
	36501-0039	MM-B2602-C480-133	3	Au+Ni	1.2.3....16 a+b+c	4.5	NO	YES												
H	36501-0043	MM-B2402-C410-133	1	Au+Ni	1.2.3....16 a+b+c	4.5	YES	YES												
	36501-0044	MM-B2502-C410-133	2	Au+Ni	1.2.3....16 a+b+c	4.5	YES	YES												
	36501-0045	MM-B2602-C410-133	3	Au+Ni	1.2.3....16 a+b+c	4.5	YES	YES												

RoHS COMPLIANT

ENTER DESCRIPTION ELC INC. 12007 0044 DRWNGSATTI/MARAD 2006/10/10 CHKD/SSUDHIR 2006/10/11 APPR/SSUDHIR 2006/10/16	QUALITY SYMBOLS 	GENERAL TOLERANCES (UNLESS SPECIFIED)		DIMENSION STYLE MM ONLY		SCALE ---	DESIGN UNITS METRIC	THIRD ANGLE PROJECTION	
		4 PLACES ±---± 3 PLACES ±---± 2 PLACES ±---± 1 PLACE ±---±	mm INCH ±---± ±---± ±---± ±---± ±---± ±---±	DRAWN BY SHANKAR	DATE 2006/04/25	TITLE ASSY DIN41612 C/2 FEMALE 48 POS 1.0MM PCB DIA			
		ANGULAR ±---°		CHECKED BY SSUDHIR	DATE 2006/04/25	APPROVED BY SSUDHIR			
		DRAFT WHERE APPLICABLE MUST REMAIN WITHIN DIMENSIONS		MATERIAL NO. SEE CHART	DOCUMENT NO. SD-36501-0001	MOLEX INCORPORATED			
SIZE A 1		THIS DRAWING CONTAINS INFORMATION THAT IS PROPRIETARY TO MOLEX INCORPORATED AND SHOULD NOT BE USED WITHOUT WRITTEN PERMISSION						SHEET NO. 2 OF 2	