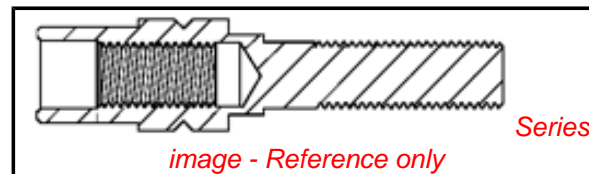


PLEASE CHECK WWW.MOLEX.COM FOR LATEST PART INFORMATION

Part Number: [0830410005](#)
Status: **Active**
Overview: [commercial_microd](#)
Description: Jackpost for Commercial Micro-D PCB Mount Plugs, 2-56 UNC-2B Internal Thread



Documents:
[Drawing \(PDF\)](#)

[RoHS Certificate of Compliance \(PDF\)](#)

General

Product Family	Accessories
Series	83041
Component Type	Jackpost
Overview	commercial_microd
Product Name	Commercial Micro-D

Physical

Circuits (Loaded)	N/A
Lock to Mating Part	Yes
Packaging Type	Bag

Material Info

Reference - Drawing Numbers

Sales Drawing	SD-83041-005
---------------	--------------

EU RoHS

**ELV and RoHS
Compliant**
**REACH SVHC
Contains SVHC: No**
**Halogen-Free
Status
Not Reviewed**

China RoHS



**Need more information on product
environmental compliance?**

Email productcompliance@molex.com
 For a multiple part number RoHS Certificate of
 Compliance, [click here](#)

Please visit the [Contact Us](#) section for any
 non-product compliance questions.

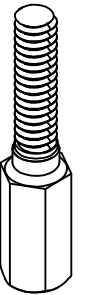
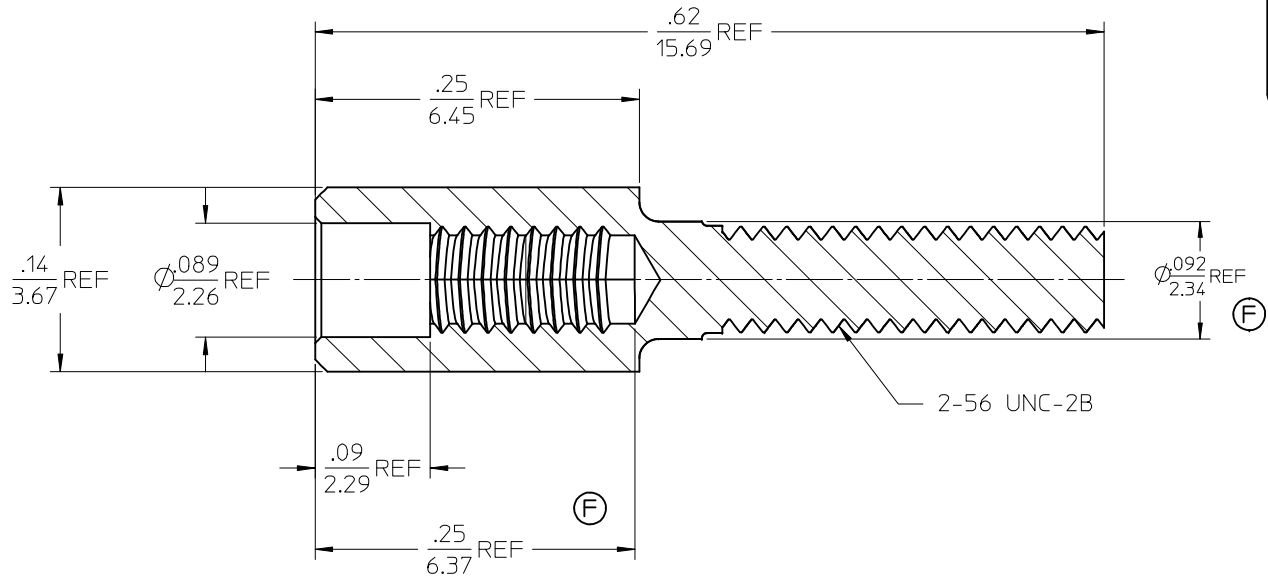
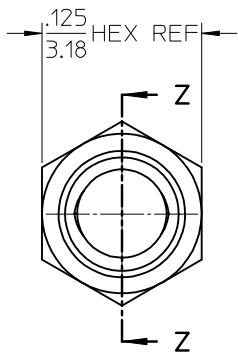
Search Parts in this Series

[83041Series](#)

Use With

[83611](#) 9 Circuit Commercial Micro-D Plug.
[83612](#) 15 Circuit Commercial Micro-D Plug.
[83614](#) 25 Circuit Commercial Micro-D Plug.
[83619](#) Dual Stack Commercial Micro-D Plug

10 9 8 7 6 5 4 3 2 1



SECTION Z-Z

- NOTES:
 1. MATERIAL: STAINLESS STEEL 303,
 PASSIVATE PER QQ-P-35
 2. RoHS COMPLIANT

UPDATE GEOM EC NO: WNA2009-0128 TDRWINBRUPERT 2009/01/28 CHKD:BRUPERT APPR: JFMURPHY 2009/01/30	DESCRIPTION REV	QUALITY SYMBOLS	GENERAL TOLERANCES (UNLESS SPECIFIED) 4 PLACES ± --- ± --- 3 PLACES ± --- ± .005 2 PLACES ± 0.13 ± .010 1 PLACE ± 0.25 ± --- ANGULAR ± 1/2°	DIMENSION STYLE	SCALE	DESIGN UNITS	THIRD ANGLE PROJECTION	
				IN/MM	10:1	INCH		
				DRAWN BY	DATE	TITLE		
				JLOMASTR	05/02/18	JACKPOST 2-56 THREAD		
				CHECKED BY	DATE			
				RDEROSS	05/02/18			
				APPROVED BY	DATE			
				RDEROSS	05/02/18			
				MATERIAL NO.	DOCUMENT NO.			
				830410005	SD-83041-005			
				SIZE	SHEET NO.			
				A3	1 OF 1			
				THIS DRAWING CONTAINS INFORMATION THAT IS PROPRIETARY TO MOLEX INCORPORATED AND SHOULD NOT BE USED WITHOUT WRITTEN PERMISSION				

9 8 7 6 5 4 3 2 1