

PLEASE CHECK WWW.MOLEX.COM FOR LATEST PART INFORMATION

Part Number: [0877730005](#)
Status: **Active**
Description: 3-Pin Header, Staggered, Vertical, Through Hole, Lead-free

Documents:

[Drawing \(PDF\)](#) [RoHS Certificate of Compliance \(PDF\)](#)
[Product Specification PS-87773-009 \(PDF\)](#)

General

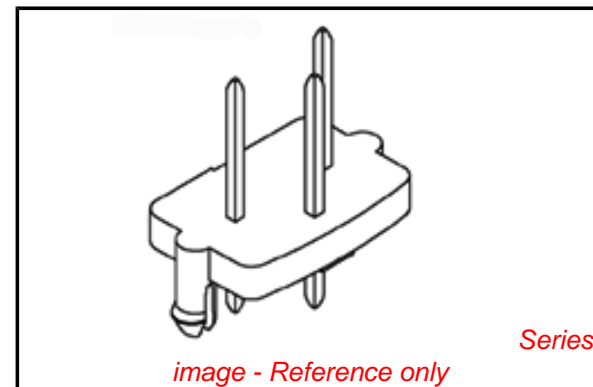
Product Family	PCB Headers
Series	87773
Application	Wire-to-Board
Product Name	N/A

Physical

Breakaway	No
Circuits (Loaded)	3
Circuits (maximum)	3
Color - Resin	Natural
First Mate / Last Break	No
Glow-Wire Compliant	No
Guide to Mating Part	No
Keying to Mating Part	Yes
Lock to Mating Part	No
Material - Plating Mating	Tin
Material - Plating Termination	Tin
Material - Resin	Nylon
Number of Rows	2
Orientation	Vertical
PC Tail Length (in)	0.138 In
PC Tail Length (mm)	3.50 mm
PCB Locator	Yes
PCB Retention	Yes
PCB Thickness Recommended (in)	0.063 In
PCB Thickness Recommended (mm)	1.60 mm
Packaging Type	Tube
Pitch - Mating Interface (in)	0.122 In
Pitch - Mating Interface (mm)	3.10 mm
Pitch - Term. Interface (in)	0.122 In
Pitch - Term. Interface (mm)	3.10 mm
Plating min: Mating (µin)	200
Plating min: Mating (µm)	5
Plating min: Termination (µin)	200
Plating min: Termination (µm)	5
Polarized to Mating Part	Yes
Polarized to PCB	Yes
Shrouded	No
Stackable	No
Surface Mount Compatible (SMC)	No
Temperature Range - Operating	-40°C to +90°C
Termination Interface: Style	Through Hole

Electrical

Current - Maximum per Contact	1.5A
Voltage - Maximum	250V DC



EU RoHS

**ELV and RoHS
Compliant**
REACH SVHC
 Not Reviewed
**Halogen-Free
Status**

China RoHS



**Need more information on product
environmental compliance?**

Email productcompliance@molex.com
 For a multiple part number RoHS Certificate of
 Compliance, [click here](#)

Please visit the [Contact Us](#) section for any
 non-product compliance questions.

Search Parts in this Series

87773Series

Material Info

Reference - Drawing Numbers

Product Specification

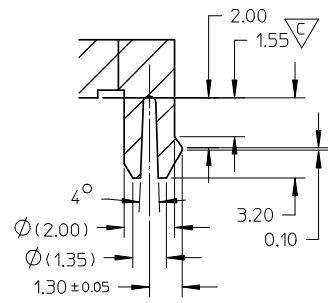
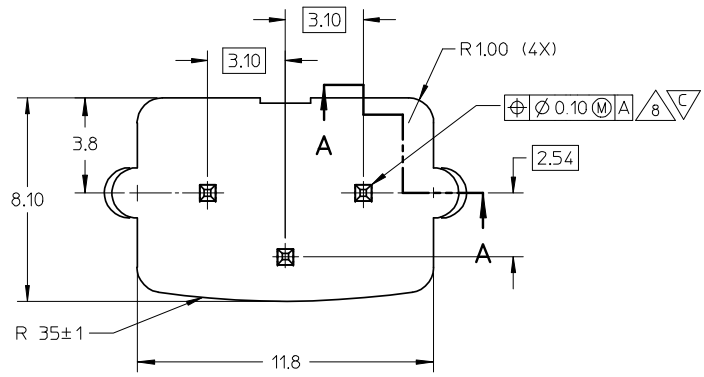
PS-87773-009

Sales Drawing

SD-87773-010

This document was generated on 04/19/2010

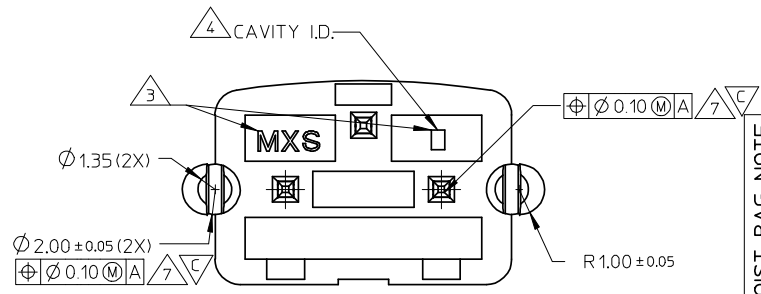
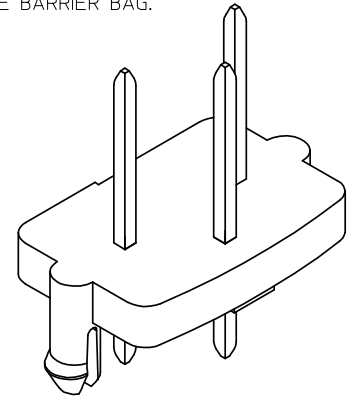
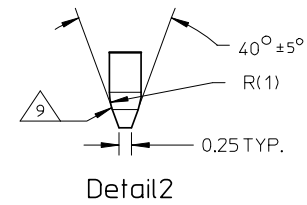
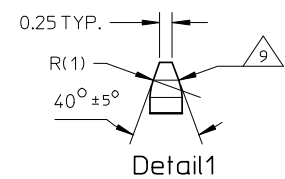
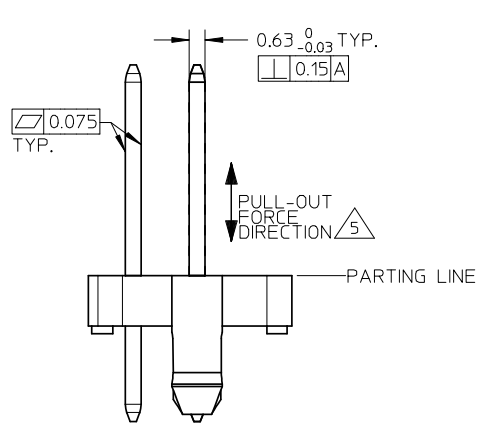
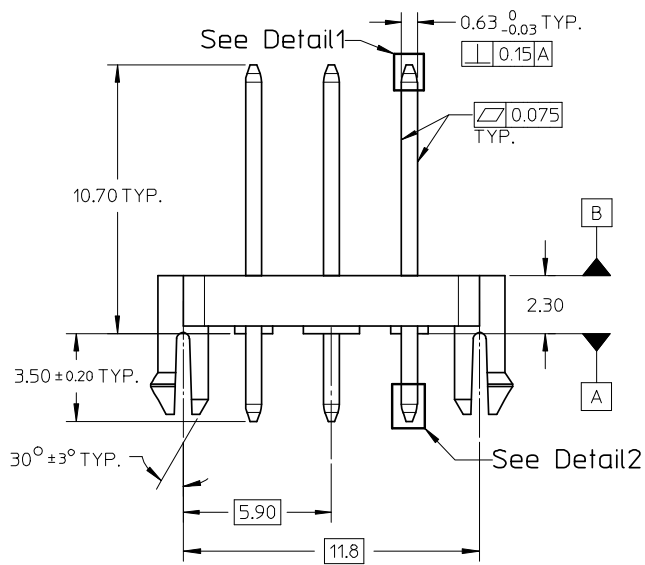
PLEASE CHECK WWW.MOLEX.COM FOR LATEST PART INFORMATION



SECTION A-A

NOTES

1. MATERIAL: THERMO-PLASTIC, PA 6/6, GLASS FILLED, COLOR: NATURAL (BIEGE).
TERMINAL: COPPER ALLOY, BRASS C26000.
2. PLATING: OVERALL 5µm TO 10µm TIN OVER 2µm TO 4µm NICKEL UNDERPLATE.
3. MOLEX LOGO AND CAVITY I.D. LOCATED APPROXIMATELY AS SHOWN.
4. CAVITY NUMBER, eg, 1 FOR CAVITY 1.
5. MINIMUM RETENTION FORCE PER PIN: 10N.
6. PERMISSIBLE DRAFT 1°.
7. TO BE MEASURED AT DATUM A.
8. TO BE MEASURED AT DATUM B.
9. NO BURR AT COINED TIP.
10. PRODUCT SPECIFICATION: PS-87773-009.
11. PACKAGING: TUBE.
12. PARTS SHALL BE PACKED IN MOISTURE BARRIER BAG.

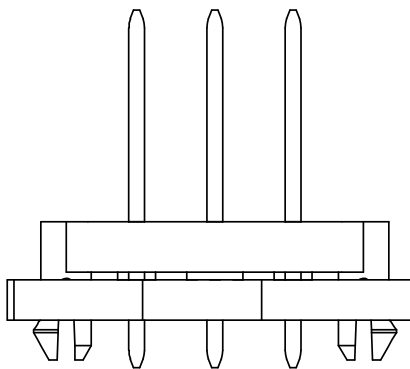
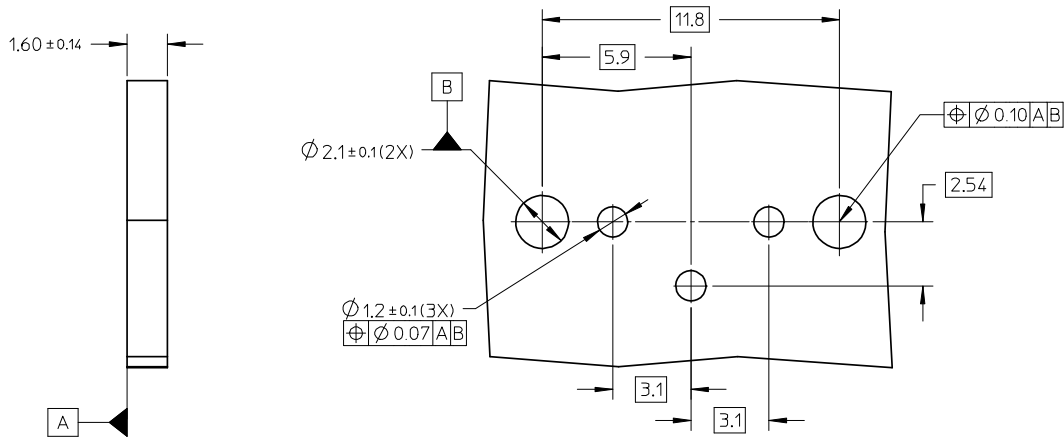


ADD MOIST BAG NOTE EC NO: S2008-0564 DRWN:SKANG CHKD:ATSEE APPR:MLONG	2008/02/11	2008/02/11	2008/02/12
	DESCRIPTION	REV	

QUALITY SYMBOLS ▽=0 C=4	GENERAL TOLERANCES (UNLESS SPECIFIED)	
	mm	INCH
	4 PLACES ± --- ± ---	
	3 PLACES ± --- ± ---	
	2 PLACES ± 0.10 ± ---	
	1 PLACE ± 0.2 ± ---	
	ANGULAR ± 3 °	
DRAFT WHERE APPLICABLE MUST REMAIN WITHIN DIMENSIONS		

DIMENSION STYLE MM ONLY	
DRAWN BY DKOH	DATE 2002/11/12
CHECKED BY KCLING	DATE 2002/12/02
APPROVED BY SKTOH	DATE 2002/12/02
MATERIAL NO. 87773-0005	

SCALE NTS	DESIGN UNITS METRIC	THIRD ANGLE PROJECTION
TITLE 3 PIN HEADER STAGGERED VERT THRU-HOLE SIREN SYSTEM		
MOLEX MOLEX INCORPORATED		SHEET NO. 1 OF 2
DOCUMENT NO. SD-87773-010		



ADD MOIST BAG NOTE EC NO: S2008-0564 2008/02/11 DRWN:SKANG 2008/02/11 CHKD:ATSEE 2008/02/11 APPR:MLONG 2008/02/12	REV DESCRIPTION A4	QUALITY SYMBOLS	GENERAL TOLERANCES (UNLESS SPECIFIED)	DIMENSION STYLE	SCALE	DESIGN UNITS	THIRD ANGLE PROJECTION	
		▼=0 ∇=0	mm INCH 4 PLACES ± --- ± --- 3 PLACES ± --- ± --- 2 PLACES ± 0.10 ± --- 1 PLACE ± 0.2 ± --- ANGULAR ± 3 °	MM ONLY	NTS	METRIC	☉ □ THIRD ANGLE PROJECTION	
			DRAFT WHERE APPLICABLE MUST REMAIN WITHIN DIMENSIONS	DRAWN BY DATE DKOH 2002/11/12 CHECKED BY DATE KCL ING 2002/12/02 APPROVED BY DATE SKTOH 2002/12/02	TITLE	3 PIN HEADER STAGGERED VERT THRU-HOLE SIREN SYSTEM		
				MATERIAL NO. 87773-0005	MOLEX INCORPORATED DOCUMENT NO. SD-87773-010	SHEET NO. 2 OF 2		