

PLEASE CHECK WWW.MOLEX.COM FOR LATEST PART INFORMATION

Part Number: [0942131014](#)
Status: **Active**
Overview: [rast 5 connector system](#)
Description: 5.00mm (.197") Pitch RAST 5 PCB Header, Right Angle, 4 Circuit, Black

Documents:

[3D Model](#) [RoHS Certificate of Compliance \(PDF\)](#)
[Drawing \(PDF\)](#)

General

Product Family	PCB Headers
Series	94213
Application	Wire-to-Board
Overview	rast 5 connector system
Product Name	RAST 5

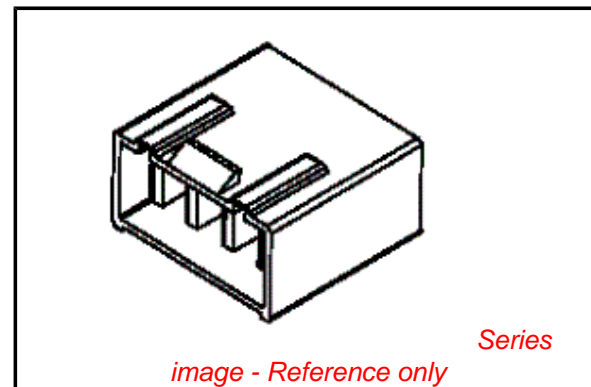
Physical

Breakaway	No
Circuits (Loaded)	4
Circuits (maximum)	4
Color - Resin	Natural
Durability (mating cycles max)	100
Glow-Wire Compliant	No
Lock to Mating Part	None
Material - Metal	Brass
Material - Plating Mating	Tin
Material - Plating Termination	Tin
Material - Resin	Nylon
Number of Rows	1
Orientation	Right Angle
PC Tail Length (in)	0.126 In
PC Tail Length (mm)	3.20 mm
PCB Locator	Yes
PCB Retention	Yes
PCB Thickness Recommended (in)	0.060 In
PCB Thickness Recommended (mm)	1.50 mm
Packaging Type	Bag
Pitch - Mating Interface (in)	0.197 In
Pitch - Mating Interface (mm)	5.00 mm
Pitch - Term. Interface (in)	0.197 In
Pitch - Term. Interface (mm)	5.00 mm
Plating min: Mating (µin)	100
Plating min: Mating (µm)	2.5
Polarized to Mating Part	Yes
Polarized to PCB	Yes
Shrouded	Partial
Stackable	No
Surface Mount Compatible (SMC)	No
Temperature Range - Operating	-40°C to +85°C
Termination Interface: Style	Through Hole

Electrical

Current - Maximum per Contact	25A
Voltage - Maximum	250V

Material Info



EU RoHS

ELV and RoHS Compliant
REACH SVHC
 Not Reviewed
Halogen-Free
Status
Not Reviewed

China RoHS



Need more information on product environmental compliance?

Email productcompliance@molex.com
 For a multiple part number RoHS Certificate of Compliance, [click here](#)

Please visit the [Contact Us](#) section for any non-product compliance questions.

Search Parts in this Series

[94213Series](#)

Mates With

[94540 Housing](#)

Reference - Drawing Numbers

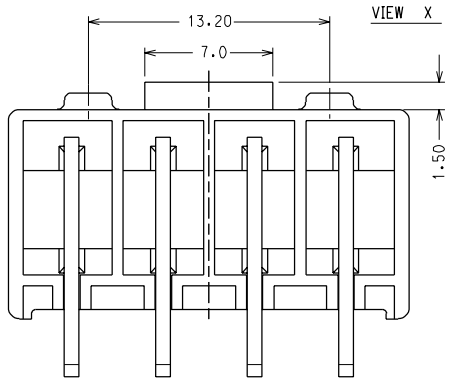
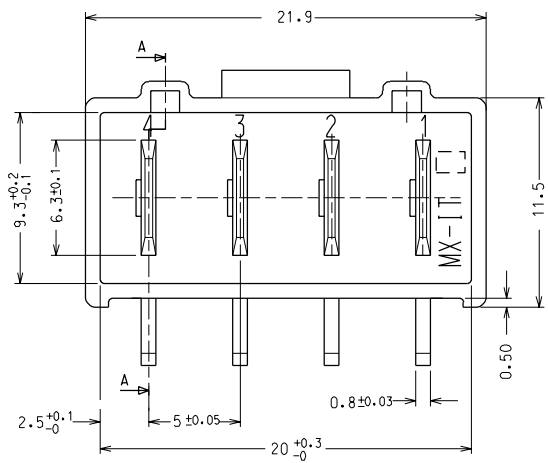
Sales Drawing

SD-94213-10XX

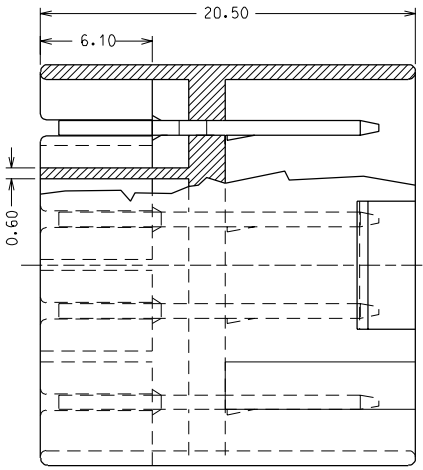
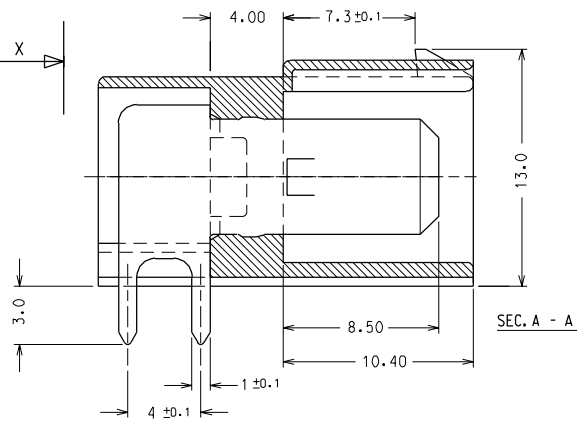
This document was generated on 05/26/2010

PLEASE CHECK WWW.MOLEX.COM FOR LATEST PART INFORMATION

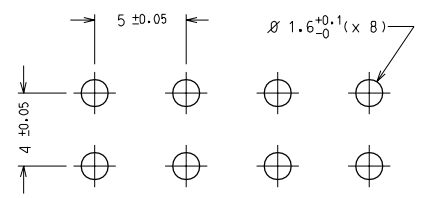
8 7 6 5 4 3 2 1



VIEW X



FORATURA SU C.S.
SUGGESTED PCB LAYOUT



CODICE ART./P/N	COLORE / COLOR
94213-1004	BIANCO / WHITE
94213-1014	NERO / BLACK

MATERIALE:
BLOCCHETTO: NYLON 6.6 HB
MASCHIO: OTTONE STAGNATO

MATERIAL:
HSG: NYLON 6.6 HB
TERMINAL: TIN PLATED BRASS

CONFEZIONE:
BOX DA 2000 pz.

PKG:
CARDBOARD BOXES: 2000 pcs/ea

F
E
D
C
B
A

F
E
D
C
B
A

8 7

A1	ECN 74-043 24-02-94 G.F.	DIMENSIONS SHOWN (METRIC) INCH UNLESS OTHERWISE SPECIFIED TOLERANCES ANGULAR ± 2° INCH (METRIC)	DRWG BY Gottardo						
	ECN Z3-179 01-12-93 G.F. Emissione dis.definitivi.								
A	REVISIONS	<table border="1"> <tr> <td>3 PLACE ±</td> <td></td> </tr> <tr> <td>2 PLACE ±</td> <td>± 0.15</td> </tr> <tr> <td>1 PLACE ±</td> <td>± 0.25</td> </tr> </table>	3 PLACE ±		2 PLACE ±	± 0.15	1 PLACE ±	± 0.25	CHK'D BY
3 PLACE ±									
2 PLACE ±	± 0.15								
1 PLACE ±	± 0.25								
LTR	DESIGN DIMENSION (PRIMARY) <input type="checkbox"/> (MM) <input type="checkbox"/> IN	APP'D BY Previato	SCALE 4 : 1						
	EQUIVALENT DIMENSION (SECONDARY) <input type="checkbox"/> (MM) <input type="checkbox"/> IN.								

REVISE ONLY ON CAD SYSTEM		SH.	REV.
CADCAM FILENAME 9421310S	THIS DRAWING CONTAINS INFORMATION THAT IS PROPRIETARY TO MOLEX INC AND SHOULD NOT BE USED WITHOUT WRITTEN PERMISSION		
TITLE CONNETTORE A 4 VIE CON MASCHI DA 6.3 X 0.8 PER C.S. 4 CKT PCB R/A CONNECTOR (6.3 x 0.8 TABS)			
MOLEX MOLEX INCORPORATED		SHEET NO. DATE 1/1 05-10-92	
PART NO. vedi tabella see table	DWG NO. SD 94213-10XX M	SIZE B	