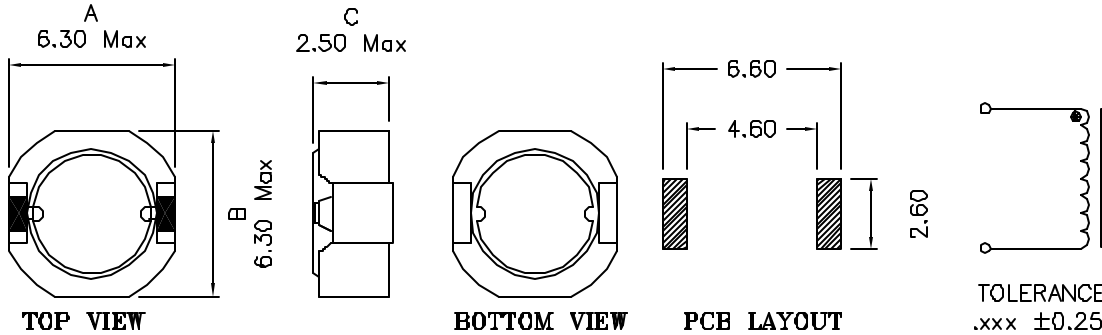


## XF636025SH-xxxx SERIES INDUCTOR

- \* Low profile (2.5mm max)
- \* Ideal for variety of DC-DC converter inductor applications
- \* Magnetically shielded
- \* Available on tape and reel for auto-insertion  
1200 Pcs per 13" Reel
- \* Suitable for reflow soldering
- \* Flamability Rating: UL94V-0

### Mechanical Dimensions:

### Schematic:



Part Number	INDUCTANCE (uH)	Tolerance (%)	DCR (Typ) mOhms	30% Decrease in Inductance Current (A) Max	40°C Temp Rise Current (A) Max
XF636025SH-1R0M	1.0	±20	11	3.48	3.84
XF636025SH-1R5M	1.5	±20	14	2.83	3.40
XF636025SH-2R0M	2.0	±20	17	2.44	3.10
XF636025SH-3R3M	3.3	±20	24	1.89	2.55
XF636025SH-4R3M	4.3	±20	31	1.65	2.23
XF636025SH-6R2M	6.2	±20	43	1.37	1.85
XF636025SH-100M	10.0	±20	64	1.07	1.48
XF636025SH-120M	12.0	±20	75	0.97	1.35
XF636025SH-150M	15.0	±20	87	0.87	1.24
XF636025SH-180M	18.0	±20	110	0.79	1.11
XF636025SH-220M	22.0	±20	130	0.71	1.00
XF636025SH-270M	27.0	±20	170	0.64	0.86
XF636025SH-330M	33.0	±20	195	0.58	0.80
XF636025SH-390M	39.0	±20	245	0.53	0.70
XF636025SH-470M	47.0	±20	290	0.48	0.63
XF636025SH-560M	56.0	±20	345	0.44	0.58
XF636025SH-680M	68.0	±20	400	0.40	0.53
XF636025SH-820M	82.0	±20	465	0.36	0.49
XF636025SH-101M	100.0	±20	650	0.33	0.43

#### NOTES:

1. Frequency Range: 10KHz-1MHz
2. Inductance Range: 1-100uH
3. Operating temperature range -40°C to +85°C