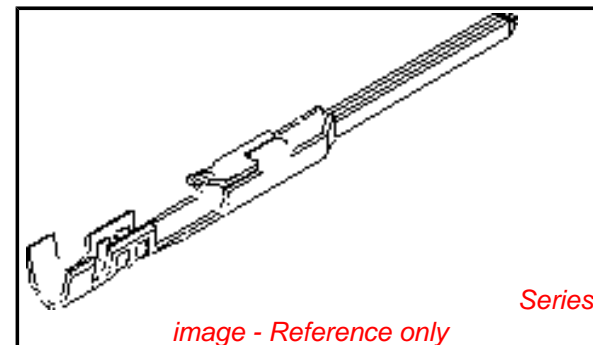


**PLEASE CHECK WWW.MOLEX.COM FOR LATEST PART INFORMATION**

**Part Number:** **0016020108**  
**Status:** **Active**  
**Overview:** [cgrid\\_sl\\_products](#)  
**Description:** SL™ Crimp Terminal, Series 70021, Male, with Tin (Sn) Plated Contact, 24-30 AWG, Bag

**Documents:**

[Drawing \(PDF\)](#) [RoHS Certificate of Compliance \(PDF\)](#)  
[Product Specification PS-70021 \(PDF\)](#)



**General**

Product Family	Crimp Terminals
Series	<a href="#">70021</a>
Crimp Quality Equipment	Yes
Overview	<a href="#">cgrid_sl_products</a>
Product Name	SL™

**Physical**

Gender	Male
Material - Metal	Phosphor Bronze
Material - Plating Mating	Tin
Material - Plating Termination	Tin
Packaging Type	Bag
Plating min: Mating (µin)	150
Plating min: Mating (µm)	3.75
Plating min: Termination (µin)	75
Plating min: Termination (µm)	1.875
Termination Interface: Style	Crimp or Compression
Wire Insulation Diameter	1.52mm (.060") max.
Wire Size AWG	24, 26, 28, 30
Wire Size mm²	N/A

**Material Info**

Old Part Number 70021-0204

**Reference - Drawing Numbers**

Packaging Specification	PK-70873-0822
Product Specification	PS-70021
Sales Drawing	SD-70021-0*04_0*21, SD-70021-0204

<b>EU RoHS</b> <b>ELV and RoHS</b> <b>Compliant</b> <b>REACH SVHC</b> <b>Contains SVHC: No</b> <b>Halogen-Free</b> <b>Status</b> <b>Halogen-Free</b>	<b>China RoHS</b> 
---	--

**Need more information on product environmental compliance?**

Email [productcompliance@molex.com](mailto:productcompliance@molex.com)  
 For a multiple part number RoHS Certificate of Compliance, [click here](#)

Please visit the [Contact Us](#) section for any non-product compliance questions.

**Search Parts in this Series**  
[70021Series](#)

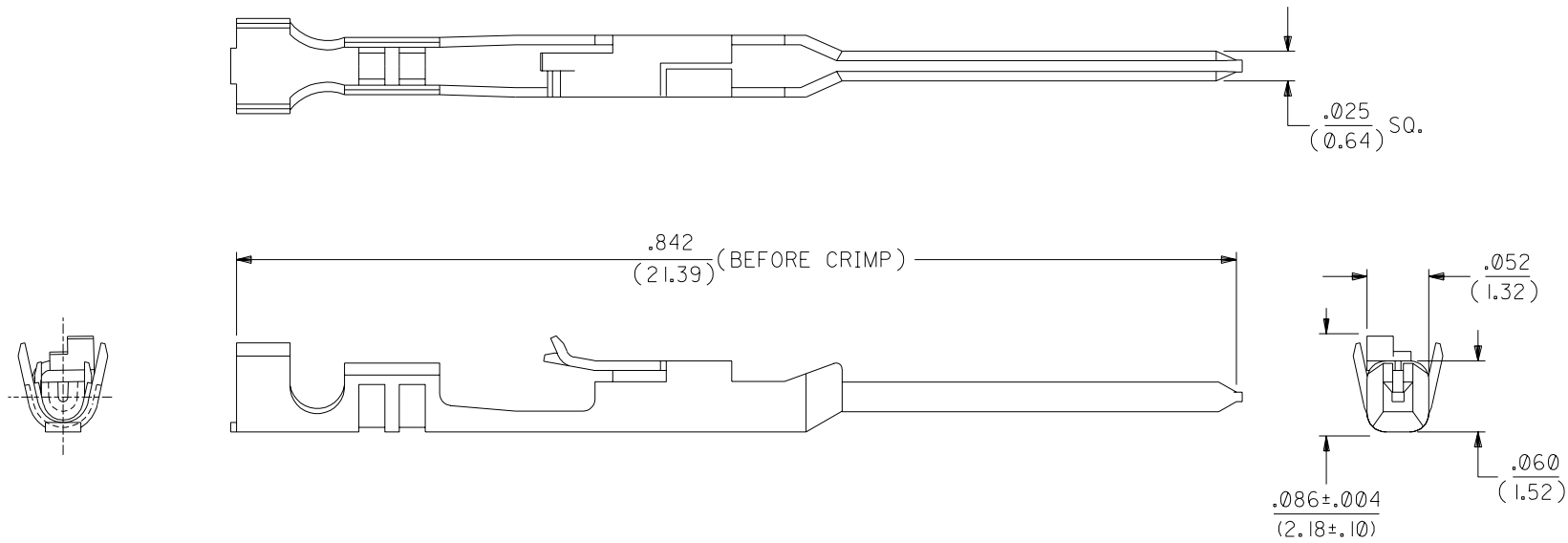
**Use With**  
[70066 Housing](#), [70107 Housing](#)

**Application Tooling | FAQ**  
*Tooling specifications and manuals are found by selecting the products below. Crimp Height Specifications are then contained in the Application Tooling Specification document.*

<b>Global</b>	
Description	Product #
Hand Crimp Tool, UL0638118800 Approved	
Insertion Tool	<a href="#">0011020022</a>
Extraction Tool	<a href="#">0011030036</a>
<b>Japan</b>	
Description	Product #
Hand Crimp Tool	<a href="#">0570365000</a>
Hand Crimp Tool	<a href="#">0570375000</a>

**PLEASE CHECK [WWW.MOLEX.COM](http://WWW.MOLEX.COM) FOR LATEST PART INFORMATION**





**NOTES:**

1. TERMINAL FOR USE WITH HOUSING PART NO. 70066-\*\*\*\* & 70107-\*\*\*\*.
2. MATERIAL: .008/(0.20) THK. PHOSPHOR BRONZE.
3. TERMINAL TO BE USED WITH 24-30 AWG STRANDED WIRE WITH .060 DIA. MAX. INSULATION.
4. REFER TO MOLEX OPERATIONAL AND SERVICE MANUAL FOR DETAILS.
5. REFER TO PRODUCT SPECIFICATION NO. PS-70021.
6. PARTS SUPPLIED LOOSE PER DRAWING PK-70873-0822.

**PLATING:**

.000150 MIN. TIN PLATE  
OVER NICKEL PLATE.

\*THE PRIMARY SHIPPING CARTON WILL BE LABELED "COMPLIANT TO RoHS DIRECTIVE 2002/95/EC AND ELV ANNEX II OF DIRECTIVE 2000/53/EC". CARTONS WITHOUT THIS LABEL MAY CONTAIN PRODUCT WITH LEAD.

D	LEAD FREE UCP2004-1769 RWHITE 04/03/15
C2	REVISED PER ECR #U80270 MCGRATH 97/07/31
C1	REVISED PER ECR #U70928 MCGRATH 97/06/26
C	164 PLTG. WAS 102 PER ECR # U31149 08/19/93 REED
B	REDRAWN ON CAD PER ECR # 9509 11/10/86 WJF/MJM

MFG.	SH.	REV.	LTR.	REVISIONS
------	-----	------	------	-----------

DIMENSIONS SHOWN (METRIC) INCH		▽ = 0 ▼ = 0		REVISE ONLY ON CAD SYSTEM	
UNLESS OTHERWISE SPECIFIED TOLERANCES: ANGULAR ± 1/2°					
		INCH		METRIC	
3 PLACE	± .010	---			
2 PLACE	± .015	± 0.25			
1 PLACE	---	± 0.35			
DRAFT WHERE APPLICABLE MUST REMAIN WITHIN DIMENSIONS					
TITLE		TERMINAL, MALE CRIMP			
MOLEX INCORPORATED		SHEET NO. 1		DATE 10/30/86	
LISLE, ILL. 60532 U.S.A.					
PART NO. 16-02-0108		DRWG. NO. SD-70021-0204			
FILE NAME S70021X4 DGN		THIS DRAWING CONTAINS INFORMATION THAT IS PROPRIETARY TO MOLEX INC. AND SHOULD NOT BE USED WITHOUT WRITTEN PERMISSION.		DIV. DA SIZE B	