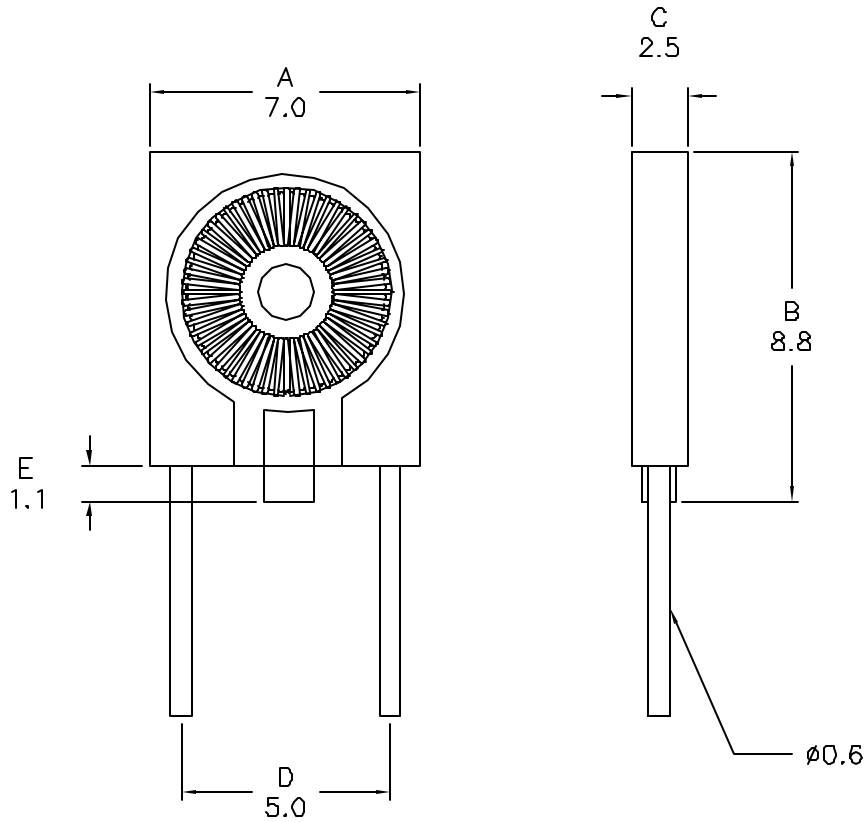


1. Mechanical Dimensions:

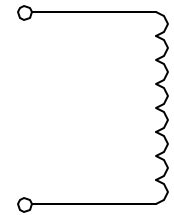


Notes:

1. Solderability: Leads shall meet MIL-STD-202, Method 208D for solderability.
2. Flammability: UL94V-0
3. ASTM oxygen Index: > 28%
4. Insulation System: Class F 155°C. UL file E151556
5. Operating Temperature Range: All listed parameters are to be within tolerance from -40°C to +85°C
6. Storage Temperature Range: -55°C to +125°C
7. Aqueous wash compatible
8. SMD Lead Coplanarity: ±0.004"(0.102mm)
9. Moisture Sensitivity: Level 2

DOC. REV. A/1

2. Schematic:



3. Electrical Specifications:

- OCL: 20uH Min @1KHz, 0.1V
- Rated Current: 1.5A Max
- DCR: 0.08 Ohms Max
- Impedance: 2000 Ohms Typ @100MHz
- Q: tbd Min @10KHz, 0.1V

XFMRS Inc.	Title: Toroid Inductor		
	UNLESS OTHERWISE SPECIFIED TOLERANCES: .xx ±0.25 Dimensions in MM	P/N: XFQ206-VM230	REV. A
SHEET 1 OF 1	DWN.	Kang Chen	Aug-25-04
	CHK.	YK Liao	Aug-25-04
	APP.	J Ng	Aug-25-04