

**PLEASE CHECK WWW.MOLEX.COM FOR LATEST PART INFORMATION**

**Part Number:** [0503948054](#)  
**Status:** **Active**  
**Overview:** [milligrd](#)  
**Description:** Milli-Grid™ Crimp Terminal, Reel, Gold (Au) Flash, Lead free

**Documents:**

[Drawing \(PDF\)](#) [RoHS Certificate of Compliance \(PDF\)](#)  
[Product Specification PS-51110-001 \(PDF\)](#)

**General**

Product Family	Crimp Terminals
Series	<a href="#">50394</a>
Crimp Quality Equipment	Yes
Overview	<a href="#">milligrd</a>
Product Literature Order No	987650-1991
Product Name	Milli-Grid™

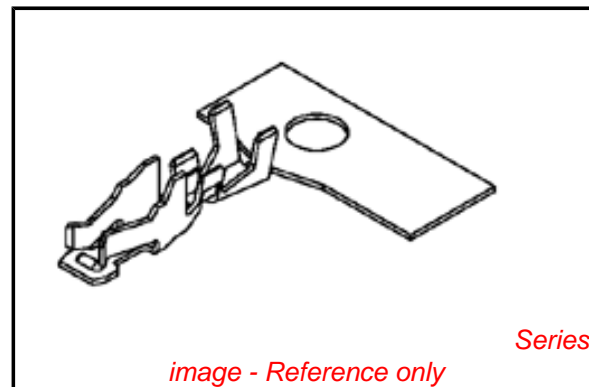
**Physical**

Gender	Female
Material - Metal	Phosphor Bronze
Material - Plating Mating	Gold
Material - Plating Termination	Nickel
Packaging Type	Reel
Plating min: Mating (µin)	2
Plating min: Mating (µm)	0.05
Plating min: Termination (µin)	80
Plating min: Termination (µm)	2
Termination Interface: Style	Crimp or Compression
Wire Insulation Diameter	1.40mm (.055") max.
Wire Size AWG	24, 26, 28, 30
Wire Size mm²	N/A

**Material Info**

**Reference - Drawing Numbers**

Product Specification	PS-51110-001
Sales Drawing	SD-50394-8***



**EU RoHS**

**ELV and RoHS  
Compliant**  
**REACH SVHC  
Contains SVHC: No**  
**Halogen-Free  
Status**

**China RoHS**



**Need more information on product  
environmental compliance?**

Email [productcompliance@molex.com](mailto:productcompliance@molex.com)  
For a multiple part number RoHS Certificate of Compliance, [click here](#)

Please visit the [Contact Us](#) section for any non-product compliance questions.

**Search Parts in this Series**

[50394Series](#)

**Use With**

[51110 Crimp Housing](#)

**Application Tooling | FAQ**

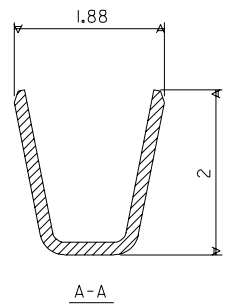
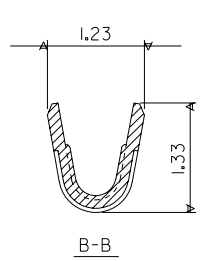
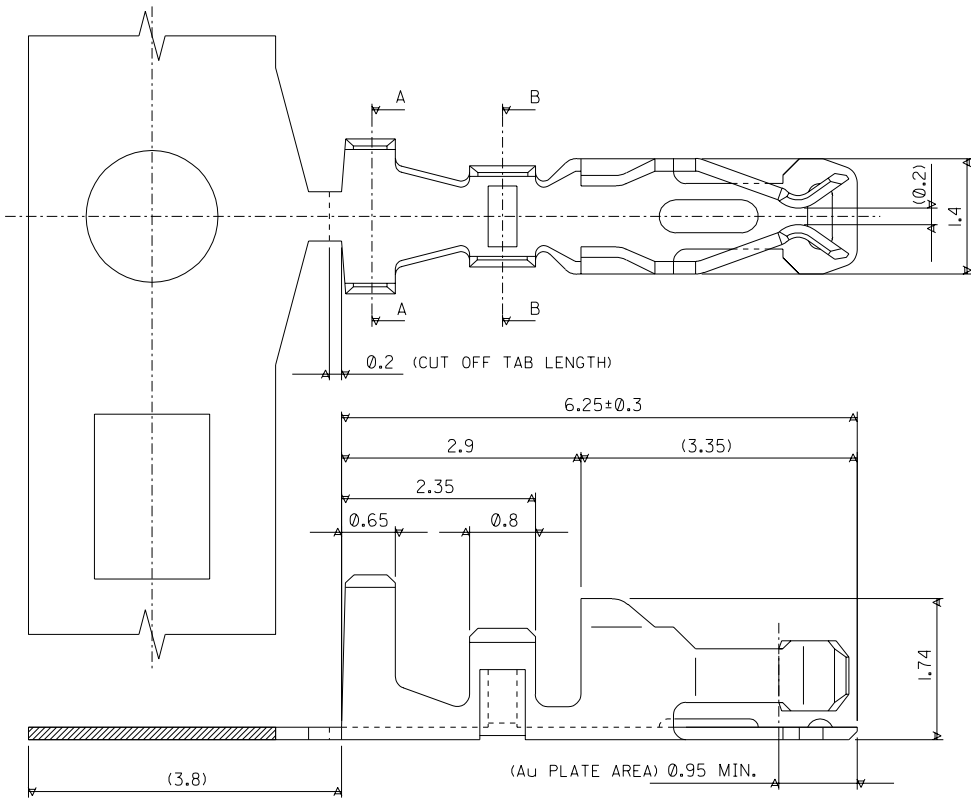
*Tooling specifications and manuals are found by selecting the products below. Crimp Height Specifications are then contained in the Application Tooling Specification document.*

**Global**

Description	Product #
Hand Crimp Tool for Milli-Grid™ and MicroBlade Crimp Terminals	<a href="#">0638190100</a>
FineAdjust™ Applicator for 2.00mm (.079") Pitch Wire-to-Board Crimp Terminals 24-30 AWG	<a href="#">0639005200</a>

This document was generated on 05/19/2010

**PLEASE CHECK [WWW.MOLEX.COM](http://WWW.MOLEX.COM) FOR LATEST PART INFORMATION**



NOTES.

- 1. APPLICABLE HOUSING : 51110-\*\*\*1  
 : 51110-\*\*\*5

GOLD FLASH 0.05-0.125 $\mu$ M	50394-8400	50394-8054
0.38 Pd/Ni w/ GOLD FLASH	<del>50394-8300</del>	<del>50394-8053</del>
0.76	50394-8200	50394-8052
0.38	50394-8100	50394-8051
Au. PLATE THICK. ( $\mu$ m MIN.)	FORM: LOOSE	FORM: CHAIN
ENG.No.		

B	VOID PART NO. PER ECN S2004-0719	---	ANG LING	040223	MATERIAL : PHOSPHOR BRONZE (THK=0.152)	MOLEX SINGAPORE PTE LTD SHEET 1 OF 1
A2	ADD GOLD FLASH AS PER ECN*S2003-0030	---	NASH LING	02/07/12		
A1	ADD 0.38 Pd/Ni WITH GOLD FLASH AS PER PDR*98-01- 0267 (ECN*S1998-0364)	---	SEE LING	980312	FINISH :  SEE NOTES	GENERAL TOLERANCES ± 0.20/.008
A	REL AS PER ECN*	S40519	SO EDP	940420		DRAWN BY S.O. 940420
LTR	REVISION RECORD	ECN	DR CHK	DATE	APPR'D BY ROY 940428	SCALE 15:1
REVISE ONLY ON CAD SYSTEM					TITLE : 2.0mm GRID W TO B CONN. CRIMP TERMINAL	