

# Customer Information Sheet

DRAWING No.: M80-510XXXX

SHEET 2 OF 2

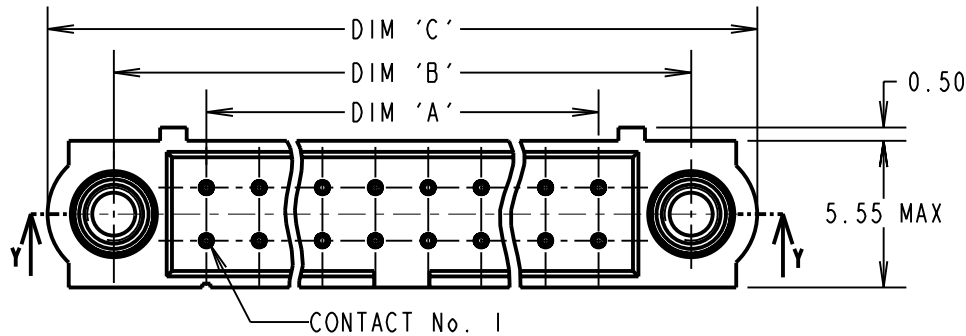
IF IN DOUBT - ASK

©

NOT TO SCALE

THIRD ANGLE PROJECTION

ALL DIMENSIONS IN mm



ORDER CODE:  
**M80-510XXXX**

No. OF CONTACTS  
04 TO 50  
(EVEN NUMBERS ONLY)

FINISH \_\_\_\_\_

05 - GOLD ALL OVER  
22 - SELECTIVE GOLD + TIN/LEAD  
42 - SELECTIVE GOLD + 100% TIN

SPECIFICATIONS:

MATERIAL:  
MOULDING = GLASS-FILLED PPS,  
UL94V-0, BLACK

CONTACT = PHOSPHOR BRONZE  
JACKSCREW = STAINLESS STEEL

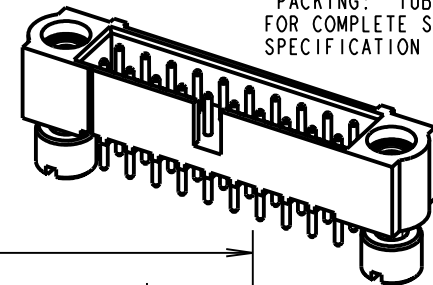
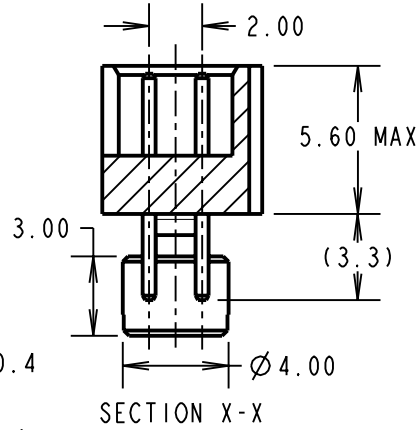
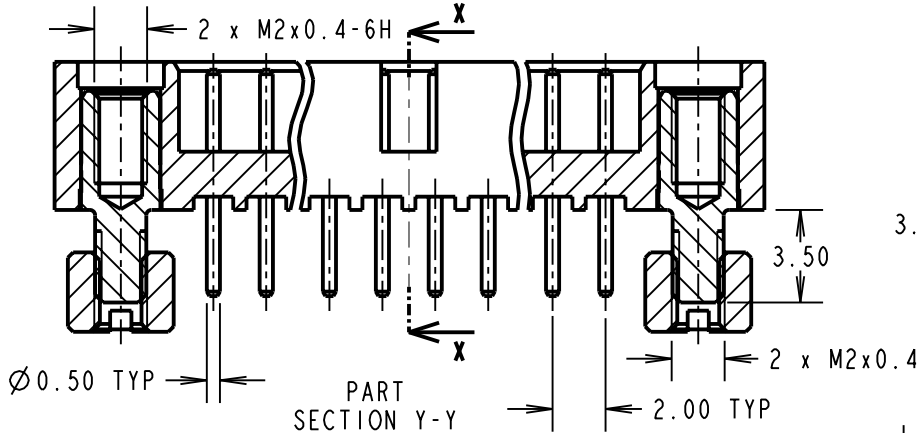
FINISH (CONTACTS):  
22 = 0.75µ GOLD ON CONTACT AREA,  
3µ 90/10 TIN/LEAD ON TAILS  
42 = 0.75µ GOLD ON CONTACT AREA,  
3µ 100% TIN ON TAILS  
05 = 0.75µ GOLD ALL OVER

ELECTRICAL:  
CURRENT RATING AT 25°C = 3.0A MAX  
CURRENT RATING AT 85°C = 2.2A MAX  
WORKING VOLTAGE = 120V AC/DC  
VOLTAGE PROOF = 360V AC/DC  
CONTACT RESISTANCE = 25 mΩ MAX  
INSULATION RESISTANCE = 100 MΩ MIN

MECHANICAL:  
DURABILITY = 500 OPERATIONS

ENVIRONMENTAL:  
TEMPERATURE RANGE = -55°C TO +125°C

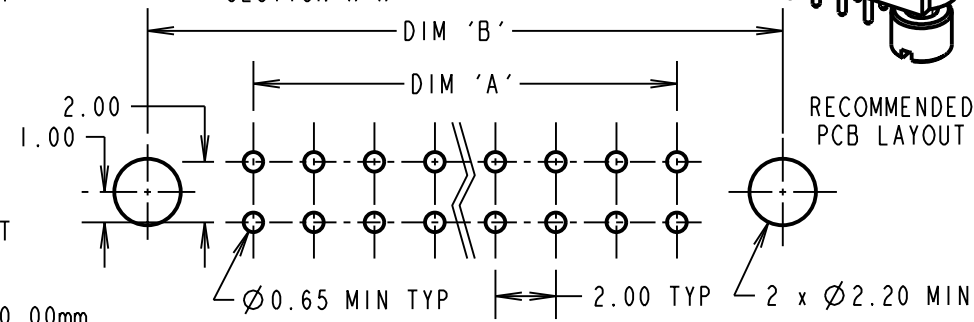
PACKING: TUBE  
FOR COMPLETE SPECIFICATION, SEE COMPONENT SPECIFICATION C005XX (LATEST ISSUE)



| DIMENSION | CALCULATION                |
|-----------|----------------------------|
| DIM 'A'   | TOTAL No. OF CONTACTS - 2  |
| DIM 'B'   | TOTAL No. OF CONTACTS + 5  |
| DIM 'C'   | TOTAL No. OF CONTACTS + 10 |

EXAMPLE: CONNECTOR WITH 20 CONTACTS, GOLD ON CONTACT AREA AND 100% TIN ON TAIL, M80-5102042

DIM 'A' = 18.00mm DIM 'B' = 25.00mm DIM 'C' = 30.00mm



|                     |      |          |        |
|---------------------|------|----------|--------|
| CP                  | H    | 04.12.09 | 10588  |
| NAME                | ISS. | DATE     | C/NOTE |
| APPROVED: C.PENROSE |      |          |        |
| CHECKED: R.ADDE     |      |          |        |
| DRAWN: W. J. BOURNE |      |          |        |
| CUSTOMER REF.:      |      |          |        |
| ASSEMBLY DRG:       |      |          |        |

**HARWIN**

HARWIN USA  
TEL: 603 893 5376  
FAX: 603 893 5396  
mis@harwin.com

HARWIN Europe (UK)  
TEL: 023 9231 4545  
FAX: 023 9231 4590  
mis@harwin.co.uk

HARWIN Asia  
TEL: +65 6 779 4909  
FAX: +65 6 779 3868  
mis@harwin.com.sg

THIS DRAWING AND ANY INFORMATION OR DESCRIPTIVE MATTER SET OUT HEREON ARE CONFIDENTIAL AND COPYRIGHT PROPERTY OF THE HARWIN GROUP AND MUST NOT BE DISCLOSED, LOANED, COPIED OR USED FOR MANUFACTURING, TENDERING OR FOR ANY OTHER PURPOSE WITHOUT THEIR WRITTEN PERMISSION.

TOLERANCES  
X. = ±1mm  
X.X = ±0.25mm  
X.XX = ±0.10mm  
X.XXX = ±0.01mm  
ANGLES = ±5°  
UNLESS STATED

MATERIAL:  
SEE ABOVE

FINISH: SEE ABOVE

S/AREA: mm<sup>2</sup>

TITLE: JACKSCREW DATAMATE  
DIL VERTICAL PC TAIL  
MALE ASSEMBLY (BOARD MOUNT)

DRAWING NUMBER:  
**M80-510XXXX**

SHT  
2 OF 2