

PLEASE CHECK WWW.MOLEX.COM FOR LATEST PART INFORMATION

Part Number: [0528850974](#)
Status: **Active**
Description: 0.635mm (.025") Pitch SlimStack™ Receptacle, Surface Mount, Dual Row, Vertical Stacking, 5.00 to 10.00mm (.197 to .394") Stacking Heights, Embossed Tape with Cover Packaging, 90 Circuits, Lead-free

Documents:

[3D Model](#) [Product Specification PS-52760-015 \(PDF\)](#)
[Drawing \(PDF\)](#) [RoHS Certificate of Compliance \(PDF\)](#)

Agency Certification

UL E29179

General

Product Family PCB Receptacles
 Series [52885](#)
 Application Board-to-Board
 Comments Stacking-Type
 Product Name SlimStack™

Physical

Circuits (Loaded) 90
 Color - Resin Natural
 Durability (mating cycles max) 50
 Flammability 94V-0
 Glow-Wire Compliant No
 Mated Height (mm) 10.00 mm, 5.00 mm, 6.00 mm, 7.00 mm, 8.00 mm, 9.00 mm

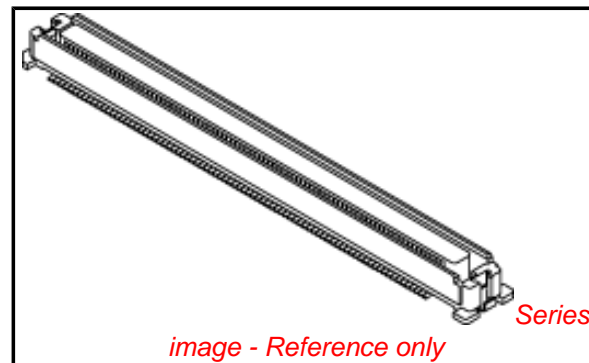
Material - Metal Phosphor Bronze
 Material - Plating Mating Gold
 Material - Plating Termination Tin
 Number of Rows 2
 Orientation Vertical
 PCB Locator Yes
 PCB Retention Yes
 Packaging Type Embossed Tape on Reel
 Pitch - Mating Interface (in) 0.025 In
 Pitch - Mating Interface (mm) 0.64 mm
 Plating min: Mating (µin) 10
 Plating min: Mating (µm) 0.25
 Plating min: Termination (µin) 80
 Plating min: Termination (µm) 2
 Polarized to PCB Yes
 Robotic Placement Pick and Place Cap
 Surface Mount Compatible (SMC) N/A
 Temperature Range - Operating -55°C to +85°C
 Termination Interface: Style Surface Mount

Electrical

Current - Maximum per Contact 0.5A
 Voltage - Maximum 100V

Material Info

Reference - Drawing Numbers



EU RoHS

ELV and RoHS Compliant
REACH SVHC
 Not Reviewed
Halogen-Free Status
 Not Reviewed

China RoHS



Need more information on product environmental compliance?

Email productcompliance@molex.com
 For a multiple part number RoHS Certificate of Compliance, [click here](#)

Please visit the [Contact Us](#) section for any non-product compliance questions.

Search Parts in this Series

[52885Series](#)

Mates With

[55091](#) , [53649](#) , [53643](#) , [53475](#) , [53627](#) , [53553](#) , [53552](#) , [53647](#) , [53551](#) , [53481](#) , [53625](#)

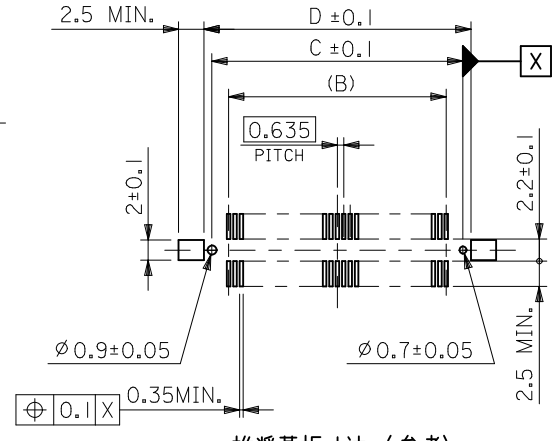
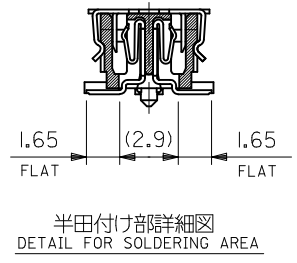
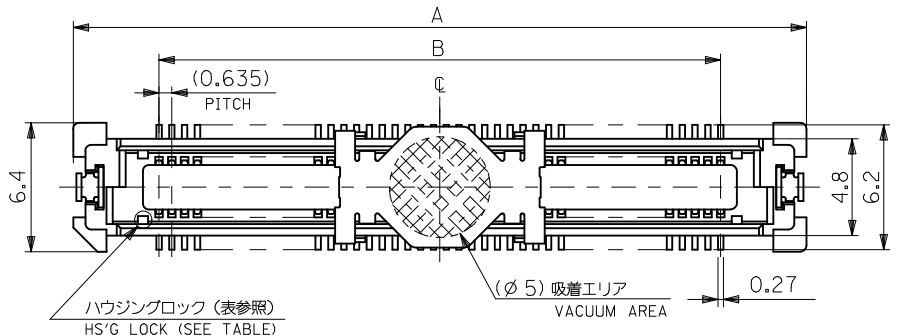
Product Specification

Sales Drawing

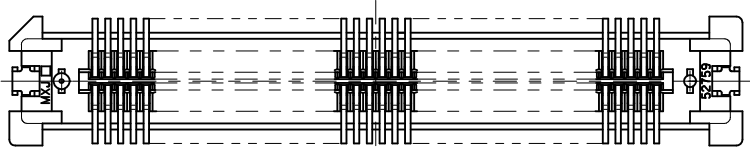
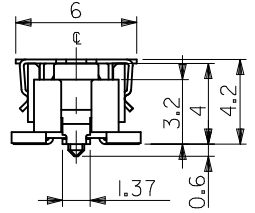
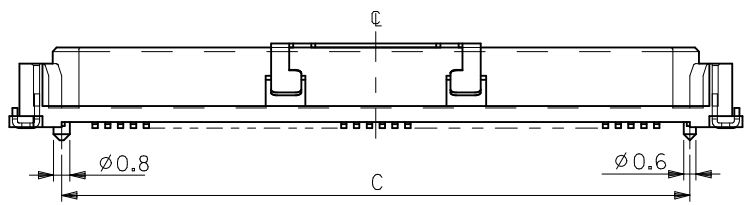
PS-52760-015, RPS-52760-017, RPS-52760-018,
RPS-52760-020, RPS-52760-021, RPS-52760-029,
RPS-52885-007, RPS-52885-008, RPS-52885-009
SD-52885-003, SD-52885-004

This document was generated on 04/15/2010

PLEASE CHECK WWW.MOLEX.COM FOR LATEST PART INFORMATION



推奨基板寸法 (参考)
RECOMMENDED PCB PATTERN LAYOUT (REF.)
(SCALE 2:1)



- 注) NOTES
- 材質 MATERIAL
ハウジング: ガラス入りLCP, 白色, UL94V-0
HOUSING: G.F.LCP, WHITE, UL94V-0
ターミナル: 銅合金 (t = 0.2)
TERMINAL: COPPER ALLOY
吸着カバー: ステンレス (t = 0.2)
VACUUM COVER: STAINLESS STEEL
補強金具: 銅合金 (t = 0.25)
FITTING NAIL: COPPER ALLOY
 - メッキ仕様 PLATING
ターミナル: 接点部: 金メッキ 0.25 マイクロメートル以上
CONTACT AREA: GOLD 0.25 MICROMETER MINIMUM
半田付け部: 錫メッキ 1.0 マイクロメートル以上
SOLDER TAIL AREA: TIN 1.0 MICROMETER MINIMUM
下地メッキ: ニッケルメッキ 1.5 マイクロメートル以上
UNDER-PLATING: NICKEL 1.5 MICROMETER MINIMUM
補強金具: 錫メッキ 1.0 マイクロメートル以上
FITTING NAIL: TIN 1.0 MICROMETER MINIMUM
下地メッキ: ニッケルメッキ 1.0 マイクロメートル以上
UNDER-PLATING: NICKEL 1.0 MICROMETER MINIMUM

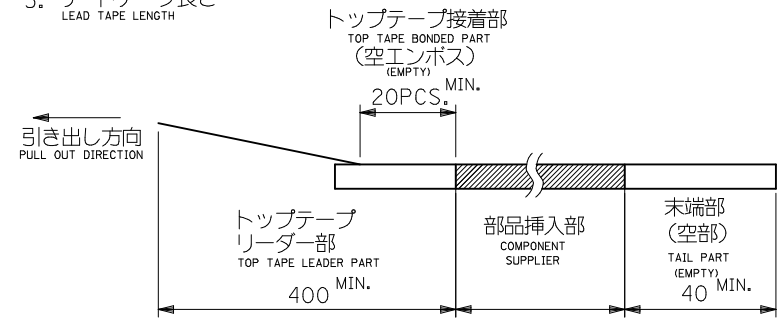
- テールのバラツキ寸法 TAIL COPLANARITY
240極以下品のテール平坦度は0.1MAX.、
240極品のテール平坦度は0.12MAX.とする。
TAILS COPLANARITY TO BE 0.1MAX.
IN 240 CIRCUITS, TAILS COPLANARITY TO BE 0.12MAX.
- エンボス対応済みの極数については、SD-52885-004を参照下さい。
FOR THE EMBOSSED PACKAGE PRODUCTS, SEE SD-52885-004.

| | | | | | | |
|------------------------|-------|--------|--------|---------|-------------|----------------|
| 無し NO | 80.47 | 78.87 | 75.565 | 84.07 | 52885-2474 | 240 |
| | 67.77 | 66.17 | 62.865 | 71.37 | 52885-2074 | 200 |
| | 55.07 | 53.47 | 50.165 | 58.67 | 52885-1674 | 160 |
| | 48.72 | 47.12 | 43.815 | 52.32 | 52885-1474 | 140 |
| | 42.37 | 40.77 | 37.465 | 45.97 | 52885-1274 | 120 |
| | 36.02 | 34.42 | 31.115 | 39.62 | 52885-1074 | 100 |
| | 32.85 | 31.25 | 27.94 | 36.45 | ↑ -0974 | 90 |
| 29.67 | 28.07 | 24.765 | 33.27 | ↑ -0874 | 80 | |
| 有り YES | 26.5 | 24.9 | 21.59 | 30.1 | ↑ -0774 | 70 |
| | 23.32 | 21.72 | 18.415 | 26.92 | ↑ -0674 | 60 |
| | 20.15 | 18.55 | 15.24 | 23.75 | ↑ -0574 | 50 |
| | 16.97 | 15.37 | 12.065 | 20.57 | ↑ -0474 | 40 |
| ハウジングブロック HS'G LOCK | 13.8 | 12.2 | 8.89 | 17.4 | ↓ -0374 | 30 |
| | 10.62 | 9.02 | 5.715 | 14.22 | ↓ -0274 | 20 |
| CONNECTORS SERIES No. | | | | | 52885-***72 | 極数 CKT. NO. |

| | | | | | | | |
|---|--|--------|----------------------------|--------------------|---|------------------------|---|
| REVISED EC NO: J2010-2458 DRWN: KAIHO 2010/06/04 CHKD: T. JO 2010/06/10 APPR: MSASAO 2010/06/11 | GENERAL TOLERANCES (UNLESS SPECIFIED) | | DIMENSION STYLE MM ONLY | | SCALE --- | DESIGN UNITS METRIC | THIRD ANGLE PROJECTION |
| | 10 UNDER | ± 0.2 | DRAWN BY M. NAGATA | DATE 2004/02/25 | TITLE 0.635 PITCH B TO B S/T REC. HSG ASSY -LEAD FREE- | | |
| | 10 OVER 30 UNDER | ± 0.25 | CHECKED BY K. TOJO | DATE 2004/02/25 | MOLEX INCORPORATED | | |
| | 30 OVER | ± 0.3 | APPROVED BY M. SASAO | DATE 2004/02/25 | DOCUMENT NO. SD-52885-003 | | |
| | ANGULAR ± 3 ° DRAFT WHERE APPLICABLE MUST REMAIN WITHIN DIMENSIONS | | MATERIAL NO. SEE CHART | | SHEET NO. 1 OF 1 | | THIS DRAWING CONTAINS INFORMATION THAT IS PROPRIETARY TO MOLEX INCORPORATED AND SHOULD NOT BE USED WITHOUT WRITTEN PERMISSION |

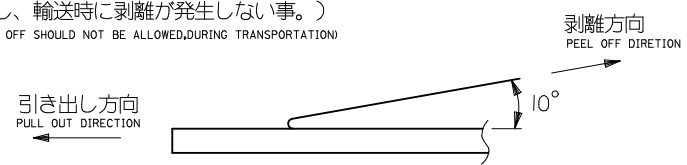
注)
NOTES

- 製品番号 52885-**72 の詳細寸法については SD-52885-003 を参照下さい。
IN THE PACKAGE , PART NO. 52885-**72 DETAILED DIMENSIONS , SEE SD-52885-003
- 梱包数量 : 1000個/リール
NUMBER OF CONNECTORS : 1000 PCS/REEL
- リードテープ長さ
LEAD TAPE LENGTH

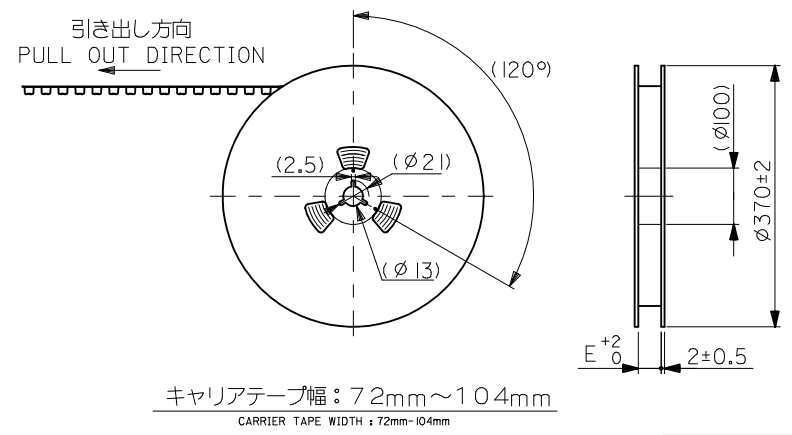
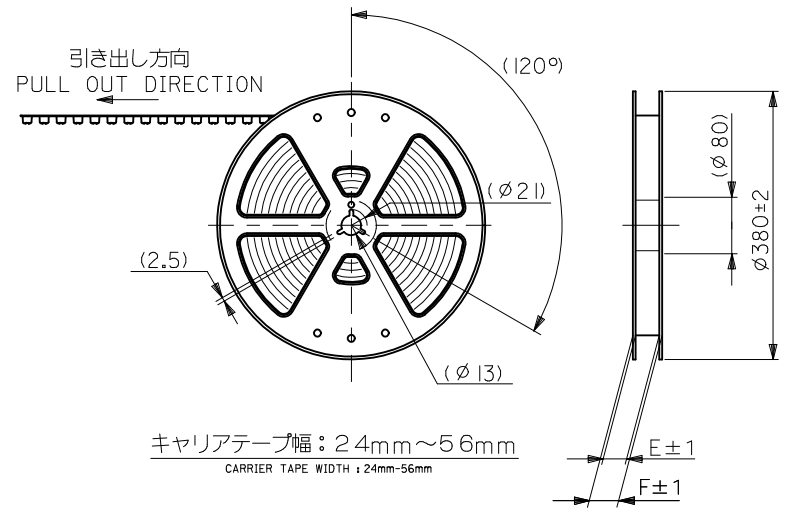


- トップテープの剥離強度 (剥離方向は下図参照)
PEELING OFF FORCE OF TOP TAPE (PEELING DIRECTION AS SHOWN IN FOLLOWING FIG.)
0.1~0.3N {10~130gf}

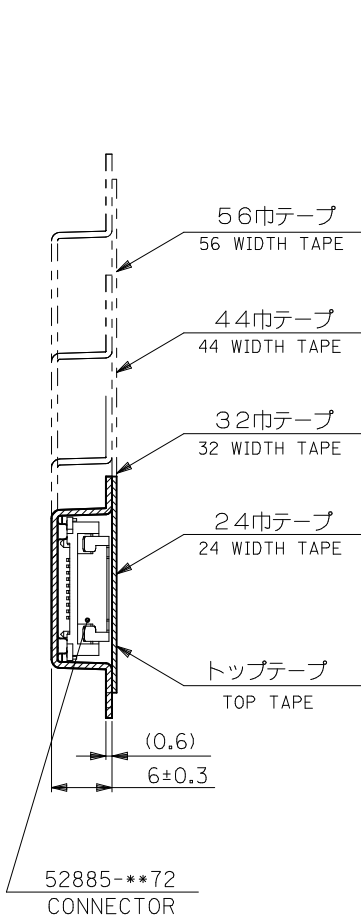
尚、本規格値は、出荷時に適用。
THIS REQUIREMENT SHOULD BE APPLIED AT SHIPMENT
(但し、輸送時に剥離が発生しない事。)
(PEEL OFF SHOULD NOT BE ALLOWED, DURING TRANSPORTATION)



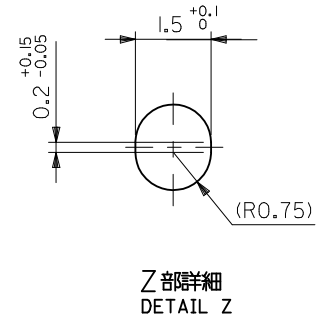
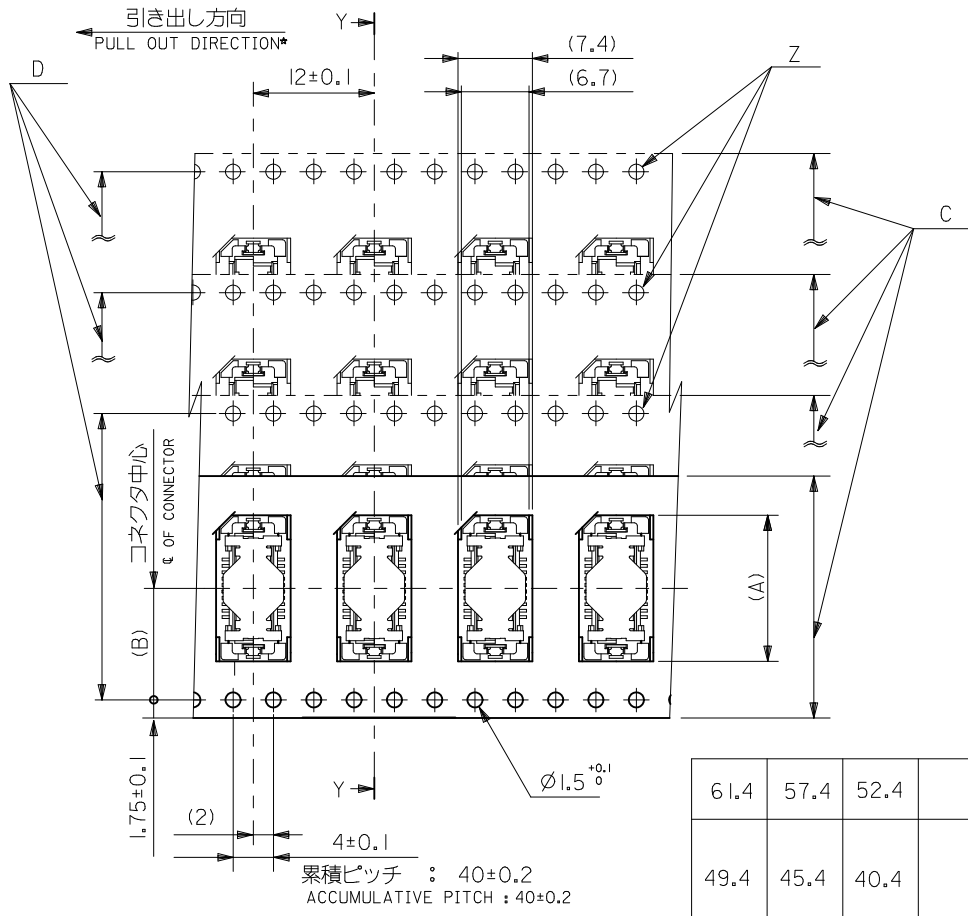
- 材料
MATERIAL
キャリアテープ : ポリプロピレン (PP)
CARRIER TAPE : POLYPROPYLENE (PP)
トップテープ : PET, PE, PEF
TOP TAPE : PET, PE, PEF
リール : キャリアテープ幅 24mm~56mm : ポリスチレン
REEL : CARRIER TAPE WIDTH 24mm-56mm : POLYSTYRENE
キャリアテープ幅 72mm~104mm : 紙
CARRIER TAPE WIDTH 72mm-104mm : CARD BOARD



| | | | | | | | | |
|--|---|--|-------|----------------------------|------------|---|--------------|------------------------|
| REVISED EC NO: J2010-2458 DRWN: KAIHO CHKD: K. TOJO APPR: MSASAO | DESCRIPTION 2010/06/04 2010/06/10 2010/06/11 | GENERAL TOLERANCES (UNLESS SPECIFIED) | | DIMENSION STYLE MM ONLY | | CONNECTOR SERIES No. | 52885-**72 | |
| | | 10 UNDER | ± --- | DRAWN BY | DATE | SCALE | DESIGN UNITS | THIRD ANGLE PROJECTION |
| | | 10 OVER 30 UNDER | ± --- | M. NAGATA | 2004/02/25 | --- | METRIC | |
| | | 30 OVER | ± --- | CHECKED BY | DATE | TITLE | | |
| REV C | REV | ANGULAR ± --- ° | | APPROVED BY | DATE | 52885-**72 TAPING PACKAGE -LEAD FREE- | | |
| | | DRAFT WHERE APPLICABLE MUST REMAIN WITHIN DIMENSIONS | | M. SASAO | 2004/02/25 | MOLEX INCORPORATED | | |
| | | SIZE A3 | | MATERIAL NO. SEE TABLE | | DOCUMENT NO. SD-52885-004 | | SHEET NO. 1 OF 3 |

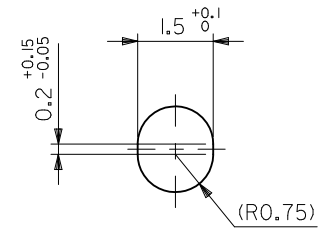
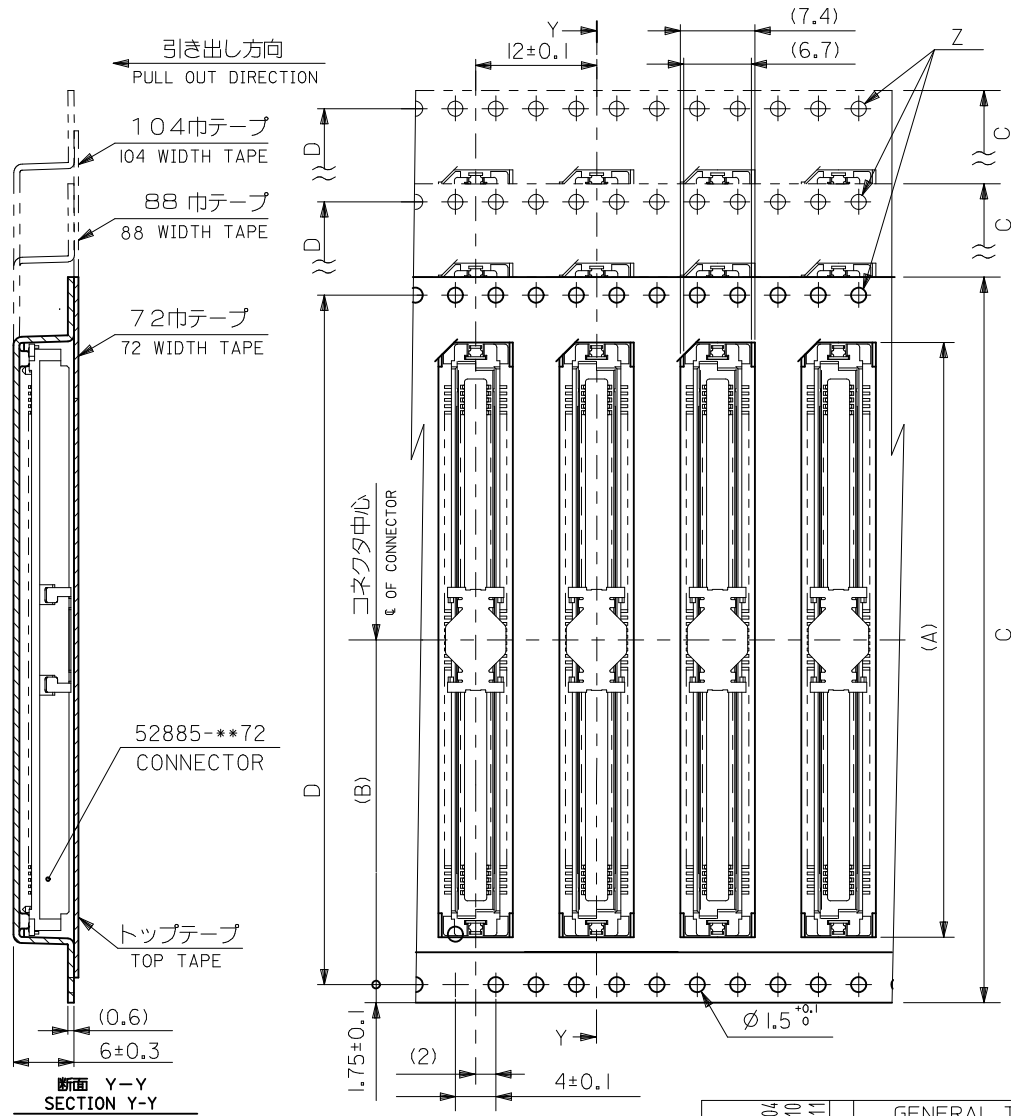


断面 Y-Y
SECTION Y-Y



| | | | | | | | |
|------|------|------|--------------------|--------------------------------|------|------------|-------------------------------|
| 61.4 | 57.4 | 52.4 | 56 ^{+0.3} | 26.2 | 39.9 | 52885-1074 | 100 |
| | | | | | 36.8 | -0974 | 90 |
| 49.4 | 45.4 | 40.4 | 44 ^{+0.3} | 20.2 | 33.6 | -0874 | 80 |
| | | | | | 30.4 | -0774 | 70 |
| | | | | | 27.2 | -0674 | 60 |
| | | | | | 24.1 | -0574 | 50 |
| 37.4 | 33.4 | 28.4 | 32 ^{+0.3} | 14.2 | 20.9 | -0474 | 40 |
| | | | | | 17.7 | -0374 | 30 |
| 29.4 | 25.4 | — | 24 ^{+0.3} | 11.5 | 14.5 | 52885-0274 | 20 |
| F | E | D | C | キャリアテープ幅 CARRIER TAPE WIDTH | (B) | (A) | MATERIAL NO. 極致 CKT.NO. |

| | | | | | |
|---|---------------------------------------|--|----------------------------|---|-------------------------------------|
| REVISED EC NO: J2010-2458 DRWN:TKAIHO CHKD:K.TOJO APPR:MSASAO 2010/06/04 2010/06/10 2010/06/11 | GENERAL TOLERANCES (UNLESS SPECIFIED) | | DIMENSION STYLE MM ONLY | | CONNECTOR SERIES No. 52885-***72 |
| | 10 UNDER | ± --- | DRAWN BY M. NAGATA | DATE 2004/02/25 | SCALE --- |
| | 10 OVER 30 UNDER | ± --- | CHECKED BY K. TOJO | DATE 2004/02/25 | DESIGN UNITS METRIC |
| | 30 OVER | ± --- | APPROVED BY M. SASAO | DATE 2004/02/25 | THIRD ANGLE PROJECTION |
| | ANGULAR ± --- ° | DRAFT WHERE APPLICABLE MUST REMAIN WITHIN DIMENSIONS | | MOLEX INCORPORATED SD-52885-004 SHEET NO. 2 OF 3 | |
| | | SEE TABLE | | THIS DRAWING CONTAINS INFORMATION THAT IS PROPRIETARY TO MOLEX INCORPORATED AND SHOULD NOT BE USED WITHOUT WRITTEN PERMISSION | |



Z部詳細
DETAIL Z

累積ピッチ : 40 ± 0.2
ACCUMULATIVE PITCH : 40 ± 0.2

| | | | | | | |
|-------|-------|---------------|--------------------------------|------|------------|--------------------------------|
| 104.4 | 100.4 | 104 ± 0.3 | 50.2 | 84.4 | 52885-2474 | 240 |
| 88.4 | 84.4 | 88 ± 0.3 | 42.2 | 71.7 | 52885-2074 | 200 |
| 72.4 | 68.4 | $72^{+0.3}$ | 34.2 | 59.0 | 52885-1674 | 160 |
| | | | | 52.6 | 52885-1474 | 140 |
| | | | | 46.3 | 52885-1274 | 120 |
| E | D | C | キャリアテープ幅 CARRIER TAPE WIDTH | (B) | (A) | MATERIAL NO. 種数 CKT. NO. |

| | | | | | | |
|--|---------------------------------------|------------|----------------------------|--|--|------------------------|
| REVISED EC NO: J2010-2458 DRWN:TKAIHO 2010/06/04 CH'KD:K.TOJO 2010/06/10 APPR:MSASAO 2010/06/11 REV C | GENERAL TOLERANCES (UNLESS SPECIFIED) | | DIMENSION STYLE MM ONLY | | CONNECTOR SERIES No. 52885-**72 | |
| | 10 UNDER | ± --- | DRAWN BY M. NAGATA | DATE 2004/02/25 | SCALE --- | DESIGN UNITS METRIC |
| | 10 OVER 30 UNDER | ± --- | CHECKED BY K. TOJO | DATE 2004/02/25 | TITLE 52885-**72 TAPING PACKAGE -LEAD FREE- | |
| | 30 OVER | ± --- | APPROVED BY M. SASAO | DATE 2004/02/25 | MOLEX INCORPORATED | |
| | ANGULAR ± --- ° | | MATERIAL NO. | | DOCUMENT NO. | |
| DRAFT WHERE APPLICABLE MUST REMAIN WITHIN DIMENSIONS | | SEE TABLE | | SD-52885-004 | | |
| | | SIZE A3 | | THIS DRAWING CONTAINS INFORMATION THAT IS PROPRIETARY TO MOLEX INCORPORATED AND SHOULD NOT BE USED WITHOUT WRITTEN PERMISSION | | |
| | | | | SHEET NO. 3 OF 3 | | |