

PLEASE CHECK WWW.MOLEX.COM FOR LATEST PART INFORMATION

Part Number: [0675031020](#)
Status: **Active**
Overview: [usb_otg_onthego](#)
Description: 0.80mm (.031") Pitch, USB On-The-Go (OTG) Mini-B Receptacle, Surface Mount, Right Angle, Solder Tabs with Back Cover and PCB Locator Plastic Pegs, Lead Free

Documents:

[3D Model](#) [Product Specification PS-67803-001 \(PDF\)](#)
[Drawing \(PDF\)](#) [RoHS Certificate of Compliance \(PDF\)](#)

General

Product Family	I/O Connectors
Series	67503
Application	Wire-to-Board
Comments	With Back Cover
Component Type	Receptacle
MolexKits	Yes
Overview	usb_otg_onthego
Product Name	USB OTG (On-The-Go)
Type	Mini-B

Physical

Boot Color	N/A
Circuits (Loaded)	5
Circuits (maximum)	5
Color - Resin	Black
Gender	Receptacle
Lock to Mating Part	Yes
Material - Metal	Copper Alloy
Material - Plating Mating	Gold
Material - Plating Termination	Tin
Material - Resin	High Temperature Thermoplastic
Number of Rows	1
Orientation	Right Angle
PCB Locator	Yes
PCB Retention	Yes
Packaging Type	Embossed Tape on Reel
Panel Mount	No
Pitch - Mating Interface (in)	0.031 In
Pitch - Mating Interface (mm)	0.80 mm
Pitch - Term. Interface (in)	0.031 In
Pitch - Term. Interface (mm)	0.80 mm
Plating min: Mating (µin)	30
Plating min: Mating (µm)	0.75
Plating min: Termination (µin)	40
Plating min: Termination (µm)	1
Polarized to Mating Part	Yes
Polarized to PCB	Yes
Ports	1
Temperature Range - Operating	0°C to +50°C
Termination Interface: Style	Surface Mount
Waterproof / Dustproof	No
Wire Size AWG	N/A

Electrical

Current - Maximum per Contact	1A
-------------------------------	----

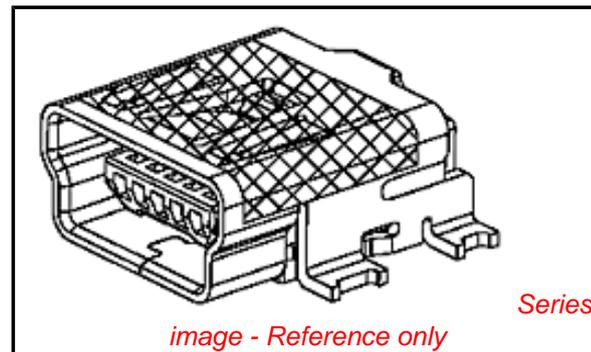


image - Reference only

EU RoHS

**ELV and RoHS
Compliant**
REACH SVHC
 Not Reviewed
**Halogen-Free
Status**

China RoHS



**Need more information on product
environmental compliance?**

Email productcompliance@molex.com
 For a multiple part number RoHS Certificate of Compliance, [click here](#)

Please visit the [Contact Us](#) section for any non-product compliance questions.

Search Parts in this Series

[67503Series](#)

Mates With

[47014 USB Mini-B Plug Kit](#)

Shield Type	Full Shield
Shielded	Yes
Voltage - Maximum	30V AC (RMS)/DC

Solder Process Data

Duration at Max. Process Temperature (seconds)	10
Lead-free Process Capability	Reflow Capable (SMT only)
Max. Cycles at Max. Process Temperature	1
Process Temperature max. C	250

Material Info

Reference - Drawing Numbers

Packaging Specification	PK-67503-001
Product Specification	PS-67803-001
Sales Drawing	SD-67503-010

This document was generated on 06/07/2010

PLEASE CHECK WWW.MOLEX.COM FOR LATEST PART INFORMATION

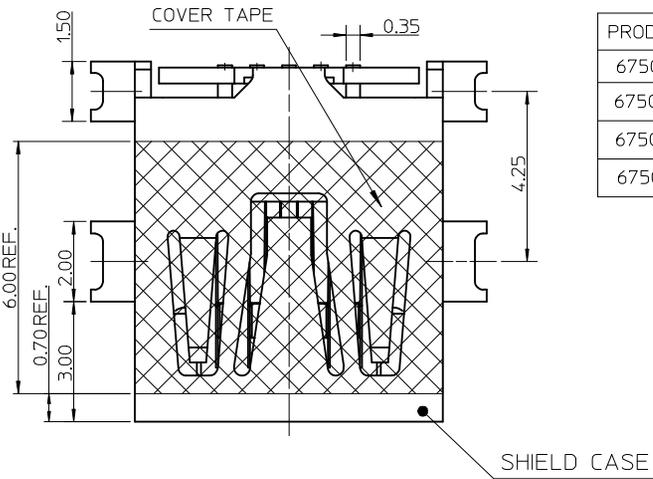
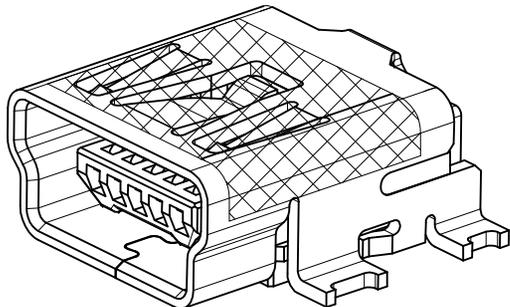


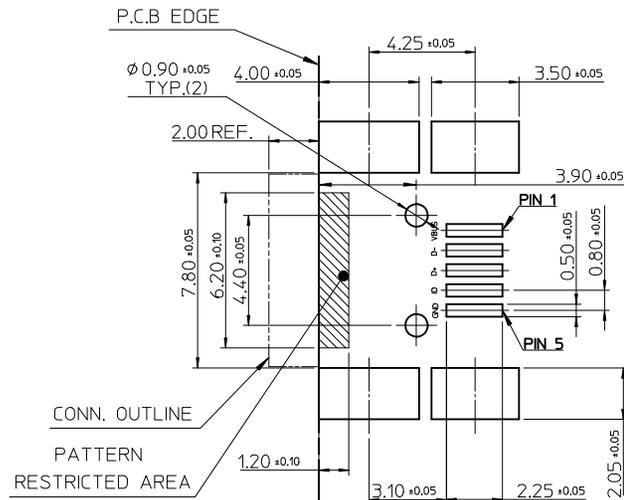
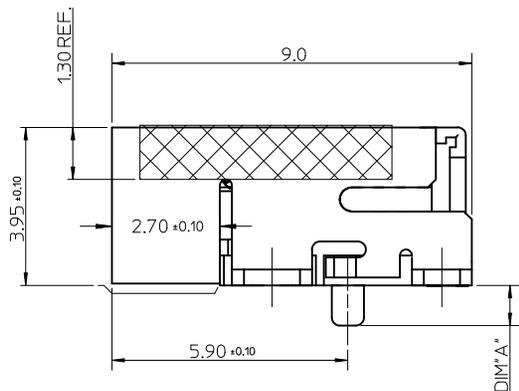
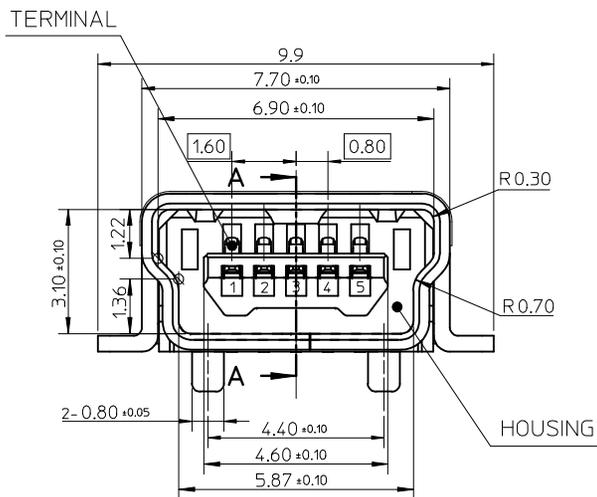
TABLE:

PRODUCT NO.	PACKAGE DOCUMENT	DIM*A"	REMARK
67503-1020	PK-67503-001	1.00	N/A
67503-2020	PK-67503-003	1.00	
67503-1030	PK-67503-001	0.80	HALOGEN FREE
67503-1120	PK-67503-001	1.00	

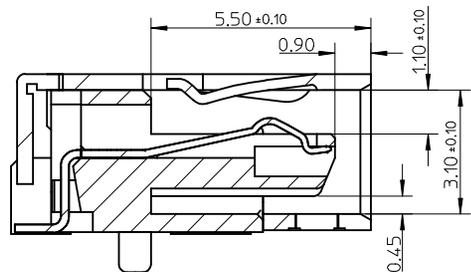


NOTE :

- MATERIAL :
HOUSING : HIGH TEMPERATURE THERMAL PLASTIC ,
BLACK,UL94V-0
TERMINAL : COPPER ALLOY THICKNESS = 0.2 MM
SHIELD CASE : COPPER ALLOY THICKNESS = 0.4 MM
- PLATING :
TERMINAL:
CONTACT AREA : GOLD 0.75 MICROMETER MINIMUM.
SOLDER TAIL AREA : PURE TIN 1~3 MICROMETER PLATING.
UNDER PLATING : NICKEL 1.25 MICROMETER MINIMUM.
SHIELD CASE :
PURE TIN 1~3 MICROMETER PLATING.
UNDER PLATING : NICKEL 1.0 MICROMETER MINIMUM.
- TAIL & NAIL COPLANARITY 0.1 mm MAXIMUM.
- PRODUCT SPECIFICATION REFER TO PS-67803-001.
- PACKAGING INFORMATION REFER TO TABLE.
- COMPLIANT TO RoHS DIRECTIVE 2002/95/EC AND ELV DIRECTIVE 2000/53/EC.



RECOMMENDED P.C.B. PATTERN LAYOUT



SECTION A-A

ADD PART NUMBER EC NO: SH2009-0651 DRW: XJ.SONG 2009/05/18 CHK: XJ.SONG 2009/05/19 APPR: H.WANG 2009/07/17	QUALITY SYMBOLS ▽=0 ▽=0	GENERAL TOLERANCES (UNLESS SPECIFIED)		DIMENSION STYLE MM ONLY	SCALE 8:1	DESIGN UNITS METRIC	THIRD ANGLE PROJECTION	
		4 PLACES ± --- ± ---	DRAWN BY LXWANG	DATE 2004/11/29	TITLE USB SERIES MINI-B REC. ASS'Y SMT TYPE (LEAD FREE)			
		3 PLACES ± --- ± ---	CHECKED BY HARVEY	DATE 2004/11/29	MOLEX INCORPORATED			
		2 PLACES ± 0.25 ± --- 1 PLACE ± 0.25 ± --- ANGULAR ± 3 °	APPROVED BY YTYAP	DATE 2004/11/29	MATERIAL NO. SEE TABLE	DOCUMENT NO. SD-67503-010	SHEET NO. 1 OF 1	

DRAFT WHERE APPLICABLE MUST REMAIN WITHIN DIMENSIONS

SIZE A3 THIS DRAWING CONTAINS INFORMATION THAT IS PROPRIETARY TO MOLEX INCORPORATED AND SHOULD NOT BE USED WITHOUT WRITTEN PERMISSION