

**PLEASE CHECK WWW.MOLEX.COM FOR LATEST PART INFORMATION**

**Part Number:** [1200905080](#)  
**Status:** **Active**  
**Overview:** [nanochange 40m841 products](#)  
**Description:** Nano-Change® (M8) Receptacle, M8 x 1.0 Mounting Threads, Straight Male, Male with Back Mounting Pins, with 5 Poles on Mating Side

**Documents:**

[Drawing \(PDF\)](#) [RoHS Certificate of Compliance \(PDF\)](#)

**General**

Product Family	Industrial Receptacles
Series	<a href="#">120090</a>
IP Rating	IP67
NEMA Rating	NEMA 6
Overview	<a href="#">nanochange 40m841 products</a>
Product Name	Nano-Change® (M8)
Type	Bulkhead Feed-Through

**Physical**

Coupling Type	External Thread
Gender	Male
Keyway	None
Length	N/A
Material - Component	Nickel-plated Brass
Mounting Thread Size	M8 x 1.0
Orientation	Straight
Panel Mount	Back
Poles	5
Temperature Range - Operating	-25°C to +90°C
Wire Size AWG	N/A
Wire/Cable Type	N/A

**Electrical**

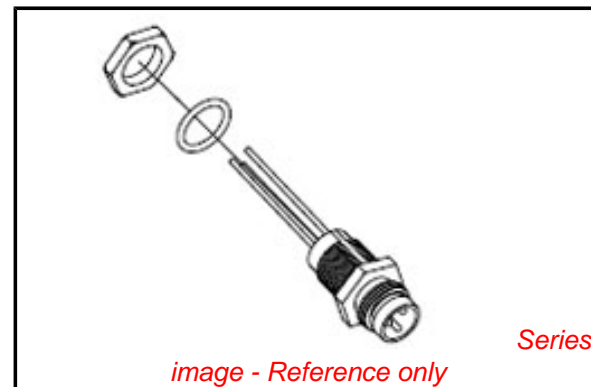
Current - Maximum per Contact	4A
Voltage - Maximum	60V AC / 75V DC

**Material Info**

Old Part Number	4R5F46000
-----------------	-----------

**Reference - Drawing Numbers**

Sales Drawing	SD-120090-005
---------------	---------------



**EU RoHS**

**RoHS Compliant by Exemption**  
**REACH SVHC Not Reviewed**  
**Halogen-Free Status Not Reviewed**

**China RoHS**

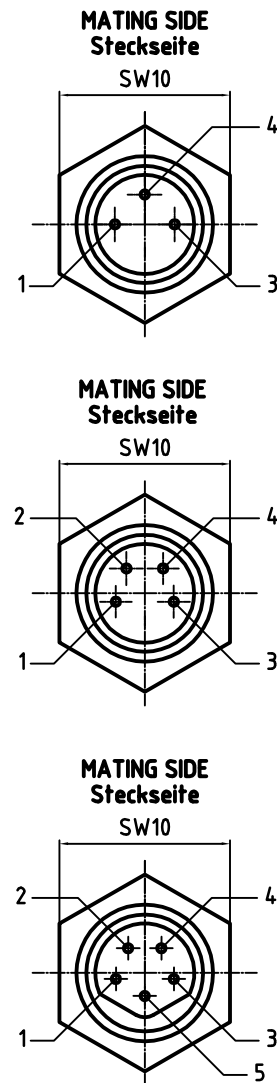


**Need more information on product environmental compliance?**

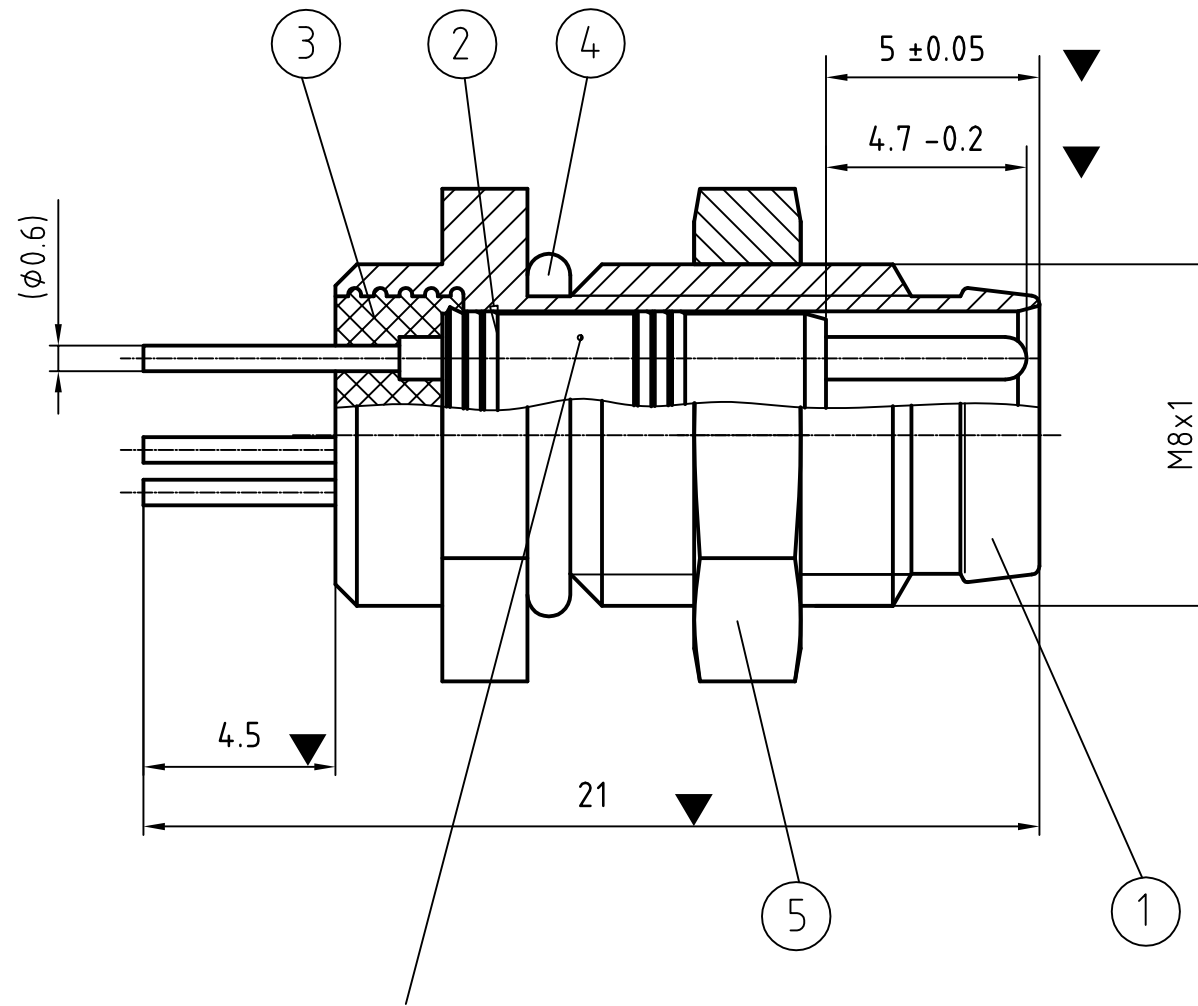
Email [productcompliance@molex.com](mailto:productcompliance@molex.com)  
 For a multiple part number RoHS Certificate of Compliance, [click here](#)

Please visit the [Contact Us](#) section for any non-product compliance questions.

**Search Parts in this Series**  
[120090Series](#)



5P-VERSION AS SHOWN M 5:1  
 5P Version wie dargestellt M 5:1



ATTENTION: THE MALE INSERT (POS. 2) is pressed in AGAINST 3- AND 4-POL VERSION NOT FROM THE MATING SIDE; BUT FROM THE TERMINATION SIDE.

Achtung: Der Stifteinsatz (Pos.2) wird entgegen der 3- und 4-pol Version nicht von der Steckseite, sondern von der Anschlußseite eingepreßt.

NOTES / Bemerkung:

1	CRIMP CONTACT Crimp Kontakt	WN-00003
2	CABLE LENGTH TOLERANCE Kabellängentoleranz	WN-00004
3	POTTING Verguss	ES-120000-019
4	PACKAGING FOR RECEPTACLE Verpackung für Gerätestecker	PK-120000-018
5	PIN-ASSIGNMENT Pin-Belegung	IEC 61076-2-104
6	WINDING SPECIFICATION Wickelvorschrift	ES-120000-020

SAP-NUMBER SAP-Nummer	OLD MATERIAL-NO. alte Artikel-Nr.	REPLACED Ersatz für
1200905072	4R3F46000	0908 036GM 05000
1200905077	4R4F46000	0908 046GM 05000
1200905080	4R5F46000	0908 056GM 05000

DESCRIPTION EC NO.: WEU2009-0457 6/29/09 DRWN: BBRAUCH CH'KD: --- APPR: JKOLB 2009/09/15	QUALITY SYMBOLS ▽ = 4 ▽C = 0	GENERAL TOLERANCES (UNLESS SPECIFIED)		DIMENSION STYLE MM		SCALE 2:1	DESIGN UNITS METRIC	FIRST ANGLE PROJECTION
		mm	INCH	DRAWN BY BB	DATE 2009/06/26	M8 MALE RECEPTACLES- BACK-PIN M8 GERAETEST. BACK-PIN		
4 PLACES ±---	±---	CHECKED BY JKO	DATE 2009/08/05					
3 PLACES ±---	±---	APPROVED BY FP	DATE 2009/08/05	molex MOLEX INCORPORATED				
2 PLACES ±0.05	±---	MATERIAL NO. see table					DOCUMENT NO. SD-120090-005	SHEET NO. 1 OF 1
1 PLACE ±0.1	±---	DRAFT WHERE APPLICABLE MUST REMAIN WITHIN DIMENSIONS						
ANGULAR ± ---- °		SIZE A3		THIS DRAWING CONTAINS INFORMATION THAT IS PROPRIETARY TO MOLEX INCORPORATED AND SHOULD NOT BE USED WITHOUT WRITTEN PERMISSION				