

Model No.	OSF004206GD-XXXXZ2C1X
REV.	C1

## PRODUCT SPECIFICATION FOR **LED Light Module**

### Descriptions:

- Low power consumption, high intensity
- Long life, easy installation
- Voltages available 12VDC
- LED quantity: 6pcs Super Flux
- LED model number: OSXXXXZ2C1X

### Features:

- Available in red, orange, yellow, green, blue, white
- Directly use on line voltage
- Low power consumption, high intensity
- Energy saving
- Excellent beam control
- Long life

### Application:

- Channel letter signs
- Indirect accent décor light
- Large area back lighting
- Under counter light
- Automobile Light
- Substitute neon light

### Product Picture:





Model No.	OSF004206GD-XXXXZ2C1X
REV.	C1

### Device Selection Guide

Module No.	Color	Dom. Wavelength(Typ.)	Condition	Luminous Flux / Per LED(Typ.)
R5PAZ2C1D	Red	625±5nm	IF=50mA	6 lm
O5GAZ2C1D	Orange	605±5nm	IF=50mA	6 lm
Y5PAZ2C1D	Yellow	590±5nm	IF=50mA	6 lm
G58AZ2C1D	Green	525±5nm	IF=30mA	6 lm
B56LZ2C1D	Blue	470±5nm	IF=30mA	4.5 lm
W54LZ2C1P	White	X=0.27 ; Y=0.27	IF=30mA	7.5 lm
M54LZ2C1P	Warm White	X=0.45 ; Y=0.41	IF=30mA	7 lm
K57LZ2C1D	Pink	X=0.45 ; Y=0.17	IF=30mA	0.6 lm

### Absolute Maximum Ratings(Ta=25 )

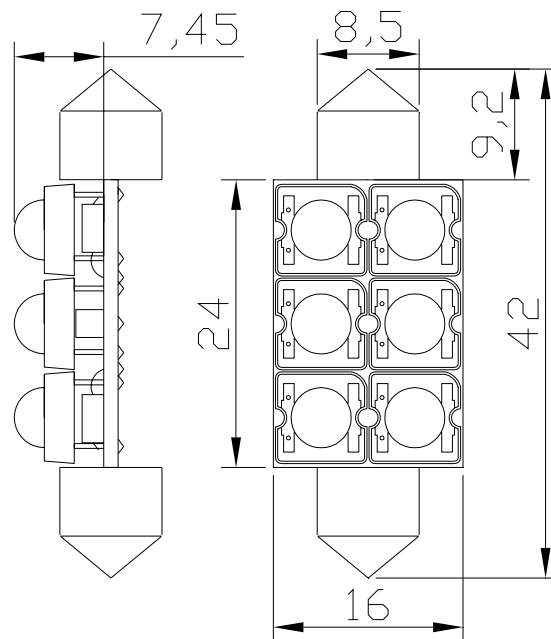
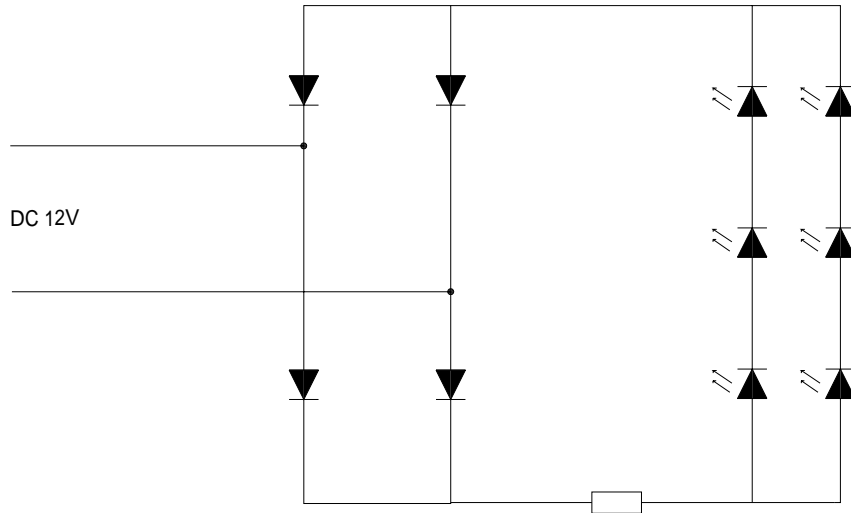
Items	Symbol	Values	Units
Operating Supply Range(DC)	V <sub>dc</sub>	14	V
Input Current (DC)	I <sub>i</sub>	100	mA
Power Dissipation	P <sub>a</sub>	1.4	W
LED Light Source Temperature	T <sub>led</sub>	105	DegC
Operating Temperature	T <sub>ope</sub>	-20 ~ +75	DegC
Storage Temperature	T <sub>sto</sub>	-20 ~ +80	DegC

### Typical Performance (Ta=25 )

Items	Symbol	Min.	Typ.	Max.	Units
LED Module Power	P <sub>m</sub>	-	0.72	1.4	w
Input Voltage(DC)	V <sub>i</sub>	-	12	14	V
Product Input Current	I <sub>f</sub>	-	60	100	mA
Beam Pattern	BP	-	120	-	Deg
Modules Size	Size.	-	42*16	-	mm
Net Weight	Wei.	-	4.2	-	g

Model No.	OSF004206GD-XXXXZ2C1X
REV.	C1

**Product Dimensions:**



Unit: mm  
Tolerance:  $\pm 0.30\text{mm}$