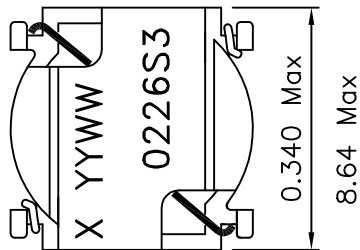
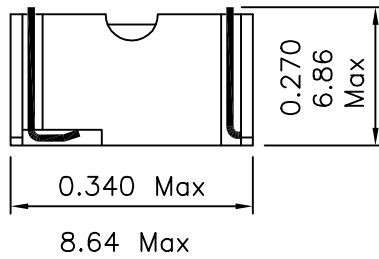
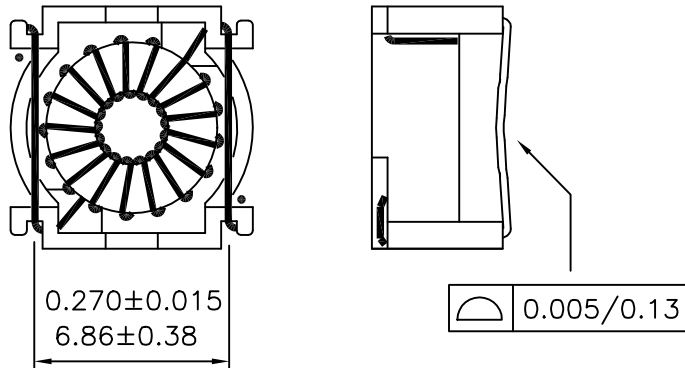


Mechanical:



Schematic:



Electrical Specifications:

DC Resistance: 0.125 ohms Maximum
 OCL: 22.7uH Typ @1.0KHz 1.0V
 OCL: 17.6uH Typ @1.0KHz 1.0V 1.00Adc

DOC. REV A/1

XFMRs Inc UNLESS OTHERWISE SPECIFIED TOLERANCES: .xxx±.010 Inch Dimensions in Inch/mm	Title: Surface Mount Inductor	
	P/N: XF0226S3	REV. A
	DWN. 李清儿	Mar-19-99
	CHK. 孙悦	Mar-19-99
SHEET 1 OF 1	APP. Joe Huff	Mar-19-99