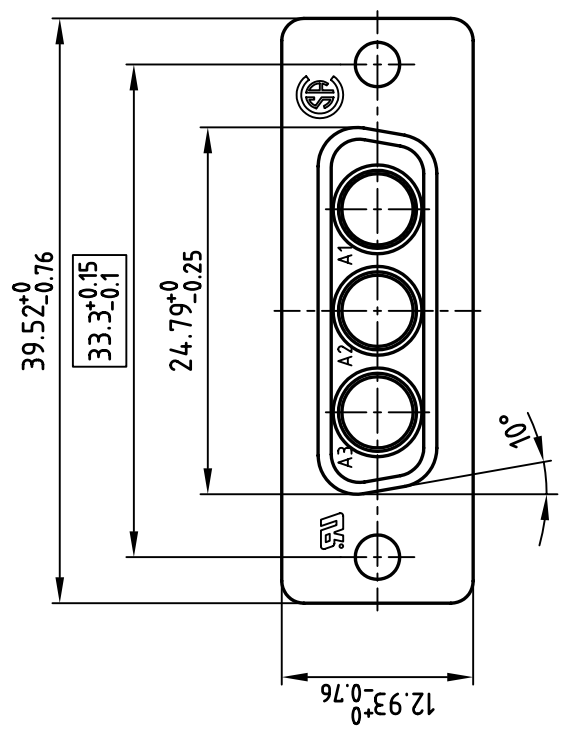
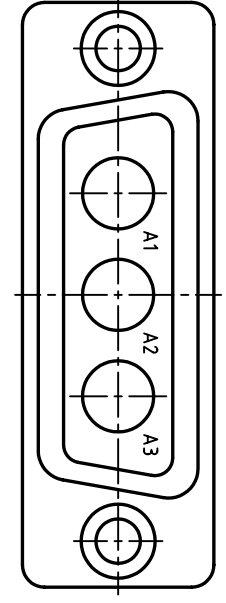
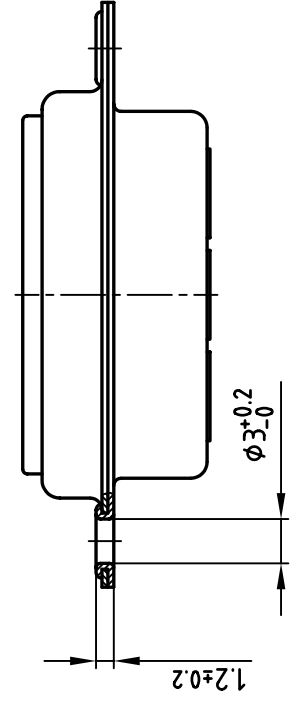
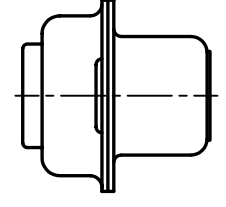
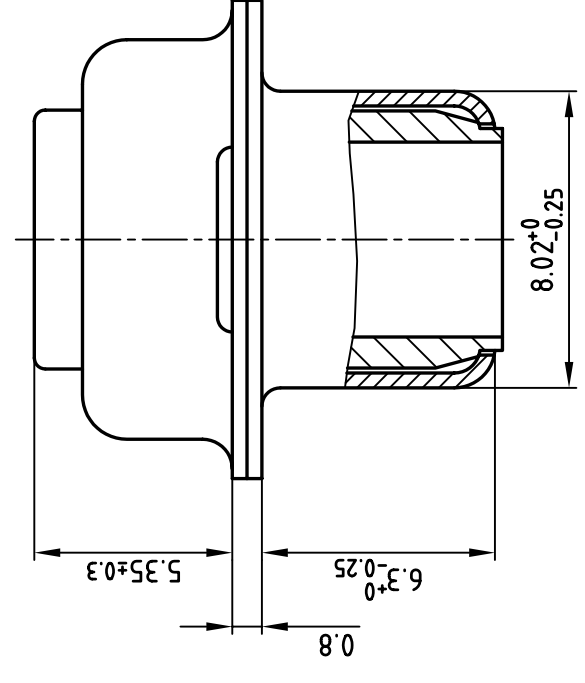


F 1 2 3 4 5 6 7 8

used for: D-SUB COMBINATION



5:1



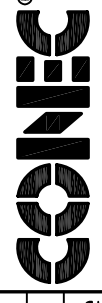
NOTES:

1. METALSHELLS: STEEL; min. 320µ" TIN
2. INSULATORS: PBT GF UL 94 V-0, GREEN
3. = CRITICAL DIMENSION: SPC



THIS DRAWING MAY NOT BE COPIED OR REPRODUCED IN ANY WAY, AND MAY NOT BE PASSED ON TO A THIRD PARTY WITHOUT WRITTEN PERMISSION.
 OWNERSHIP AND COPYRIGHT OF CONEC GMBH DO NOT ALTER CAD DRAWING BY HAND

tolerance	name	date	rev.	description	date	name
	2001	11.05.				
	drawn	11.05.				
	appd.	11.05.				
	norm					
	d-old					



D-SUB COMBINATION FEMALE
 3W3S

scale: 2:1 (5:1)
 material: SEE NOTES
 title: D-SUB COMBINATION FEMALE
 dwg no: 13K1A246A
 part no: 3003W3SXX99A10X
 DIN-A 3
 sh: 1/1

F 1 2 3 4 5 6 7 8