

PLEASE CHECK WWW.MOLEX.COM FOR LATEST PART INFORMATION

Part Number: **0334861604**
Status: **Active**
Overview: mx150 sealed connector system
Description: 3.50mm (.138") Pitch MX150™ Hybrid Sealed Male Connector, Dual Row, 16 Circuits, Polarization D, without Connector Position Assurance, Green

Documents:

3D Model	Product Specification PS-33476-000 (PDF)
Application Specification (PDF)	RoHS Certificate of Compliance (PDF)
Drawing (PDF)	



General

Product Family	Crimp Housings
Series	33486
Comments	No Connector Position Assurance (CPA), Hybrid
More Detailed Tech Information	http://ewcap.uscarteams.org
Overview	<u>mx150 sealed connector system</u>
Product Name	MX150™

Physical

Circuits (maximum)	16
Circuits Detail	16
Color - Resin	Black, Green, Natural
Gender	Male
Glow-Wire Compliant	No
Keying to Mating Part	Yes
Lock to Mating Part	Yes
Material - Resin	Modified Polystyrene Alloy
Number of Rows	2
Packaging Type	Bag
Panel Mount	No
Pitch - Mating Interface (in)	0.138 In
Pitch - Mating Interface (mm)	3.50 mm
Polarized to Mating Part	Yes
Stackable	No
Temperature Range - Operating	-40°C to +125°C

Electrical

Current - Maximum per Contact	22A
-------------------------------	-----

Material Info

Reference - Drawing Numbers

Application Specification	AS-33472-100
Packaging Specification	PK-31300-514
Product Specification	PS-33476-000
Sales Drawing	SD-33486-161

EU RoHS ELV and RoHS Compliant REACH SVHC Contains SVHC: No Halogen-Free Status Halogen-Free	China RoHS
---	-----------------------

Need more information on product environmental compliance?

Email productcompliance@molex.com
 For a multiple part number RoHS Certificate of Compliance, [click here](#)

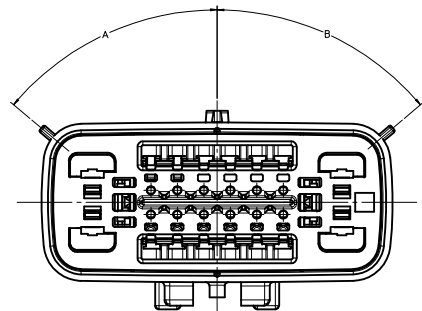
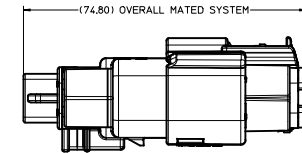
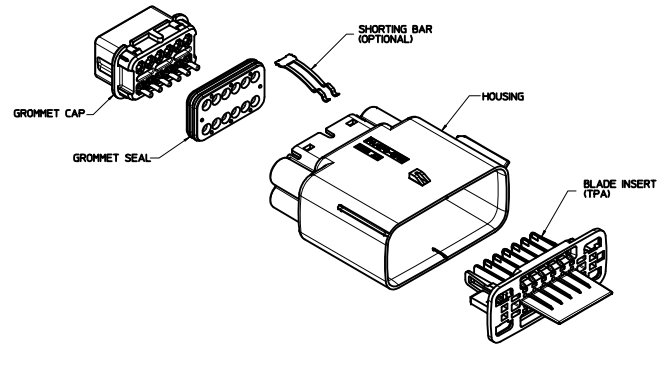
Please visit the [Contact Us](#) section for any non-product compliance questions.

Search Parts in this Series
33486Series

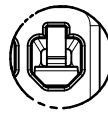
Mates With
33476 Female Dual Row Hybrid Sealed Connector

Use With
33000 MX150™ Tin (Sn) Male Terminal,
33011 Gold (Au) Male Terminal

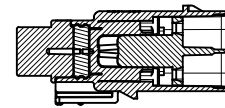
PLEASE CHECK WWW.MOLEX.COM FOR LATEST PART INFORMATION



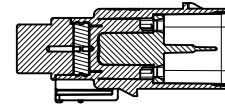
KEYING OPTION
SEE TABLE
SCALE 4:1



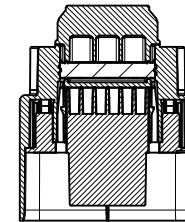
DETAIL 1
SCALE 10:1
USE ONLY BLADE TERMINAL P/N 31296-0008
FOR ALL SHORTING BAR APPLICATIONS
INSERT SHORTING BAR BLADE TERMINALS INTO
GROMMET CAP OPENINGS AS SHOWN ABOVE



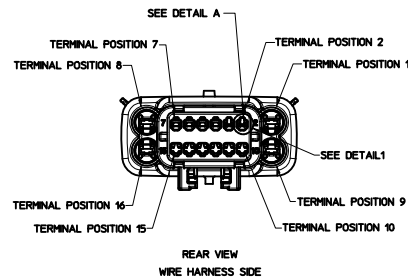
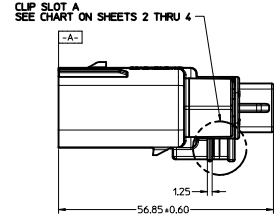
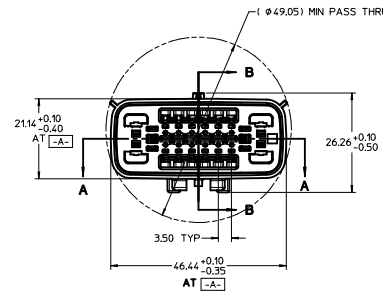
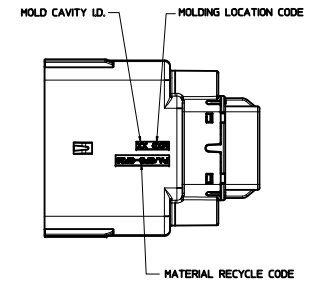
SECTION B-B
INSERT SHOWN IN PRE-LOCK POSITION
SEE NOTE 2



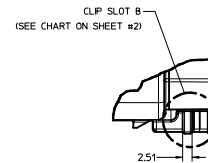
SECTION B-B
INSERT SHOWN IN FINAL LOCK POSITION
SEE NOTE 2



SECTION A-A



REAR VIEW
WIRE HARNESS SIDE

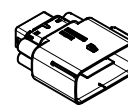


CLIP SLOT B
(SEE CHART ON SHEET #2)
APPLIES TO 33486-1744, AND 33486-1745 ONLY
SCALE 2:1

NOTES: UNLESS OTHERWISE STATED

- DESIGNED TO MATE WITH RECEPTACLE HOUSING ASSEMBLY SPECIFIED IN DRAWING SD-33476-161.
- ASSEMBLY SHIPPED WITH BLADE INSERT IN PRE-LOCKED POSITION (SEE SECTION B-B PRE-LOCK). UPON FULL TERMINAL ASSEMBLY, EACH BLADE INSERT MUST BE SNAPPED INTO ITS FINAL-LOCK POSITION. FORCE TO MOVE TPA FROM FINAL LOCK TO PRE-LOCK POSITION: 75 N MAX.
- FOR 15mm BLADE TERMINALS TO BE USED WITH THIS ASSEMBLY SEE MOLEX DRAWING SD-33500-001 FOR 2.8mm RECEPTACLE TERMINALS SEE TABLE.
- SYSTEM TO BE USED WITH WIRE WITHIN RANGE OF 1.5mm TO 2.5mm.
- MATERIAL: SPS/NYLON BLEND, 20% GLASS FILLED.
- FOR ASSEMBLIES W/SHORTING BARS, ASSEMBLE SHORTING BARS PER SPECIFICATION E-33546-001
- SHORTING BAR TERMINAL CRIMP ANGLE MUST BE BETWEEN -14 DEG. AND +35 DEG. AFTER INSTALLATION INTO THE CONNECTOR ASSEMBLY. REFER TO MOLEX DRAWING SD-31296-001 FOR DETAILS.
- SHALL CONFORM TO PACKAGING SPECIFICATION PK-31300-514.
- SHALL CONFORM TO PRODUCT SPECIFICATION PS-33476-000.
- ASSEMBLY CONFORMS TO SAE/USCAR-2 REV. 4 WITH THE FOLLOWING EXCEPTIONS:
14 AWG TERMINAL INSERTION FORCES SHALL NOT EXCEED 42 NEWTONS.

TYO9 2.8mm CABLE SEAL TERMINAL		
FORD P/N	GRIP SIZE	
SP2T-14421-GA	12	
IFT-14421-JA	14	
IFT-14421-HA	16	
IFT-14421-GA	18	
IFT-14421-FA	20	
IFT-14421-EA	22	



SCALE 1:1

ENTER DESCRIPTION EC NO. UAU2010-001 DRAWING THIS 7017 OR 01 APPROPRIATE 2010/04/04 REV.	QUALITY SYMBOLS 	GENERAL TOLERANCES (UNLESS SPECIFIED) mm INCH 4 PLACES +--- ±--- 3 PLACES +--- ±--- 2 PLACES +0.10 ±--- 1 PLACE ±0.3 ±--- ANGULAR ± 3°	DIMENSION STYLE MM ONLY DRAWN BY DATE JWSLEY 06-16-02 CHECKED BY DATE DRIFTHS 07-09-02 APPROVED BY DATE VKOSHY 2010/04/06	SCALE 2:1 DESIGN UNITS METRIC THIRD ANGLE PROJECTION 	TITLE 15MM/2.8MM HYBRID CONNECTOR, BLADE 2 ROW HOUSING, SEALED, 16 WAY MOLEX INCORPORATED	MATERIAL NO. SD-33486-161 DOCUMENT NO. SD-33486-161 SHEET NO. 1 OF 4
	DRAFT WHERE APPLICABLE MUST REMAIN WITHIN DIMENSIONS			SEE CHART THIS DRAWING CONTAINS INFORMATION THAT IS PROPRIETARY TO MOLEX INCORPORATED AND SHOULD NOT BE USED WITHOUT WRITTEN PERMISSION		

