

PLEASE CHECK WWW.MOLEX.COM FOR LATEST PART INFORMATION

Part Number: [0558830290](#)
Status: **Active**
Description: 3.30mm (.130") Pitch Wire-to-Board Header, Single Row, with Positive Lock, Lead-free, 2 Circuits

Documents:

[3D Model](#) [Product Specification PS-51284-002 \(PDF\)](#)
[Drawing \(PDF\)](#) [RoHS Certificate of Compliance \(PDF\)](#)

General

Product Family	PCB Headers
Series	55883
Application	Wire-to-Board
Product Name	N/A

Physical

Breakaway	No
Circuits (Loaded)	2
Color - Resin	Natural
Durability (mating cycles max)	30
First Mate / Last Break	No
Glow-Wire Compliant	No
Guide to Mating Part	No
Keying to Mating Part	Yes
Lock to Mating Part	Yes
Material - Metal	Brass
Material - Plating Mating	Tin
Material - Plating Termination	Tin
Material - Resin	Nylon
Number of Rows	1
Orientation	Vertical
PC Tail Length (in)	0.138 In
PC Tail Length (mm)	3.50 mm
PCB Locator	Yes
PCB Retention	Yes
PCB Thickness Recommended (in)	0.062 In
PCB Thickness Recommended (mm)	1.60 mm
Packaging Type	Tray
Pitch - Mating Interface (in)	0.130 In
Pitch - Mating Interface (mm)	3.30 mm
Polarized to Mating Part	Yes
Polarized to PCB	Yes
Shrouded	Fully
Surface Mount Compatible (SMC)	No
Temperature Range - Operating	-25°C to +85°C
Termination Interface: Style	Through Hole - Kinked Pin

Electrical

Current - Maximum per Contact	4A
Voltage - Maximum	300V

Material Info

Reference - Drawing Numbers

Product Specification	PS-51284-002, RPS-51284-006, RPS-51284-007, RPS-51284-008, RPS-51284-009
Sales Drawing	SD-55883-010

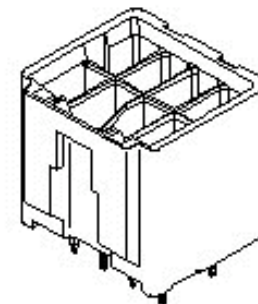


image - Reference only

Series

EU RoHS

**ELV and RoHS
Compliant**
REACH SVHC
 Not Reviewed
**Halogen-Free
Status**

China RoHS



**Need more information on product
environmental compliance?**

Email productcompliance@molex.com
 For a multiple part number RoHS Certificate of
 Compliance, [click here](#)

Please visit the [Contact Us](#) section for any
 non-product compliance questions.

Search Parts in this Series

[55883Series](#)

Mates With

[51347 Wire-to-Wire Receptacle Housing](#)

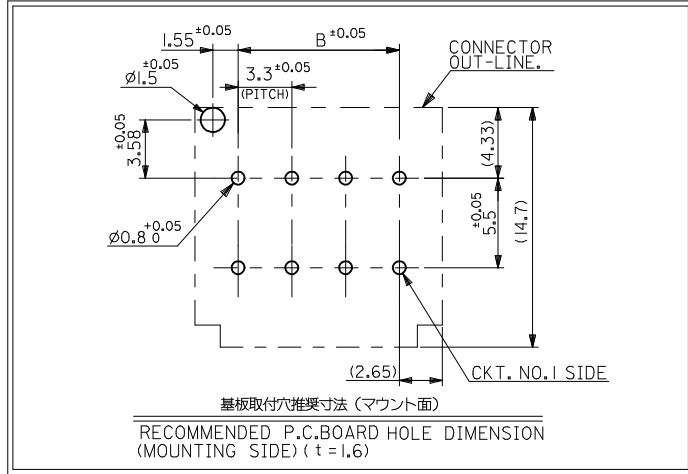
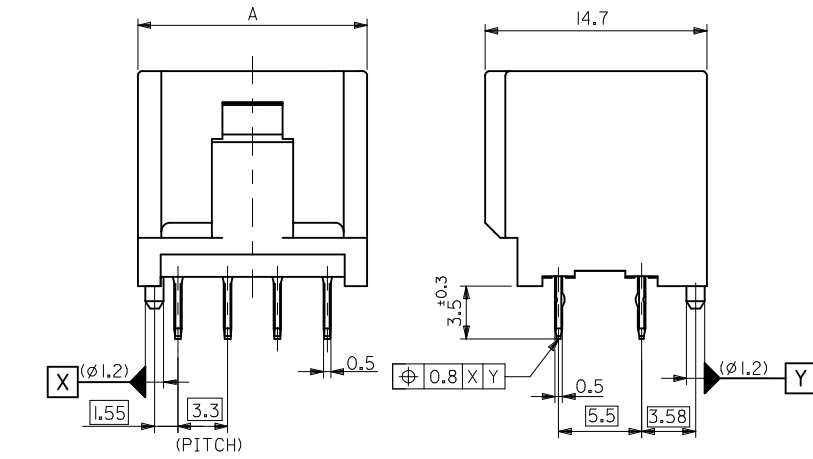
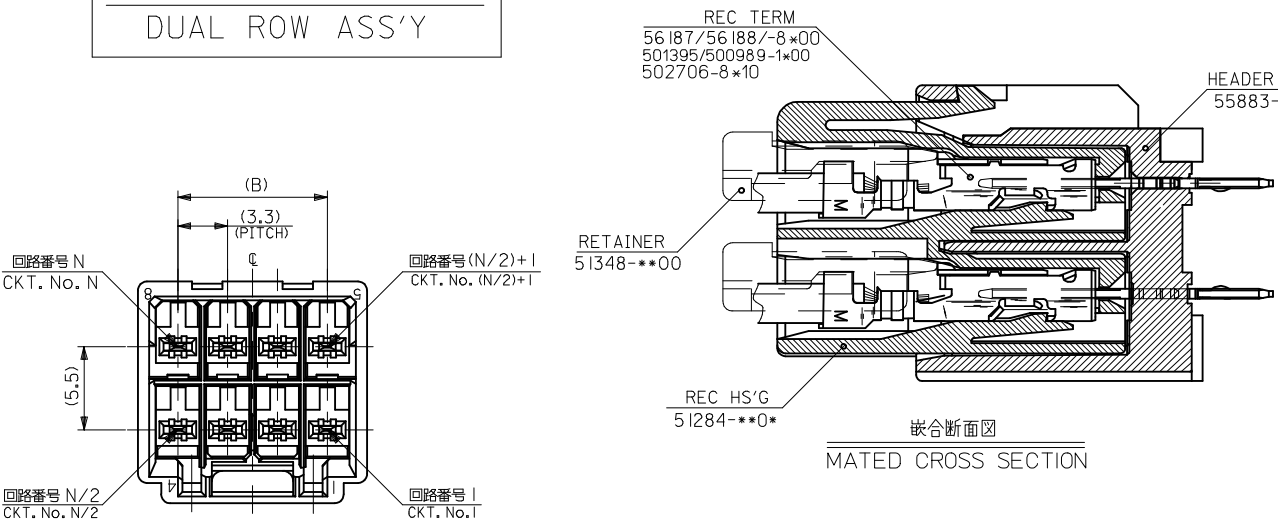
This document was generated on 04/21/2010

PLEASE CHECK WWW.MOLEX.COM FOR LATEST PART INFORMATION

本図は2列品を示す
DUAL ROW ASS'Y

注記
NOTES

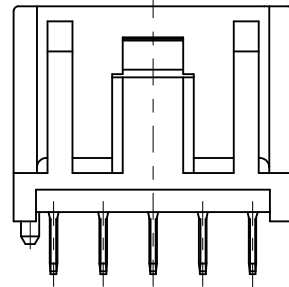
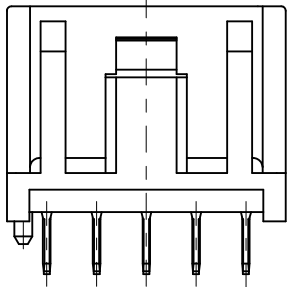
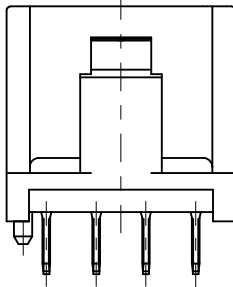
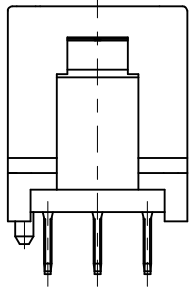
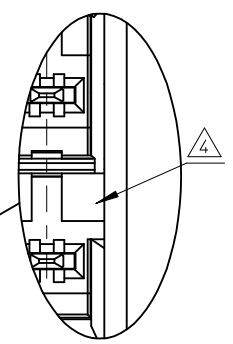
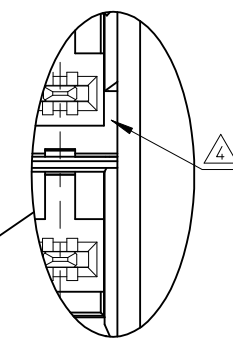
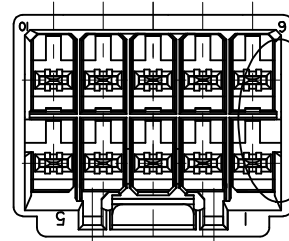
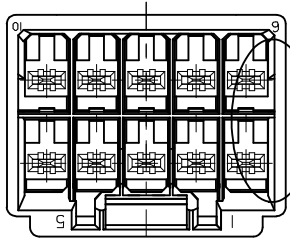
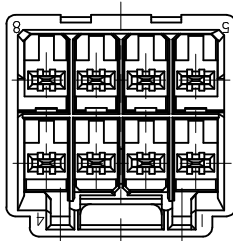
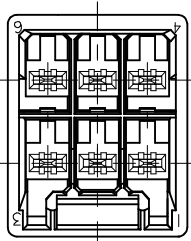
- 材料
MATERIAL : 黄銅, ニッケル下地鍍メッキ
PIN : BRASS, TIN OVER NICKEL PLATED
ヘッダー
HEADER : ポリアミド (PA), ガラス充填, UL94V-0
MATE WITH : 51284-***8
- 嵌合相手
MATE WITH : 51284-***8
- ソルダーテールキンは、両端のピンのみとする。
KINK TO BE APPLIED FOR 4 PINS AT BOTH ENDS.
- 極性用溝
PALARIZING KEY
- ELV及びRoHS 適合品
ELV AND RoHS COMPLIANT



LOCK SIDE	BLACK	13.2	18.5	55883-1091	10
OPPOSITE SIDE OF LOCK	NATURAL (IVORY)	9.9	15.2	-1090	8
	RED	6.6	11.9	-0890	
MATING KEY POSITION (SEE SHEET 2 OF 3)	COLOR	B	A	-0690	6
				TRAY PACKAGE	極数
				オーダー番号 ORDER NO.	CIRCUITS

REVISED EC NO: J2010-0432 DRW: NYOSHIKAWA 2009/09/11 CHK: K. ASAKAWA 2009/09/14 APPR: NUKITA 2009/09/15	GENERAL TOLERANCES (UNLESS SPECIFIED)		DIMENSION STYLE MM ONLY	SCALE ---	CONNECTOR SERIES No. 55883-***9*
	10 UNDER	±0.2	DRAWN BY J. KUGOU	DATE '04/02/12	DESIGN UNITS METRIC
	10 OVER 30 UNDER	±0.25	CHECKED BY M. SASAO	DATE '04/02/12	THIRD ANGLE PROJECTION
	30 OVER	±0.3	APPROVED BY M. SASAO	DATE '04/02/12	
	ANGULAR	±3 °	MATERIAL NO.	DOCUMENT NO.	
	DRAFT WHERE APPLICABLE MUST REMAIN WITHIN DIMENSIONS		SIZE A3	SEE CHART	
	THIS DRAWING CONTAINS INFORMATION THAT IS PROPRIETARY TO MOLEX INCORPORATED AND SHOULD NOT BE USED WITHOUT WRITTEN PERMISSION				
	MOLEX INCORPORATED				SHEET NO. 1 OF 3
	3.3 WIRE TO BOARD CONN. HEADER ASS'Y				
	SD-55883-010				

本図は2列品を示す
DUAL ROW ASS'Y



SHAPE OF
55883-0690
HEADER COLOR:NATURAL

SHAPE OF
55883-0890
HEADER COLOR:NATURAL
55883-0892
HEADER COLOR:RED

SHAPE OF
55883-1090
HEADER COLOR:NATURAL

SHAPE OF
55883-1091
HEADER COLOR:BLACK

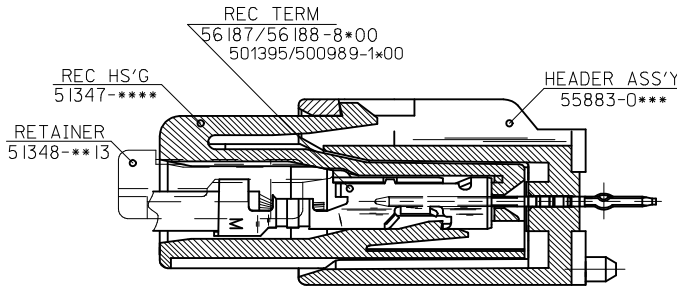
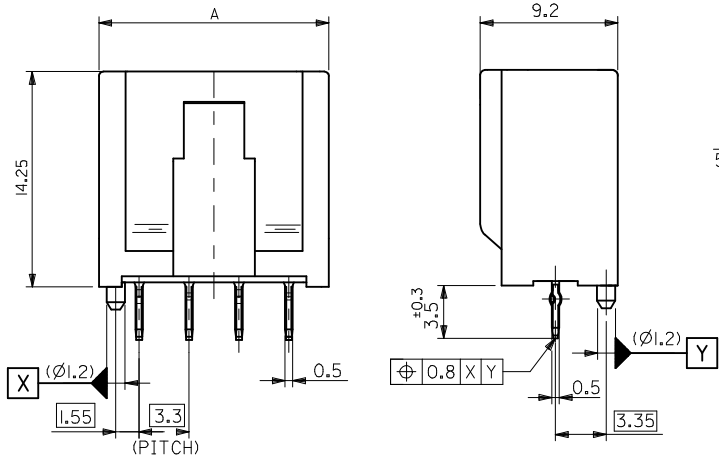
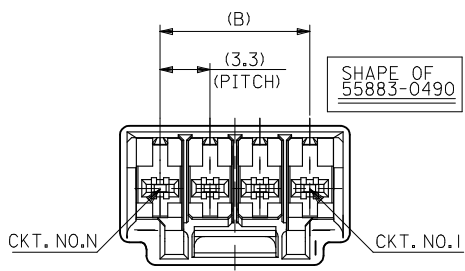
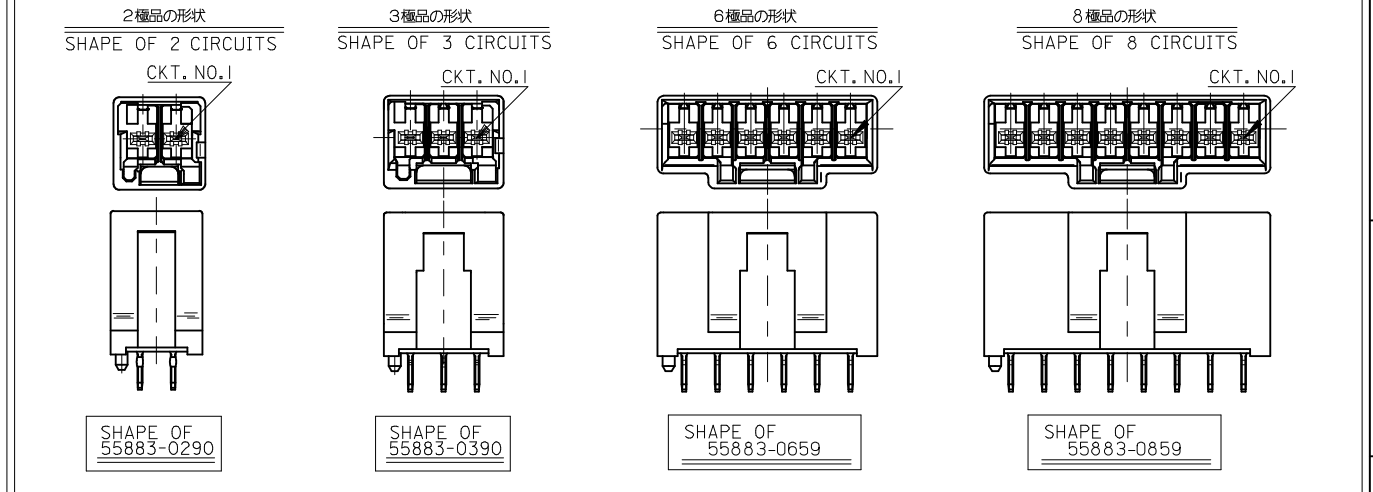
MATING KEY POSITION: OPPOSITE SIDE OF LOCK

MATING KEY POSITION: LOCK SIDE

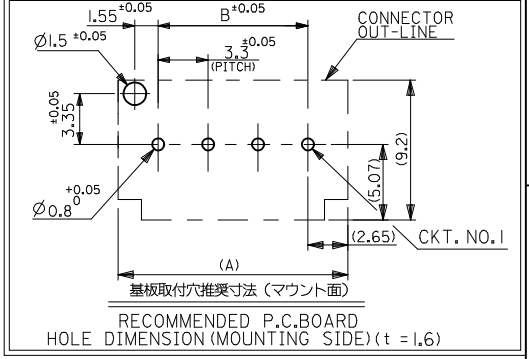
極数レイアウト図
LAYOUT OF EACH CIRCUITS

REVISED EC NO: J2010-0432 DRAWN: YOSHIKAWA 2009/09/11 CHKDK: ASAKAWA 2009/09/14 APPR: NUKITA 2009/09/15	GENERAL TOLERANCES (UNLESS SPECIFIED)		DIMENSION STYLE MM ONLY	SCALE ---	DESIGN UNITS METRIC	THIRD ANGLE PROJECTION
	10 UNDER	± 0.2	DRAWN BY J. KUGOU	DATE '04/02/12	TITLE 3.3 WIRE TO BOARD CONN. HEADER ASS'Y	
	10 OVER 30 UNDER	± 0.25	CHECKED BY M. SASAO	DATE '04/02/12		
	30 OVER	± 0.3	APPROVED BY M. SASAO	DATE '04/02/12	MOLEX INCORPORATED	
ANGULAR ±3 °		MATERIAL NO.	DOCUMENT NO.	SHEET NO.		
DRAFT WHERE APPLICABLE MUST REMAIN WITHIN DIMENSIONS		SEE SHEET 1	SD-55883-010	2 OF 3		
THIS DRAWING CONTAINS INFORMATION THAT IS PROPRIETARY TO MOLEX INCORPORATED AND SHOULD NOT BE USED WITHOUT WRITTEN PERMISSION						

本図は1列品を示す
SINGLE ROW ASS'Y



嵌合断面図
MATED CROSS SECTION



NATURAL (IVORY)	23.1	28.4	55883-0859	8
	16.5	21.8	55883-0659	6
	9.9	15.2	55883-0490	4
	6.6	11.9	55883-0390	3
	3.3	9.1	55883-0290	2
COLOR	B	A	TRAY PACKAGE	極数
	オーダー番号 ORDER NO.			CIRCUITS

注記
NOTES

- 材料 MATERIAL
ピン PIN : 黄銅, ニッケル下地鍍メッキ
PIN : BRASS, TIN OVER NICKEL PLATED
ヘッダー HEADER : ホリアミド (PA), ガラス充填 UL94V-0
: POLYAMIDE (PA), GLASS FILLED, UL94V-0
- 嵌合相手 MATE WITH : 51347-****
- ELV及びRoHS 適合品
ELV AND RoHS COMPLIANT

REVISED EC NO: J2010-0432 DRWN: YOSHIKAWA 2009/09/11 CHKD: ASAKAWA 2009/09/14 APPR: NUKITA 2009/09/15	DESCRIPTION	GENERAL TOLERANCES (UNLESS SPECIFIED)		DIMENSION STYLE	SCALE	CONNECTOR SERIES No. 55883-0***		
				MM ONLY	---	DESIGN UNITS	THIRD ANGLE PROJECTION	
		10 UNDER	±0.2	DRAWN BY	DATE	TITLE		
		10 OVER 30 UNDER	±0.25	J. KUGOU	'04/02/12	3.3 WIRE TO BOARD CONN. HEADER ASS'Y		
30 OVER	±0.3	CHECKED BY	DATE					
		M. SASAO	'04/02/12	APPROVED BY	DATE			
		M. SASAO	'04/02/12	MATERIAL NO.	DOCUMENT NO.			
		ANGULAR ±3 °		SEE CHART	SD-55883-010			
		DRAFT WHERE APPLICABLE MUST REMAIN WITHIN DIMENSIONS		MOLEX INCORPORATED				
		SIZE	THIS DRAWING CONTAINS INFORMATION THAT IS PROPRIETARY TO MOLEX INCORPORATED AND SHOULD NOT BE USED WITHOUT WRITTEN PERMISSION					
		A3						
			SHEET NO. 3 OF 3					