

**PLEASE CHECK WWW.MOLEX.COM FOR LATEST PART INFORMATION**

**Part Number:** [0714253001](#)  
**Status:** **Active**  
**Description:** 0.80mm (.031") Pitch Ultra+™ VHDCI Plug Kit, IDT

**Documents:**

[3D Model](#) [Product Specification PS-71425-9999 \(PDF\)](#)  
[Test Summary \(PDF\)](#) [RoHS Certificate of Compliance \(PDF\)](#)  
[Drawing \(PDF\)](#)

**General**

Product Family	I/O Connectors
Series	<a href="#">71425</a>
Application	Wire-to-Board
Component Type	Plug
Product Name	SCSI+, VHDCI
Type	N/A

**Physical**

Boot Color	N/A
Circuits (Loaded)	68
Circuits (maximum)	68
Durability (mating cycles max)	500
Gender	Plug
Lock to Mating Part	Yes
Material - Plating Mating	Gold
Number of Rows	2
Orientation	Vertical
PCB Locator	No
PCB Retention	N/A
Packaging Type	Tray
Panel Mount	No
Pitch - Mating Interface (in)	0.031 In
Pitch - Mating Interface (mm)	0.80 mm
Pitch - Term. Interface (in)	0.031 In
Pitch - Term. Interface (mm)	0.80 mm
Polarized to Mating Part	Yes
Polarized to PCB	N/A
Ports	1
Surface Mount Compatible (SMC)	No
Temperature Range - Operating	-55°C to +85°C
Termination Interface: Style	N/A
Waterproof / Dustproof	No
Wire Size AWG	30

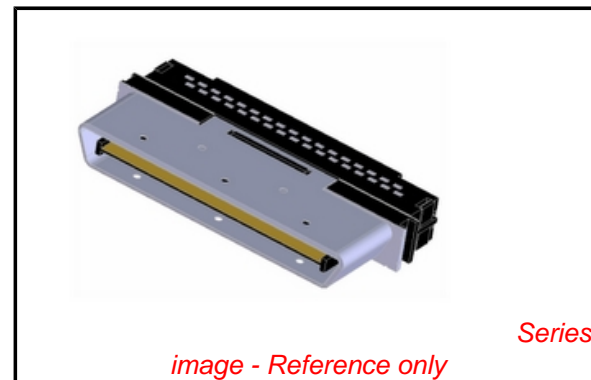
**Electrical**

Current - Maximum per Contact	0.5A
Shield Type	Full Shield
Shielded	Yes
Voltage - Maximum	30V AC (RMS)/DC

**Material Info**

**Reference - Drawing Numbers**

Product Specification	PS-71425-9999, RPS-71425-001
Sales Drawing	SD-71425-2002



**EU RoHS**  
**ELV and RoHS**  
**Compliant**  
**REACH SVHC**  
 Not Reviewed  
**Halogen-Free**  
**Status**  
 Not Reviewed

**China RoHS**



**Need more information on product environmental compliance?**

Email [productcompliance@molex.com](mailto:productcompliance@molex.com)  
 For a multiple part number RoHS Certificate of Compliance, [click here](#)

Please visit the [Contact Us](#) section for any non-product compliance questions.

**Search Parts in this Series**

[71425Series](#)

**Mates With**

Ultra+™ VHDCI Receptacles: 71430, 73776, and 74337

**Use With**

[73796](#) Strain Relief

**Application Tooling | FAQ**

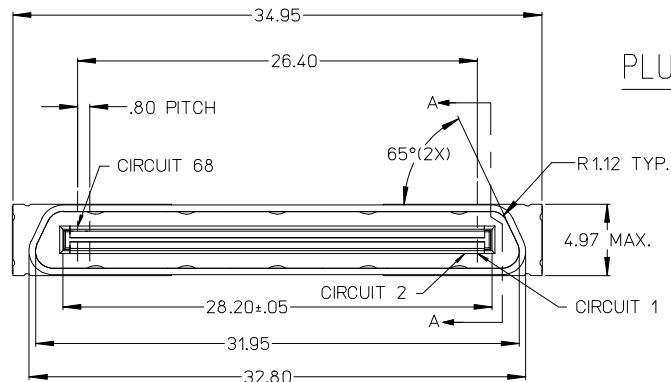
*Tooling specifications and manuals are found by selecting the products below. Crimp Height Specifications are then contained in the Application Tooling Specification document.*

**Global**

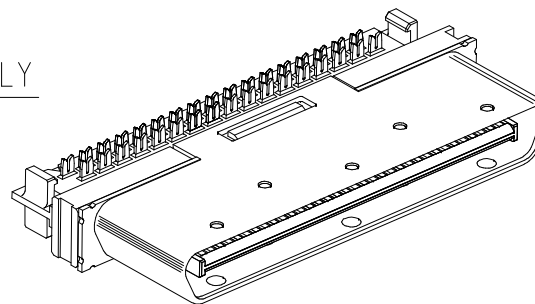
Description	Product #
Manual Arbor Press, VHDCI	<a href="#">0622004500</a>
Semi-Automatic VHDCI Terminator for Ultra+™ Connectors	<a href="#">0623004100</a>

This document was generated on 04/05/2010

**PLEASE CHECK [WWW.MOLEX.COM](http://WWW.MOLEX.COM) FOR LATEST PART INFORMATION**

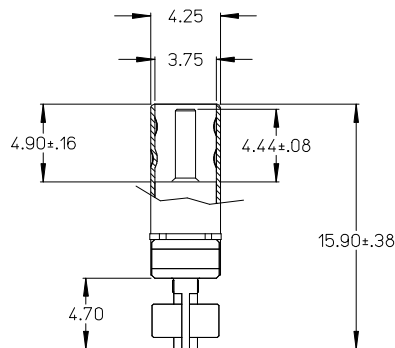
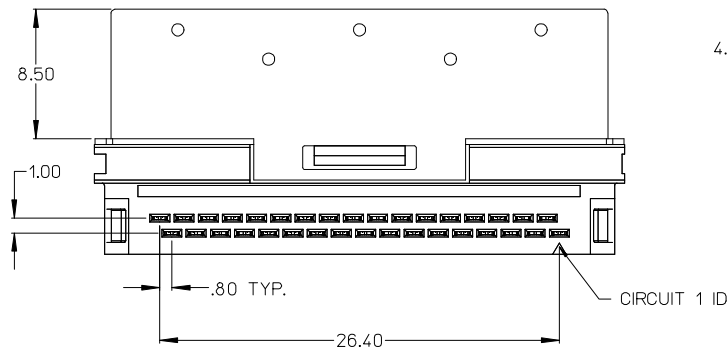


PLUG ASSEMBLY

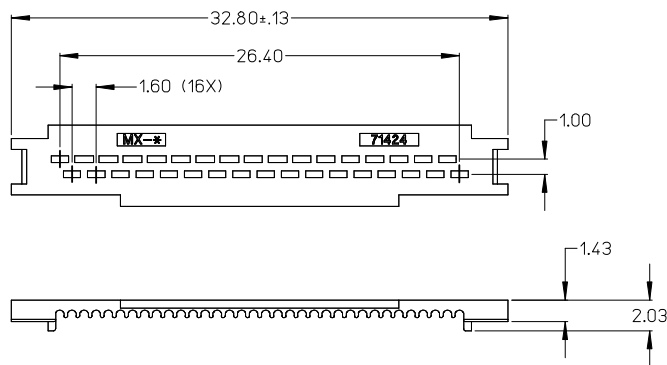


NOTES:

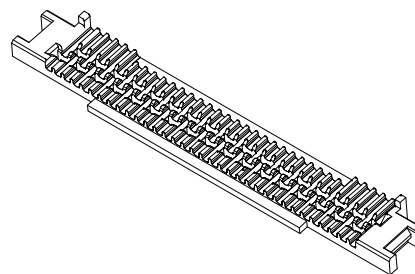
- MATERIALS:  
HOUSING: GLASS FILLED LIQUID CRYSTAL POLYMER (LCP), NATURAL, UL 94V-0  
TERMINALS: COPPER ALLOY  
SHIELD: ALUMINUM KILLED STEEL
- FINISH: TERMINALS: 0.05 MICROMETER MINIMUM GOLD FLASH OVER 0.75 MICROMETER MINIMUM PALLADIUM NICKEL IN THE CONTACT AREA  
NICKEL UNDERPLATE OVERALL  
SHIELD: 2.54 MICROMETER MINIMUM BRIGHT NICKEL OVER COPPER FLASH.
- ASSEMBLY MATES WITH RECEPTACLE #71430 AND 73776.
- PACKAGED PER PK-70873-0851.
- PRODUCT CONFORMS TO PS-71425-9999.
- FOR DIE CAST SHELL KITS SEE SD-73796-008.
- PART COMPLIES WITH CLASS B OF COSMETIC SPECIFICATION PS-45992-002.
- TO BE USED WITH 28-30 AWG STRANDED WIRE OR 30 AWG SOLID CORE WIRE.
- SEE AS-71425-001 FOR WIRE TERMINATION GUIDELINES.



SECTION A-A



WIRE COVER



KIT COMPONENTS			
KIT ITEM #	DESCRIPTION	QUANTITY	ITEM PART #
71425-3001	PLUG ASSEMBLY	1	71425-0002
	WIRE COVER	2	71424-0001

ADD NOTE 9	EC NO: UCP2009-2243	2009/03/25
	DRWN:BBARKER	2009/03/26
	CHKD:BSMART	2009/03/26
	APPR:SMILLER	2009/03/27

QUALITY SYMBOLS
▽=0
▽=0

GENERAL TOLERANCES (UNLESS SPECIFIED)	
	mm
	INCH
4 PLACES	± .05
3 PLACES	± .03
2 PLACES	± .025
1 PLACE	± .015
ANGULAR ±1/2°	
DRAFT WHERE APPLICABLE MUST REMAIN WITHIN DIMENSIONS	

DIMENSION STYLE	
MM ONLY	
DRAWN BY	DATE
BBARKER	2002/10/29
CHECKED BY	DATE
DMORGAN	2002/10/29
APPROVED BY	DATE
SMILLER	2002/10/29
MATERIAL NO.	
SEE TABLE	
SIZE	C

SCALE	DESIGN UNITS	THIRD ANGLE PROJECTION
	METRIC	
TITLE		
VHDCI 0.8 MM PITCH 68 CIRCUIT IDT PLUG KIT - SALES ASSEMBLY		
MOLEX INCORPORATED		SHEET NO.
DOCUMENT NO.		1 OF 1
SD-71425-2002		