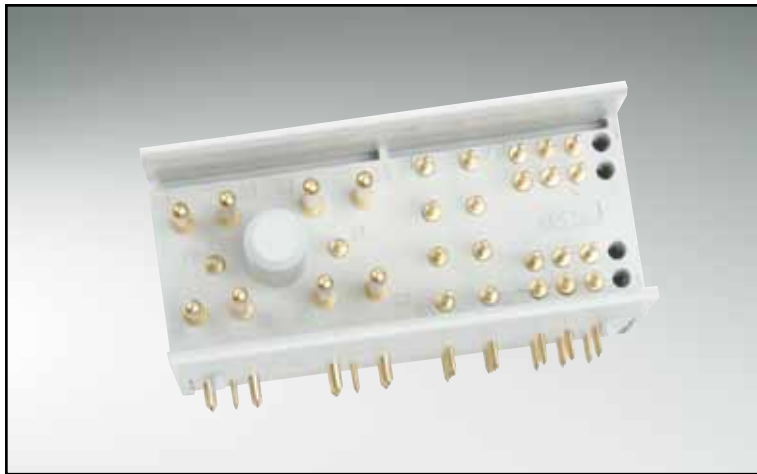


# ADVANCEDTCA

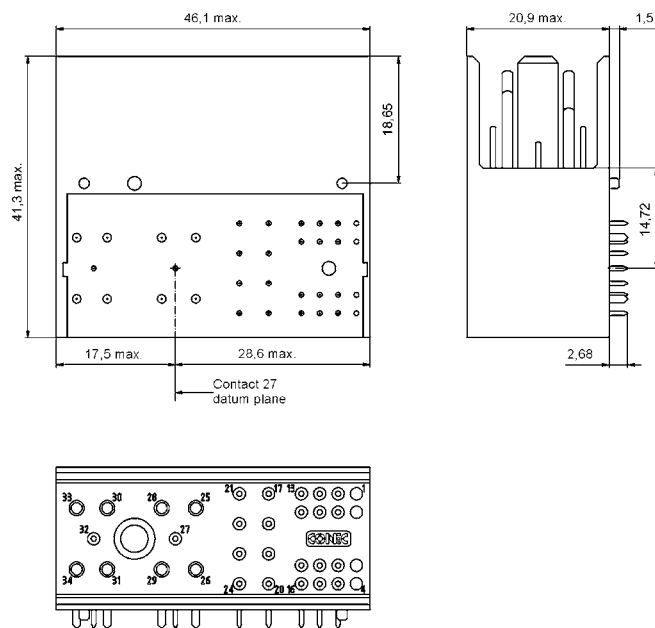
## Male Connector – Precision machined contacts



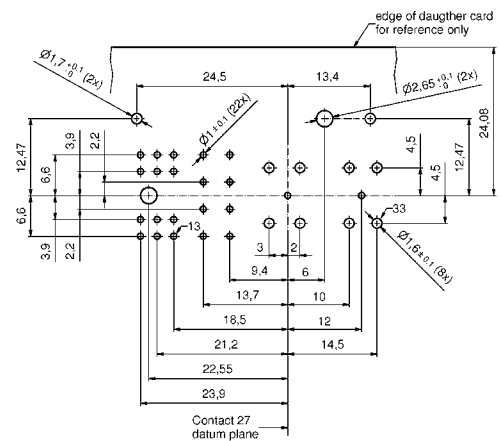
### DESCRIPTION

- Solder pin angled
- 30-position
- Position 1 - 4 no contacts
- Front board connector

### PRODUCT DRAWING



### PCB-HOLE PATTERN



### ORDER DATA

Number of Positions	Plating	Part Numbers
30	gold flash	ATC30W08MARAS5X
30	30 micro inch	ATC30W08MARC55X