

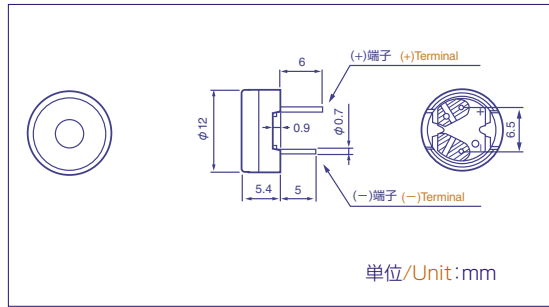
CB-12EP



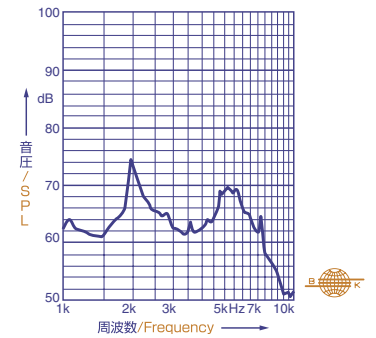
φ12×5.4mm

接続リード/Connection leads: P,W,N

●外形寸法図/Outline drawing



●周波数特性/ Frequency characteristics



●仕様/Specifications

定格電圧	Rated voltage (V)	1.5	音圧*	Sound pressure level* (dB)	min.70 typ.75 (at 10cm)	直流抵抗	DC resistance (Ω)	42
平均消費電流*	Average current consumption* (mA)	max.10	駆動周波数	Driving frequency (Hz)	2,048	動作電圧範囲	Operating voltage range (VDC)	1.1~1.7

★1.5V, 2,048Hz, 1/2 duty, 方形波/★At 1.5V, 2,048Hz, 1/2 duty, square wave

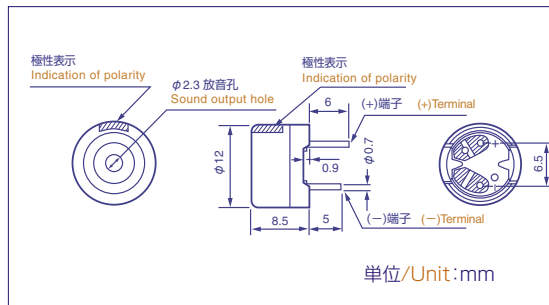
CB-12GP-03



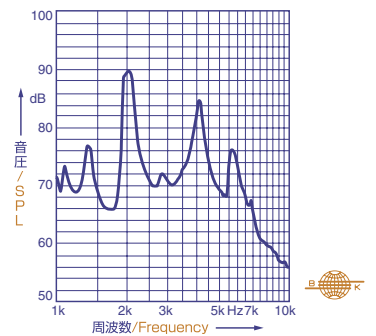
φ12×8.5mm

接続リード/Connection leads: P,W,N

●外形寸法図/Outline drawing



●周波数特性/ Frequency characteristics



●仕様/Specifications

定格電圧	Rated voltage (V)	1.5	音圧*	Sound pressure level* (dB)	min.85 typ.90 (at 10cm)	直流抵抗	DC resistance (Ω)	17
平均消費電流*	Average current consumption* (mA)	max.25	駆動周波数	Driving frequency (Hz)	2,048	動作電圧範囲	Operating voltage range (VDC)	1.1~1.7

★1.5V, 2,048Hz, 1/2 duty, 方形波/★At 1.5V, 2,048Hz, 1/2 duty, square wave

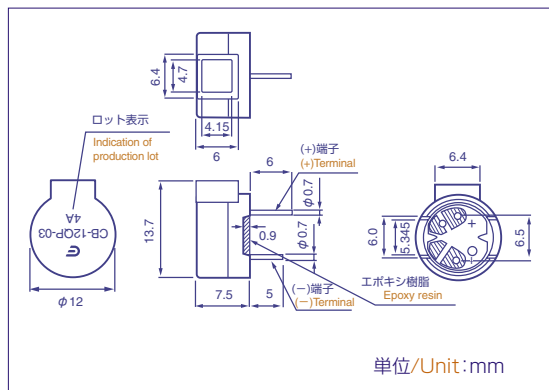
CB-12QP-03



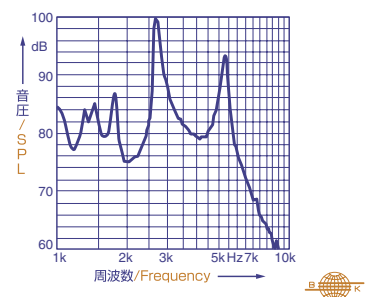
φ12×7.5mm

接続リード/Connection leads: P

●外形寸法図/Outline drawing



●周波数特性/ Frequency characteristics



●仕様/Specifications

定格電圧	Rated voltage (V)	1.5	音圧*	Sound pressure level* (dB)	min.85 typ.90 (at 10cm)	直流抵抗	DC resistance (Ω)	5
平均消費電流*	Average current consumption* (mA)	max.70	駆動周波数	Driving frequency (Hz)	2,731	動作電圧範囲	Operating voltage range (VDC)	1~2

★1.5V, 2,731Hz, 1/2 duty, 方形波/★At 1.5V, 2,731Hz, 1/2 duty, square wave