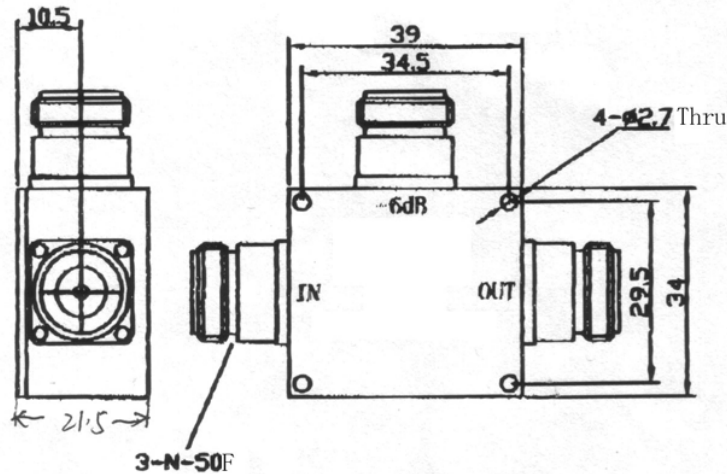


Directional Coupler

P/N: JXWBOH-T-30-88-6-100

Frequency Range(MHz)	30-88
Coupling(dB)	6
Insertion Loss(dB)	0.6
Isolation(dB)	20
VSWR	1.3 max
Handling Power(W)	100 CW
Connector	N-Female
Operating Temperature(°C)	-55 ~ +85
Storage Temperature(°C)	-60 ~ +100

Outline Drawing (Size: mm)



For current data sheets, please contact: sales@aacix.com