

PLEASE CHECK WWW.MOLEX.COM FOR LATEST PART INFORMATION

Part Number: [0678038020](#)

Status: **Active**

Overview: [usb_otg_onthego](#)

Description: Universal Serial Bus (USB) On-The-Go (OTG) Mini-AB Receptacle, Right Angle, SMT, with Shell Tabs, Plastic Pegs and Cover Tape, Color Gray, Lead Free

Documents:

[3D Model](#)

[Product Specification PS-67803-001 \(PDF\)](#)

[Drawing \(PDF\)](#)

[RoHS Certificate of Compliance \(PDF\)](#)

General

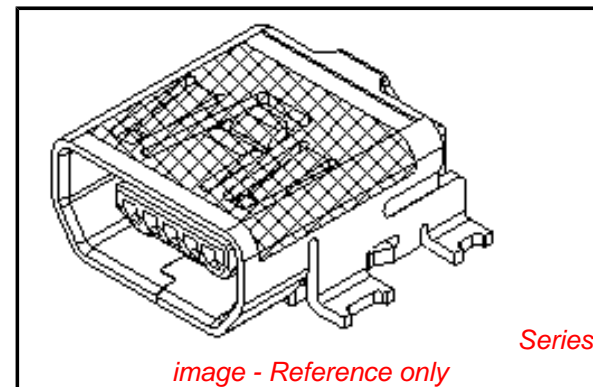
| | |
|----------------|---------------------------------|
| Product Family | I/O Connectors |
| Series | 67803 |
| Application | Wire-to-Board |
| Component Type | Receptacle |
| Overview | usb_otg_onthego |
| Product Name | USB OTG (On-The-Go) |
| Type | Mini-AB (OTG) |

Physical

| | |
|--------------------------------|-----------------------|
| Boot Color | N/A |
| Circuits (Loaded) | 5 |
| Circuits (maximum) | 5 |
| Color - Resin | Gray |
| Lock to Mating Part | Yes |
| Material - Metal | Copper Alloy |
| Material - Plating Mating | Gold |
| Material - Plating Termination | Tin |
| Material - Resin | Nylon |
| Number of Rows | 1 |
| Orientation | Right Angle |
| PCB Locator | Yes |
| PCB Retention | Yes |
| Packaging Type | Embossed Tape on Reel |
| Panel Mount | No |
| Pitch - Mating Interface (in) | 0.031 In |
| Pitch - Mating Interface (mm) | 0.80 mm |
| Pitch - Term. Interface (in) | 0.031 In |
| Pitch - Term. Interface (mm) | 0.80 mm |
| Plating min: Mating (µin) | 30 |
| Plating min: Mating (µm) | 0.75 |
| Plating min: Termination (µin) | 150 |
| Plating min: Termination (µm) | 3.80 |
| Polarized to Mating Part | Yes |
| Polarized to PCB | Yes |
| Ports | 1 |
| Temperature Range - Operating | 0°C to +50°C |
| Termination Interface: Style | Surface Mount |
| Waterproof / Dustproof | No |
| Wire Size AWG | N/A |

Electrical

| | |
|-------------------------------|-----|
| Current - Maximum per Contact | 1A |
| Shielded | Yes |
| Voltage - Maximum | 30V |



EU RoHS

**ELV and RoHS
Compliant**

REACH SVHC

Not Reviewed

Halogen-Free

Status

Not Reviewed

China RoHS



**Need more information on product
environmental compliance?**

Email productcompliance@molex.com
For a multiple part number RoHS Certificate of
Compliance, [click here](#)

Please visit the [Contact Us](#) section for any
non-product compliance questions.

Search Parts in this Series

[67803Series](#)

Mates With

USB OTG mini-A plug, USB OTG mini-B
plug, [88753](#) Cable Assembly

Solder Process Data

Lead-free Process Capability
Process Temperature max. C

Reflow Capable (SMT only)
250

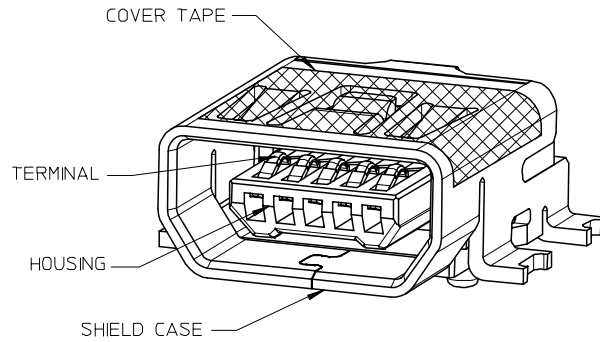
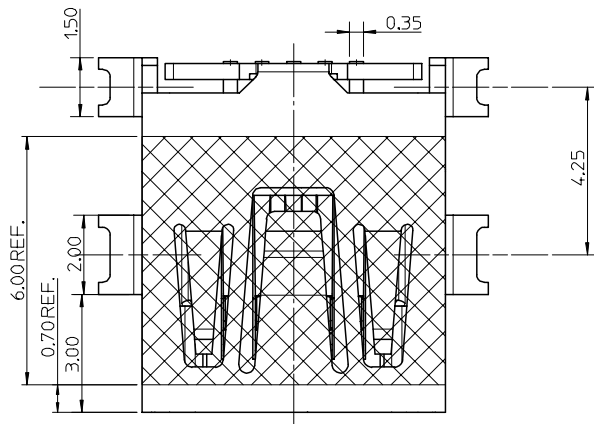
Material Info**Reference - Drawing Numbers**

Packaging Specification
Product Specification
Sales Drawing

PK-67503-001
PS-67803-001
SD-67803-002

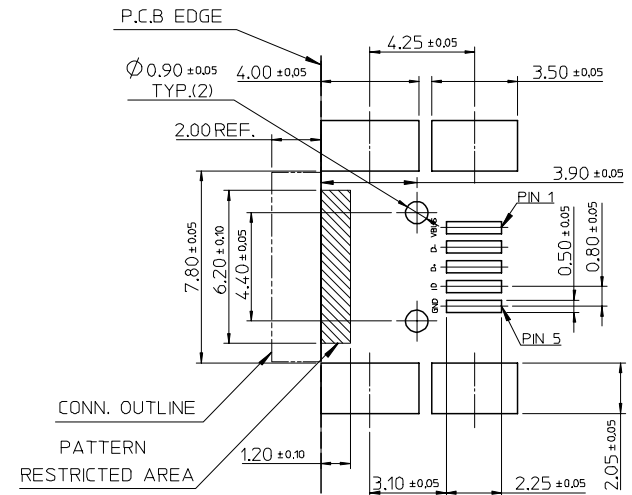
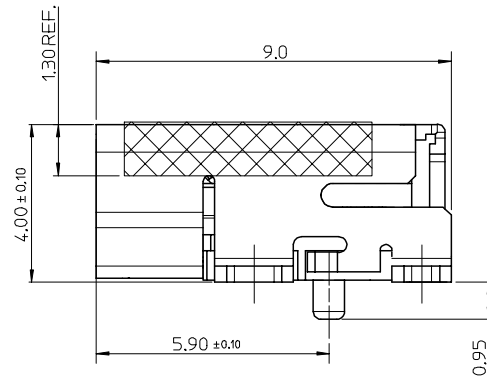
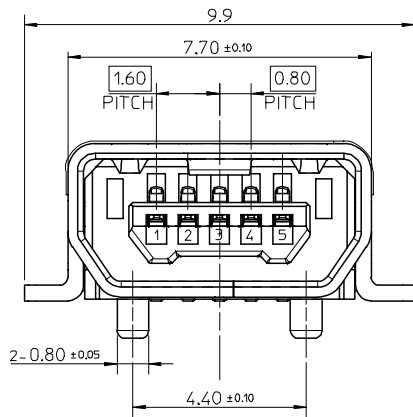
This document was generated on 05/19/2010

PLEASE CHECK WWW.MOLEX.COM FOR LATEST PART INFORMATION



NOTE :

1. MATERIAL :
 HOUSING : NYLON GLASS FILLED , GRAY,UL94V-0
 TERMINAL : COPPER ALLOY THICKNESS = 0.2 MM
 SHIELD CASE : COPPER ALLOY THICKNESS = 0.4 MM
2. PLATING :
 TERMINAL:
 CONTACT AREA : GOLD 0.75 MICROMETER MINIMUM.
 SOLDER TAIL AREA : PURE TIN 3.8 MICROMETER MINIMUM.
 UNDER PLATING : NICKEL 1.25 MICROMETER MINIMUM.
 SHIELD CASE :
 PURE TIN 1~3 MICROMETER MINIMUM.
 UNDER PLATING : NICKEL 1.0 MICROMETER MINIMUM.
3. TAIL & NAIL COPLANARITY 0.1 mm MAXIMUM.



RECOMMENDED P.C.B. PATTERN LAYOUT

| COMPONENT | REMARK |
|------------|--------------------|
| P/N | |
| 67803-8020 | WITH COVER TAPE |
| 67803-8021 | WITHOUT COVER TAPE |

| | | |
|--------------|--------------------|------------|
| REVISE | EC NO: SH2006-0852 | 2006/06/30 |
| DRWN: X/SONG | 2006/07/04 | |
| CHKD: WANG | 2006/07/04 | |
| APPR: INCHEH | 2006/07/05 | |

| QUALITY SYMBOLS | DESCRIPTION |
|-----------------|-------------|
| ▽=0 | |
| ▽=0 | |

| GENERAL TOLERANCES (UNLESS SPECIFIED) | |
|--|---------|
| | MM ONLY |
| | INCH |
| 4 PLACES | ± --- |
| 3 PLACES | ± --- |
| 2 PLACES | ± 0.25 |
| 1 PLACE | ± 0.25 |
| ANGULAR ± 3 ° | |
| DRAFT WHERE APPLICABLE MUST REMAIN WITHIN DIMENSIONS | |

| DIMENSION STYLE | |
|-----------------|--------------|
| MM ONLY | |
| DRAWN BY | DATE |
| JACK | 2004/11/23 |
| CHECKED BY | DATE |
| HARVEY | 2004/11/23 |
| APPROVED BY | DATE |
| YTYAP | 2004/11/23 |
| MATERIAL NO. | DOCUMENT NO. |
| SEE TABLE | SD-67803-002 |
| SIZE | |
| A3 | |

| | | |
|---|--------------|------------------------|
| SCALE | DESIGN UNITS | THIRD ANGLE PROJECTION |
| 8:1 | METRIC | |
| TITLE | | |
| USB SERIES MINI-AB REC. ASS'Y SMT TYPE (LEAD-FREE) | | |
| MOLEX INCORPORATED | | |
| DOCUMENT NO. | | SHEET NO. |
| SD-67803-002 | | 1 OF 1 |
| THIS DRAWING CONTAINS INFORMATION THAT IS PROPRIETARY TO MOLEX INCORPORATED AND SHOULD NOT BE USED WITHOUT WRITTEN PERMISSION | | |