

PLEASE CHECK WWW.MOLEX.COM FOR LATEST PART INFORMATION

Part Number: [0783950001](#)
Status: **Active**
Description: 0.80mm(.031"), 1.27mm(.050") Micro SAS Receptacle, Right Angle, SMT, 0.76µm (30µ") Gold (Au) Plating, 25 Circuits, for 1.00mm (.039") PCB Thickness, Halogen free, Lead free

Documents:

[3D Model](#) [Product Specification PS-78395-001 \(PDF\)](#)
[Drawing \(PDF\)](#) [RoHS Certificate of Compliance \(PDF\)](#)

Agency Certification

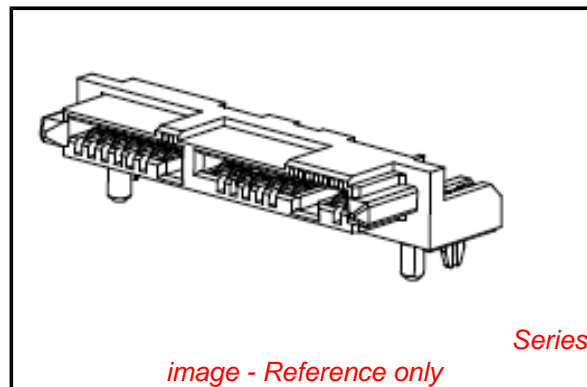
UL E29179

General

Product Family I/O Connectors
 Series [78395](#)
 Application Board-to-Board
 Component Type Receptacle
 Product Name Micro SAS
 Type N/A

Physical

Boot Color N/A
 Circuits (Loaded) 25
 Circuits (maximum) 25
 Circuits Detail Signal 14, Power 9, Sideband 2
 Color - Resin Black
 Durability (mating cycles max) 500
 Flammability 94V-0
 Gender Female
 Keying to Mating Part Yes
 Lock to Mating Part None
 Material - Metal Copper Alloy
 Material - Plating Mating Gold
 Material - Plating Termination Tin
 Material - Resin High Temperature Thermoplastic
 Number of Rows 2
 Orientation Right Angle
 PCB Locator Yes
 PCB Retention Yes
 PCB Thickness Recommended (in) 0.039 In
 PCB Thickness Recommended (mm) 1.00 mm
 Packaging Type Tray
 Panel Mount Yes
 Pitch - Mating Interface (in) 0.031 In, 0.050 In
 Pitch - Mating Interface (mm) 0.80 mm, 1.27 mm
 Plating min: Mating (µin) 30
 Plating min: Mating (µm) 0.76
 Plating min: Termination (µin) 100
 Plating min: Termination (µm) 2.54
 Polarized to Mating Part Yes
 Polarized to PCB Yes
 Ports 2
 Temperature Range - Operating 0°C to +55°C
 Termination Interface: Style Surface Mount
 Waterproof / Dustproof No



EU RoHS

ELV and RoHS Compliant
REACH SVHC Contains SVHC: No
Halogen-Free Status
Not Reviewed

China RoHS



Need more information on product environmental compliance?

Email productcompliance@molex.com
 For a multiple part number RoHS Certificate of Compliance, [click here](#)

Please visit the [Contact Us](#) section for any non-product compliance questions.

Search Parts in this Series

[78395Series](#)

Mates With

[78394](#) , [78528](#) Micro SAS Plugs

Wire Size AWG N/A

Electrical

Current - Maximum per Contact 1.5A
Voltage - Maximum 30V

Solder Process Data

Duration at Max. Process Temperature (seconds) 10
Lead-free Process Capability Reflow Capable (SMT only)
Max. Cycles at Max. Process Temperature 1
Process Temperature max. C 260

Material Info

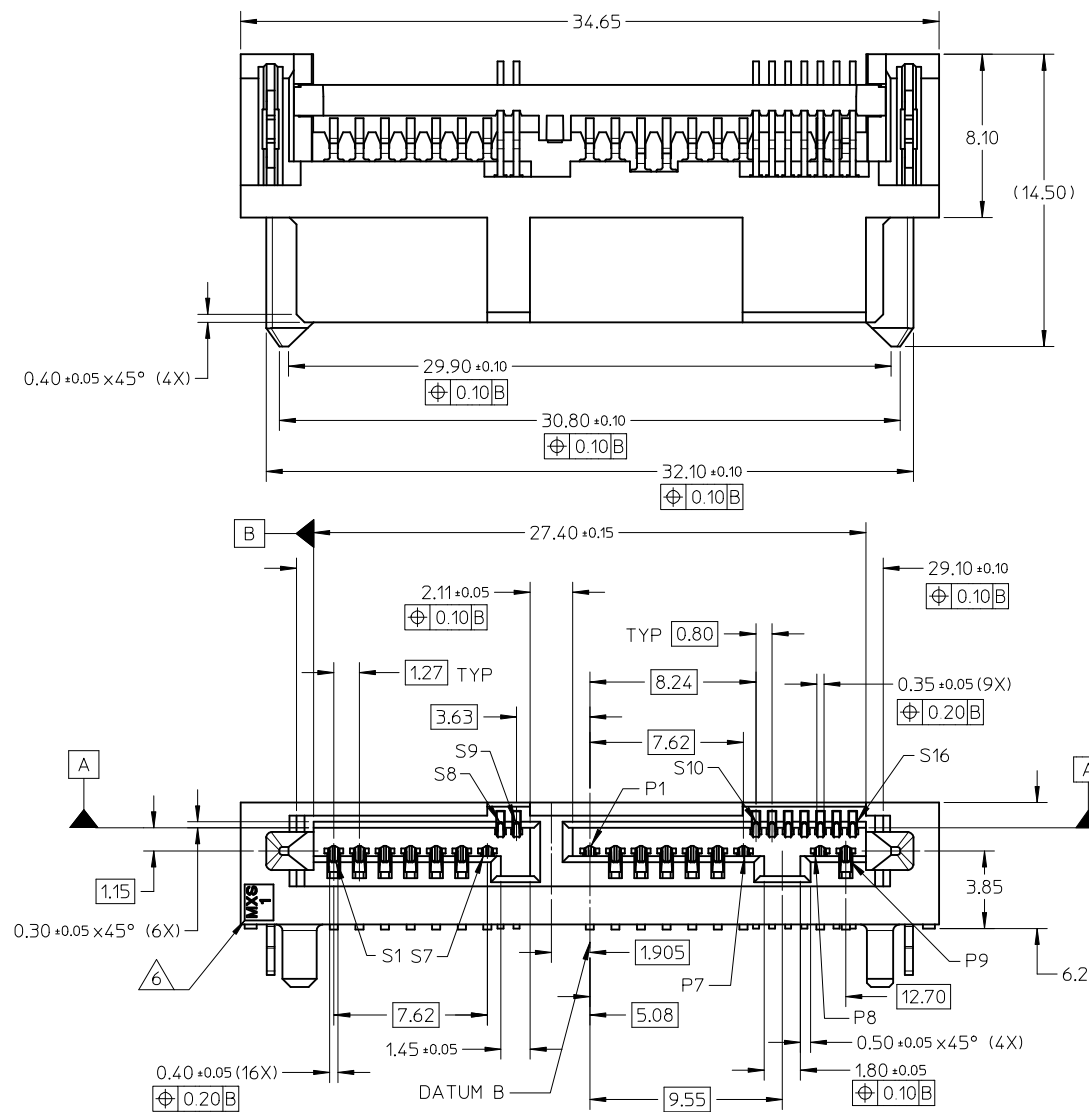
Reference - Drawing Numbers

Product Specification PS-78395-001
Sales Drawing SD-78395-001

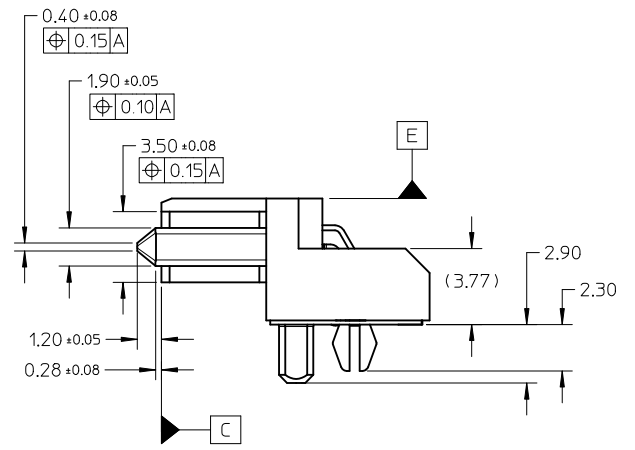
This document was generated on 05/17/2010

PLEASE CHECK WWW.MOLEX.COM FOR LATEST PART INFORMATION

10 9 8 7 6 5 4 3 2 1

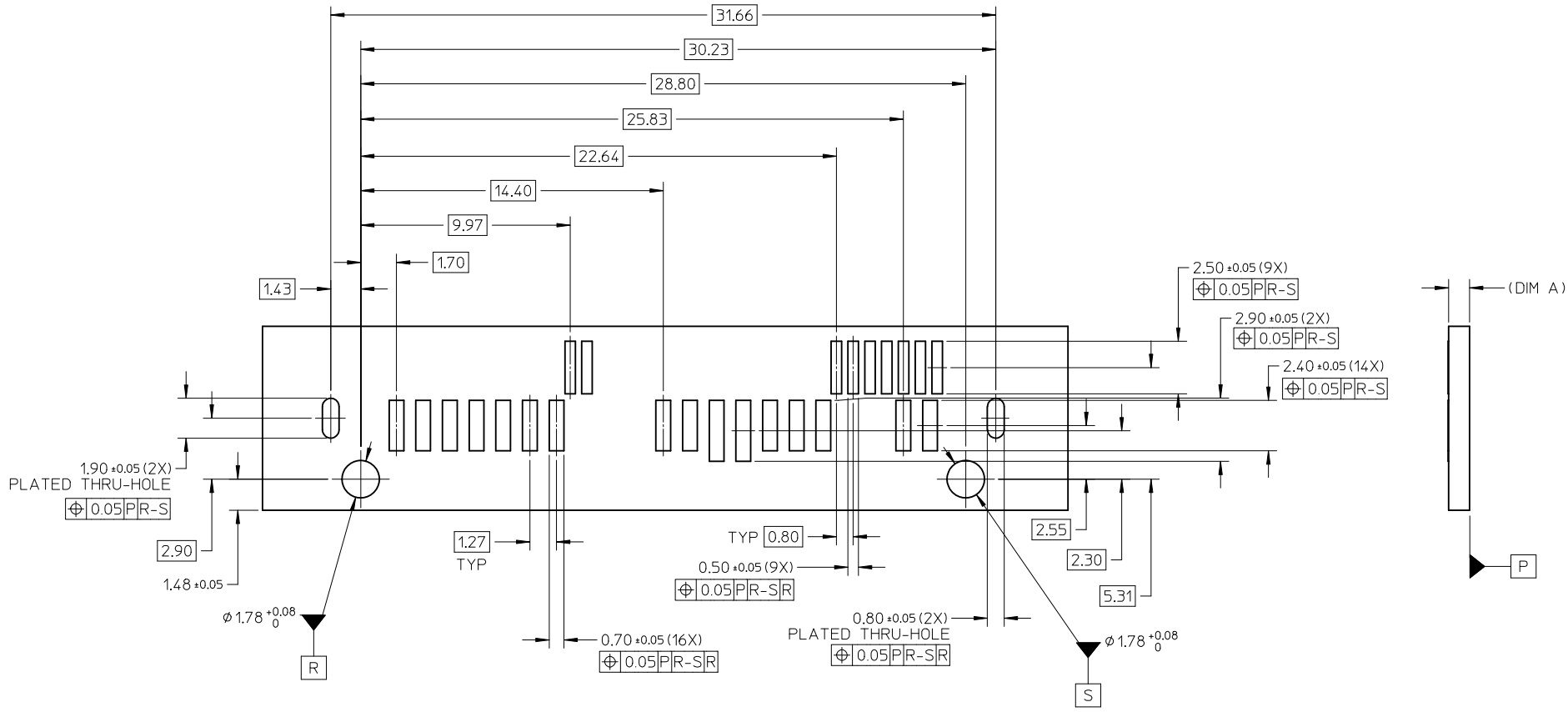


- NOTES:
- MATERIAL : LCP, GLASS FILLED, UL 94V-0, BLACK
TERMINAL/FORKLOCK : COPPER ALLOY
 - FINISHES :
TERMINAL : 0.76µm MIN. SELECTIVE GOLD OVER
1.27µm MIN. NICKEL UNDERPLATE
: 2.54µm MIN. TIN OVER
1.27µm MIN. NICKEL UNDERPLATE
FORKLOCK : 2.54µm MIN. TIN OVER
1.27µm MIN. NICKEL UNDERPLATE
 - PRODUCT SPECIFICATION PS-78395-001
 - PACKAGING SPECIFICATION : TRAY
 - MATES WITH : MOLEX MICRO SAS PLUG
 - MOLEX LOGO LOCATED APPROXIMATELY AS SHOWN
 - THIS PRODUCT IS COMPLIANT TO RoHS DIRECTIVE WITH THE FOLLOWING BANNED SUBSTANCES - LEAD, MERCURY, CADMIUM, HEXAVALENT CHROMIUM, POLYBROMINATED BIPHENYLS AND POLYBROMINATED DIPHENYLS ETHERS.
 - NON FUNCTIONAL CORING MAY VARY.



REVISED BASEPLATE EC NO: S2010-0600 DRAWN: GEMARLY 2010/01/14 CHKD: SCHEONG 2010/03/31 APPR: BOKKOK 2010/04/01	DESCRIPTION	QUALITY SYMBOLS	GENERAL TOLERANCES (UNLESS SPECIFIED)		DIMENSION STYLE	SCALE	DESIGN UNITS	THIRD ANGLE PROJECTION		
		$F_A=0$	mm	INCH	MM ONLY	NTS	METRIC			
		$F_C=0$	4 PLACES ± --- ± ---	YKOH	DATE	TITLE	MICRO SAS RECEPTACLE R/A, SMT, 3.85MM HEIGHT 1.8 INCH SSD/HDD			
		$F_B=0$	3 PLACES ± --- ± ---	CHECKED BY	DATE	MOLEX INCORPORATED				
		2 PLACES ± 0.20 ± ---	JTAN02	2008/06/11	MATERIAL NO. SEE TABLE DOCUMENT NO. SD-78395-001 SHEET NO. 1 OF 4					
		1 PLACE ± --- ± ---	APPROVED BY	DATE	THIS DRAWING CONTAINS INFORMATION THAT IS PROPRIETARY TO MOLEX INCORPORATED AND SHOULD NOT BE USED WITHOUT WRITTEN PERMISSION					
		ANGULAR ± 3 °	BOKKOK	2010/03/31						
			DRAFT WHERE APPLICABLE MUST REMAIN WITHIN DIMENSIONS							
A7	REV				SIZE					
					A3					

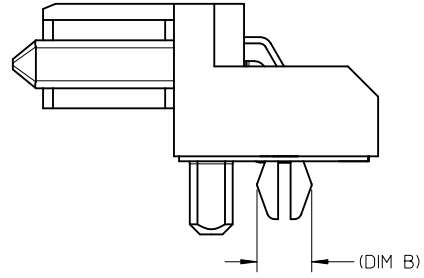
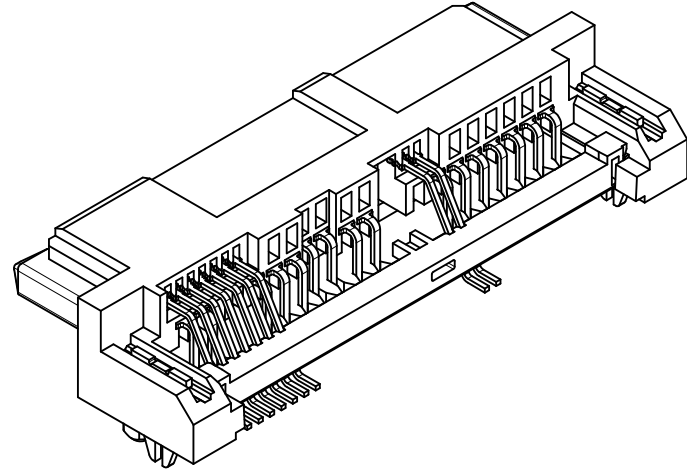
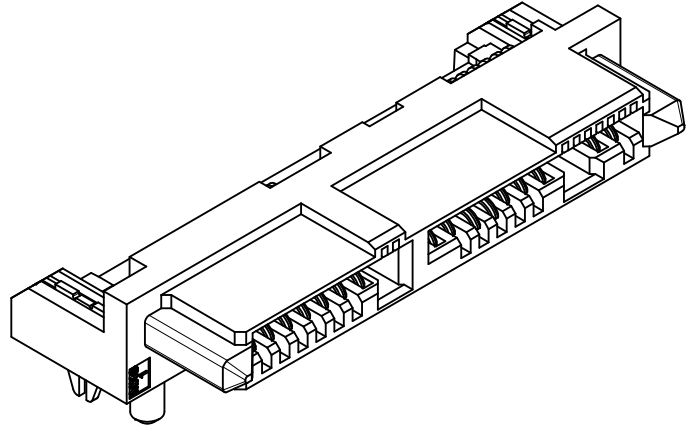
9 8 7 6 5 4 3 2 1



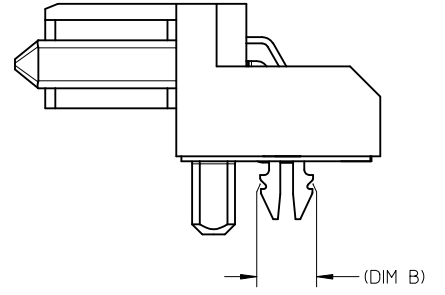
RECOMMENDED PCB LAYOUT

REVISED BASEPLATE EC NO: S2010-0600 DRW: GEMENARLY 2010/01/14 CHK: D. SCHEONG 2010/03/31 APPR: BOKKOK 2010/04/01	QUALITY SYMBOLS $F_A=0$ $F_C=0$ $F_P=0$	GENERAL TOLERANCES (UNLESS SPECIFIED) mm INCH 4 PLACES ± --- ± --- 3 PLACES ± --- ± --- 2 PLACES ± 0.20 ± --- 1 PLACE ± --- ± --- ANGULAR ± 3 °	DIMENSION STYLE MM ONLY DRAWN BY: YKOH DATE: 2008/05/20 CHECKED BY: JTAN02 DATE: 2008/06/11 APPROVED BY: BOKKOK DATE: 2010/03/31	SCALE: NTS DESIGN UNITS: METRIC THIRD ANGLE PROJECTION	TITLE: MICRO SAS RECEPTACLE R/A, SMT, 3.85MM HEIGHT 1.8 INCH SSD/HDD MOLEX INCORPORATED DOCUMENT NO. SD-78395-001 SHEET NO. 3 OF 4	
	DRAFT WHERE APPLICABLE MUST REMAIN WITHIN DIMENSIONS	SIZE: A3 THIS DRAWING CONTAINS INFORMATION THAT IS PROPRIETARY TO MOLEX INCORPORATED AND SHOULD NOT BE USED WITHOUT WRITTEN PERMISSION				
	REV: A7					

5	4	3	2	1
PART NUMBER	HOLDDOWN	DIM A (PCB THICKNESS)		DIM B
78395-0001	FORKLOCK	1.00±0.10		(2.18)
78395-0002	FORKLOCK	1.20±0.12 TO 1.60±0.16 PCB FORKLOCK HOLE MUST BE PLATED THRU-HOLE (PTH) REGARDLESS WHETHER FORKLOCK IS SOLDERED OR NOT		(2.10)



78395-0001



78395-0002

REVISED BASEPLATE EC NO: S2010-0600 DRWNG: MENARLY 2010/01/14 CHKD: SCHEONG 2010/03/31 APPR: BOKKOK 2010/04/01	DESCRIPTION REV	QUALITY SYMBOLS $F_A=0$ $F_C=0$ $F_P=0$	GENERAL TOLERANCES (UNLESS SPECIFIED) <table border="1"> <tr> <td></td> <td>mm</td> <td>INCH</td> </tr> <tr> <td>4 PLACES</td> <td>± ---</td> <td>± ---</td> </tr> <tr> <td>3 PLACES</td> <td>± ---</td> <td>± ---</td> </tr> <tr> <td>2 PLACES</td> <td>± 0.20</td> <td>± ---</td> </tr> <tr> <td>1 PLACE</td> <td>± ---</td> <td>± ---</td> </tr> </table>		mm	INCH	4 PLACES	± ---	± ---	3 PLACES	± ---	± ---	2 PLACES	± 0.20	± ---	1 PLACE	± ---	± ---	DIMENSION STYLE MM ONLY	SCALE NTS	DESIGN UNITS METRIC	THIRD ANGLE PROJECTION
		mm	INCH																			
	4 PLACES	± ---	± ---																			
	3 PLACES	± ---	± ---																			
2 PLACES	± 0.20	± ---																				
1 PLACE	± ---	± ---																				
			DRAWN BY YKOH	DATE 2008/05/20	TITLE MICRO SAS RECEPTACLE R/A, SMT, 3.85MM HEIGHT 1.8 INCH SSD/HDD																	
			CHECKED BY JTAN02	DATE 2008/06/11	MOLEX INCORPORATED																	
			APPROVED BY BOKKOK	DATE 2010/03/31	MATERIAL NO. SEE TABLE	DOCUMENT NO. SD-78395-001	SHEET NO. 4 OF 4															

DRAFT WHERE APPLICABLE
MUST REMAIN
WITHIN DIMENSIONS

THIS DRAWING CONTAINS INFORMATION THAT IS PROPRIETARY TO MOLEX INCORPORATED AND SHOULD NOT BE USED WITHOUT WRITTEN PERMISSION