

PLEASE CHECK WWW.MOLEX.COM FOR LATEST PART INFORMATION

Part Number: [0190090002](#)
Status: **Active**
Description: VibraKrimp™ Quick Disconnect Flag, Female, for 18-22 AWG Wire, Mylar Tape Carrier

Documents:

[Drawing \(PDF\)](#) [RoHS Certificate of Compliance \(PDF\)](#)
[Product Specification PS-19902-005 \(PDF\)](#)

Agency Certification

CSA LR18689
 UL E79133

General

Product Family Quick Disconnects
 Series [19009](#)
 Comments Wire Grip
 Crimp Quality Equipment Yes
 Product Name VibraKrimp™
 Type Quick Disconnect

Physical

Barrel Type Closed
 Gender Female
 Glow-Wire Compliant No
 Insulation None
 Lock to Mating Part None
 Material - Metal Brass
 Orientation Flag
 Packaging Type Adhesive Tape on Reel
 Polarized to Mating Part No
 Tab Thickness 0.81mm (.032")
 Tab Width 6.35mm (.250")
 Temperature Range - Operating Per Wire Specification
 Wire Insulation Diameter 3.43mm (.135")
 Wire Size AWG 18, 20, 22
 Wire Size mm² 0.35 - 0.80

Electrical

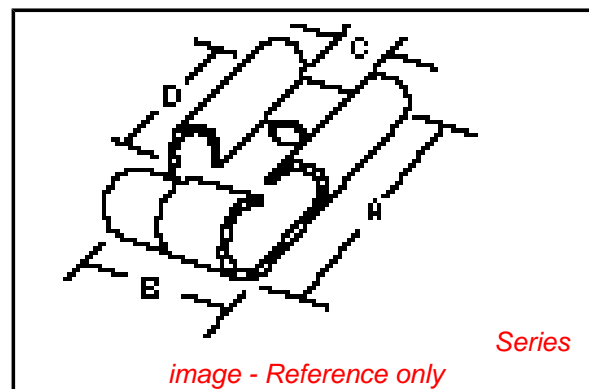
Voltage - Maximum Per Wire Specification

Material Info

Old Part Number AA-4168T

Reference - Drawing Numbers

Product Specification PS-19902-005
 Sales Drawing CDFGS250



EU RoHS

ELV and RoHS Compliant
REACH SVHC Contains SVHC: No
Halogen-Free Status
Not Reviewed

China RoHS



Need more information on product environmental compliance?

Email productcompliance@molex.com
 For a multiple part number RoHS Certificate of Compliance, [click here](#)

Please visit the [Contact Us](#) section for any non-product compliance questions.

Search Parts in this Series

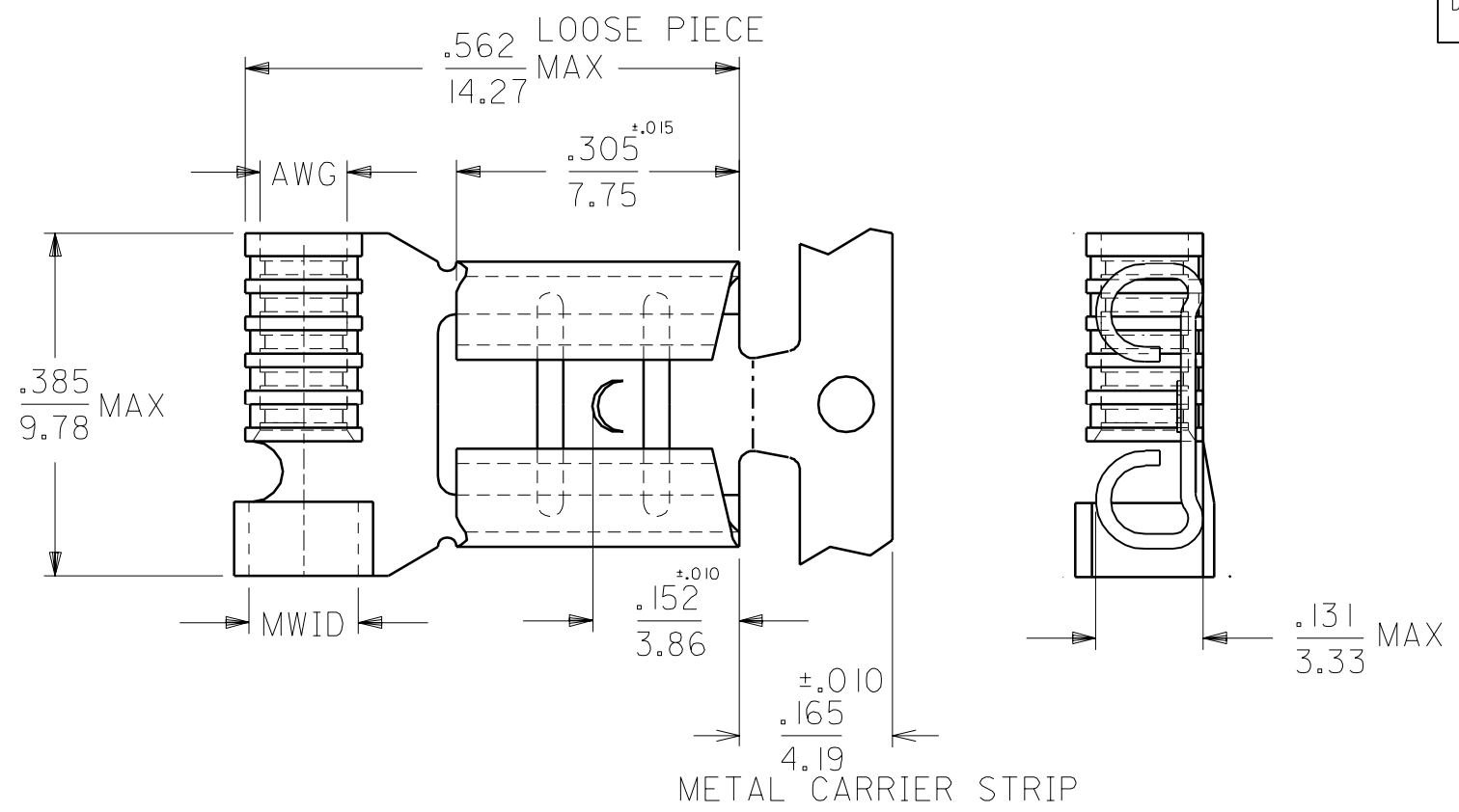
[19009Series](#)

Application Tooling | [FAQ](#)

Tooling specifications and manuals are found by selecting the products below. Crimp Height Specifications are then contained in the Application Tooling Specification document.

Global

Description	Product #
Crimp Dies for the ATP-301 Air Crimping Press for Mylar Tape Mounted Terminals	0190270049



METAL STRIP PART NO.	LOOSE PIECE PART NO.	AWG	MWID	PLATING
AAZ-4168	AA-4168	22-18	.135/3.43	TIN
BBZ-4169	BB-4169	16-14	.145/3.68	TIN
NA	AA-4168-N	22-18	.135/3.43	NICKEL
NA	BB-4169-N	16-14	.145/3.68	NICKEL

A	ADD NICKLE PLATED PARTS TO CHART ET80171 04/24 JH
LTR.	REVISIONS

MATERIAL: .016 THICK BRASS

NOTES:
1. ALL DIMENSIONS = INCHES/MM

DIMENSIONS SHOWN (METRIC) INCH	
UNLESS OTHERWISE SPECIFIED TOLERANCES: ANGULAR ± 1/2°	
	INCH METRIC
3 PLACE	± .005 ± ---
2 PLACE	± .01 ± 0.13
1 PLACE	± --- ± 0.25
DRAFT WHERE APPLICABLE MUST REMAIN WITHIN DIMENSIONS	
DRWG. BY RCM	CHK'D. BY JM
APP'D. BY FP	SCALE 5: 1

REVISE ONLY ON CAD SYSTEM			
TITLE NON-INSULATED FLAG WITH INSULATION SUPPORT .250 X .032 TAB			
molex ETC INC. PINELLAS PARK, FLA. 33781 U.S.A.		SHEET NO.	DATE 11/07/91
PART NO.		DRWG. NO. CUST. DRWG.	
FILE NAME CDFGS250 DGN	THIS DRAWING CONTAINS INFORMATION THAT IS PROPRIETARY TO MOLEX-ETC INC. AND SHOULD NOT BE USED WITHOUT WRITTEN PERMISSION.		DIV. SIZE A