

PLEASE CHECK WWW.MOLEX.COM FOR LATEST PART INFORMATION

Part Number: [0981990001](#)
Status: **Active**
Overview: [mox crimp terminals](#)
Description: 2.54mm (.100") Pitch, MOX Receptacle Housing, FFC, 6 Circuits, Natural

Documents:

[Drawing \(PDF\)](#) [RoHS Certificate of Compliance \(PDF\)](#)

General

Product Family	Crimp Housings
Series	98199
Comments	FFC Pull-Out Force: 100 N (22.5 lb) min.
Overview	mox crimp terminals
Product Name	MOX

Physical

Circuits (maximum)	6
Color - Resin	Natural
Gender	Female
Glow-Wire Compliant	No
Lock to Mating Part	Yes
Material - Resin	Polyester
Number of Rows	1
Packaging Type	Bag
Panel Mount	No
Pitch - Mating Interface (in)	0.100 In
Pitch - Mating Interface (mm)	2.54 mm
Polarized to Mating Part	Yes
Stackable	No
Temperature Range - Operating	-40°C to +85°C

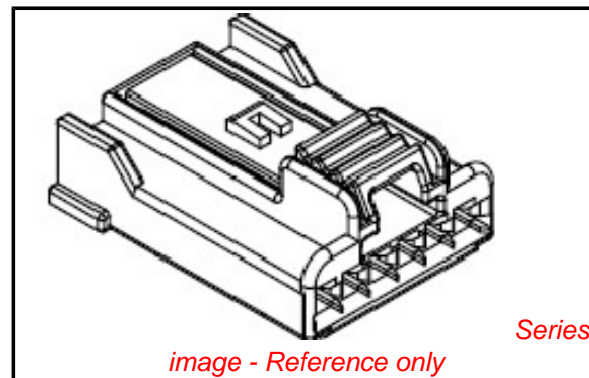
Electrical

Current - Maximum per Contact	6A
-------------------------------	----

Material Info

Reference - Drawing Numbers

Application Specification	AS-98199-001
Packaging Specification	PP-98199-001
Sales Drawing	SD-98199-004



EU RoHS

ELV and RoHS Compliant
REACH SVHC Contains SVHC: No
Halogen-Free Status
Not Reviewed

China RoHS



Need more information on product environmental compliance?

Email productcompliance@molex.com
 For a multiple part number RoHS Certificate of Compliance, [click here](#)

Please visit the [Contact Us](#) section for any non-product compliance questions.

Search Parts in this Series

[98199Series](#)

Mates With

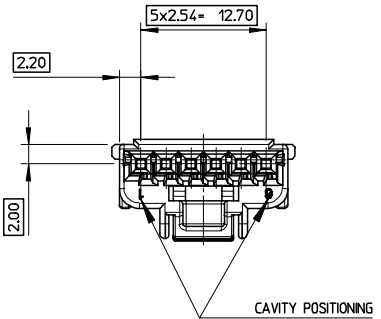
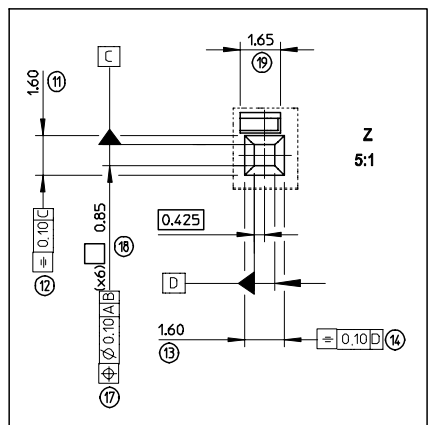
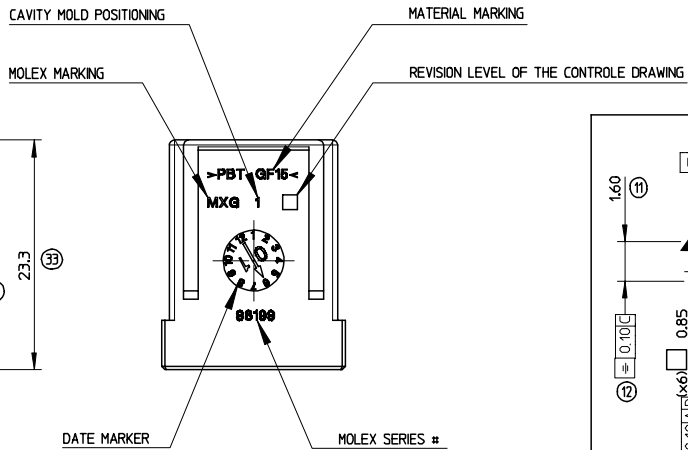
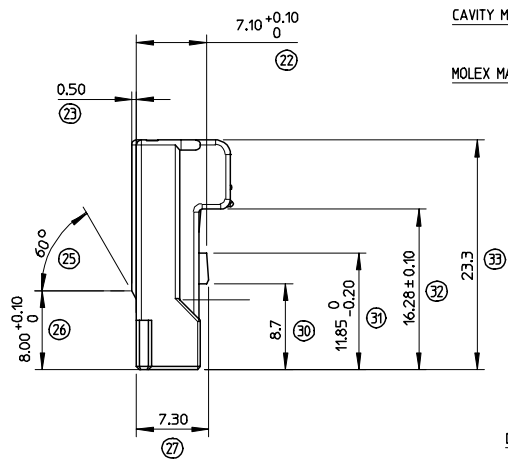
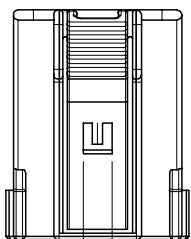
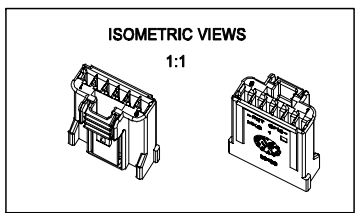
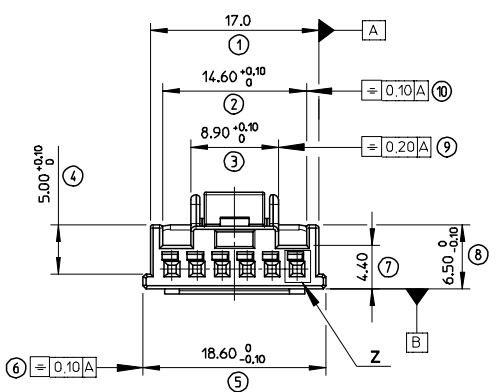
[Tyco Interface](#)

Use With

[98194 MOX FFC Terminal](#)

10 9 8 7 6 5 4 3 2 1

F E D C B A



NOTES:
 -Application Specification: AS-98199-001
 -Material: >PBT-GF15<
 -Terminals used: 98194

First Release EC NO: G2006-0578 DRWN:GDESBRUERES 2006/06/02 CHKD:PGRANDCL 2006/06/02 APPR:LSTICKEIR 2006/06/06	GENERAL TOLERANCES (UNLESS SPECIFIED)	DIMENSION STYLE MM ONLY	SCALE 2:1	DESIGN UNITS METRIC	FIRST ANGLE PROJECTION													
	<table border="1"> <thead> <tr> <th></th> <th>mm</th> <th>INCH</th> </tr> </thead> <tbody> <tr> <td>4 PLACES</td> <td>± ---</td> <td>± ---</td> </tr> <tr> <td>3 PLACES</td> <td>± ---</td> <td>± ---</td> </tr> <tr> <td>2 PLACES</td> <td>± 0.05</td> <td>± ---</td> </tr> <tr> <td>1 PLACE</td> <td>± 0.1</td> <td>± ---</td> </tr> </tbody> </table>		mm	INCH	4 PLACES	± ---	± ---	3 PLACES	± ---	± ---	2 PLACES	± 0.05	± ---	1 PLACE	± 0.1	± ---	DRAWN BY DATE G. DESBRUERES 2006/05/12	TITLE CONNECTOR 6CKT FEMALE HOUSING SALES DRAWING
		mm	INCH															
	4 PLACES	± ---	± ---															
3 PLACES	± ---	± ---																
2 PLACES	± 0.05	± ---																
1 PLACE	± 0.1	± ---																
DRAFT WHERE APPLICABLE MUST REMAIN WITHIN DIMENSIONS	CHECKED BY DATE P. GRANDCL 2006/05/12	APPROVED BY DATE L. STICKEIR 2006/05/12	MOLEX INCORPORATED															
REV DESCRIPTION	MATERIAL NO. 0981990001	DOCUMENT NO. SD-98199-004	SHEET NO. 1 OF 1															

9 8 7 6 5 4 3 2 1