

PLEASE CHECK WWW.MOLEX.COM FOR LATEST PART INFORMATION

Part Number: [5008052272](#)
Status: **Active**
Overview: [ffc fpc smt](#)
Description: 0.50mm (.020") Pitch FFC/FPC Connector, Right Angle, SMT, ZIF, Top Contact Style, Gold Contact Plating, 22 Circuits

Documents:

[3D Model](#) [Product Specification PS-500805-001 \(PDF\)](#)
[Drawing \(PDF\)](#) [RoHS Certificate of Compliance \(PDF\)](#)

General

Product Family FFC/FPC Connectors
 Series [500805](#)
 Overview [ffc fpc smt](#)
 Product Name N/A

Physical

Circuits (Loaded) 26
 Circuits (maximum) 26
 Color - Resin Black, Natural
 Contact Position Top
 Durability (mating cycles max) 20
 Entry Angle 90° Angle
 Mated Height (in) 0.079 In
 Mated Height (mm) 2.00 mm
 Material - Metal Phosphor Bronze
 Material - Plating Mating Gold
 Material - Plating Termination Gold
 Material - Resin High Temperature Thermoplastic
 Number of Rows 1
 Orientation Right Angle
 PC Tail Length (in) 0.000 In
 PC Tail Length (mm) 0.00 mm
 PCB Locator No
 PCB Retention Yes
 PCB Thickness Recommended (in) 0.000 In
 PCB Thickness Recommended (mm) 0.00 mm
 Packaging Type Embossed Tape on Reel
 Pitch - Mating Interface (in) 0.020 In
 Pitch - Mating Interface (mm) 0.50 mm
 Pitch - Term. Interface (in) 0.020 In
 Pitch - Term. Interface (mm) 0.50 mm
 Plating min: Mating (µin) 4
 Plating min: Mating (µm) 0.1
 Plating min: Termination (µin) 2
 Plating min: Termination (µm) 0.05
 Polarized to PCB No
 Stackable No
 Surface Mount Compatible (SMC) No
 Temperature Range - Operating -20°C to +85°C
 Termination Interface: Style Surface Mount
 Wire/Cable Type FFC/FPC

Electrical

Current - Maximum per Contact 0.5A
 Voltage - Maximum 50V AC (RMS)/DC

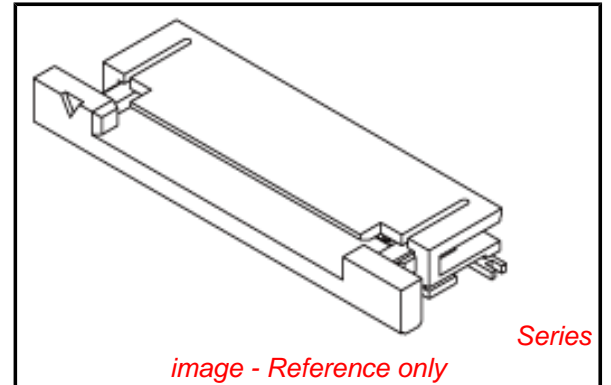


image - Reference only

EU RoHS

**ELV and RoHS
 Compliant**
REACH SVHC
 Not Reviewed
**Halogen-Free
 Status**

China RoHS



**Need more information on product
 environmental compliance?**

Email productcompliance@molex.com
 For a multiple part number RoHS Certificate of Compliance, [click here](#)

Please visit the [Contact Us](#) section for any non-product compliance questions.

Search Parts in this Series
[500805Series](#)

Material Info

Reference - Drawing Numbers

Product Specification

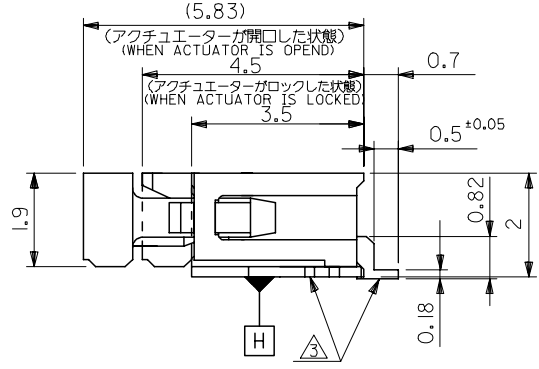
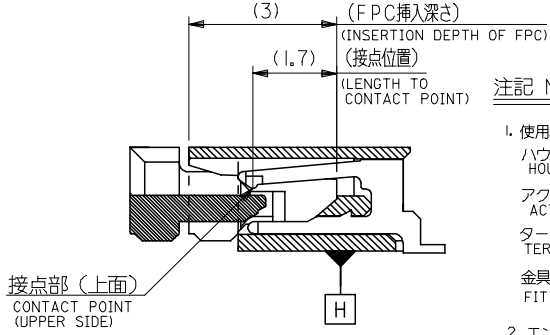
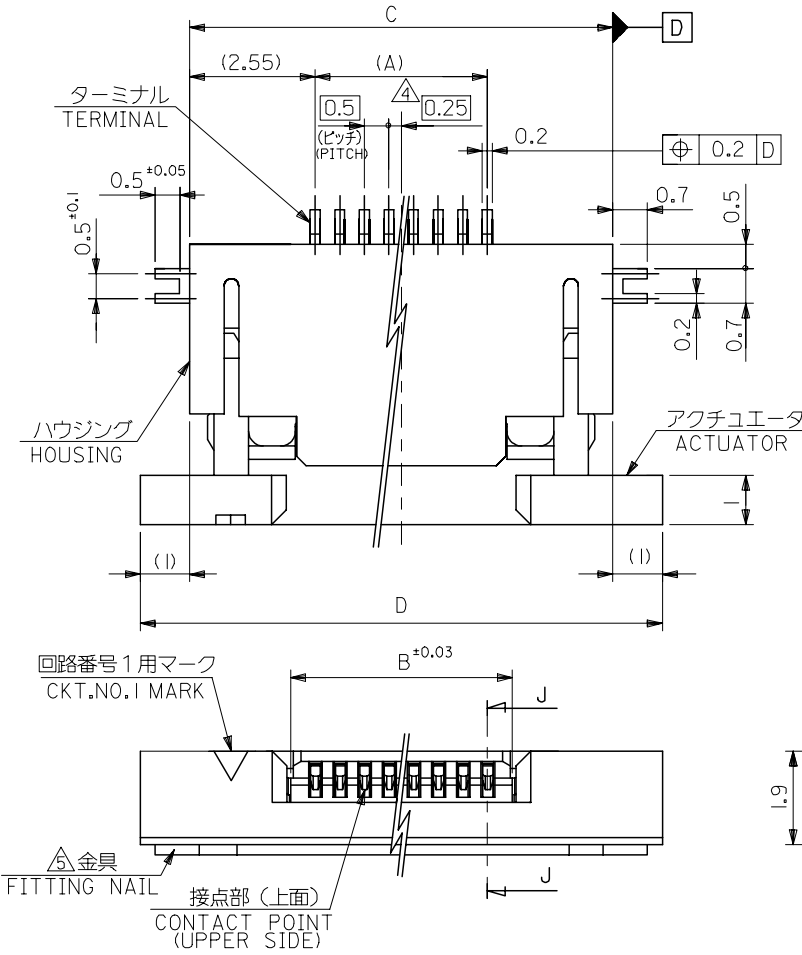
Sales Drawing

PS-500805-001, RPS-500805-003

SD-500805-001, SD-500805-002

This document was generated on 06/07/2010

PLEASE CHECK WWW.MOLEX.COM FOR LATEST PART INFORMATION

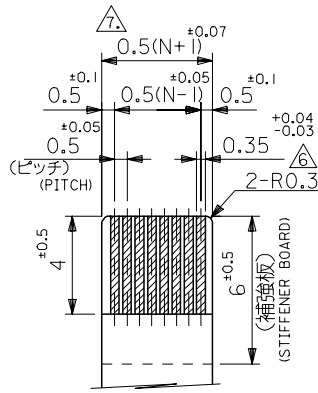


注記 NOTES

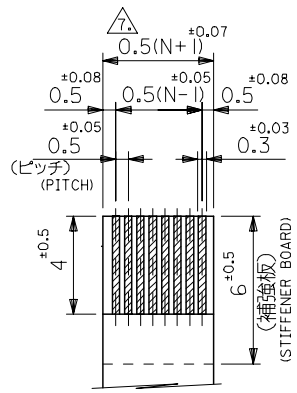
1. 使用材料 : MATERIAL
 ハウジング : 46ナイロン, UL94V-0
 HOUSING : 46NYLON
 アクチュエータ : PPS, UL94V-0
 ACTUATOR : PPS
 ターミナル : リン青銅, 全メッキ (t=0.2)
 TERMINAL : PHOS-BRO, GOLD PLATED
 金具 : リン青銅, 錫メッキ (t=0.2)
 FITTING NAIL : PHOS-BRO, TIN PLATED
2. エンボステープ梱包時は、アクチュエータがロックした状態とする。
 IN THE PACKAGE, ACTUATOR OF PART NO.500805-***28 SHOULD BE LOCKED.
3. ソルダータール半田付け面のズレ量、及び金具半田付け面のズレ量は、基準面 H に対し上方向 0.1 MAX. , 下方向 0.15MAX. とする。
 MISALIGNMENT OF SOLDER TAILS AND FITTING NAILS FROM H UPPER DIRECTION: 0.1 MAX. , LOWER DIRECTION: 0.15MAX.
4. 偶数極に適用。
 APPLY FOR EVEN CIRCUIT.
5. パターンはくり止め用金具。
 FITTING NAIL FOR PREVENTION OF PEELING OF P.C.B. PATTERN.
6. R.O. 3は、FPCの導体部にかからないこと。
 R.O.3 MUST NOT BE OVERLAPPED TO PATTERN OF FPC.
7. ケーブル幅寸法がケーブル保持寸法より大きい場合でも、アクチュエーターを挿入すると、ケーブルの両サイドがたわむことにより、嵌合は可能です。
 THIS PRODUCT CAN BE MATED BY THE FLEXURE OF BOTH CABLE SIDES WHEN INSERTING THE ACTUATOR, EVEN IF THE WIDTH OF CABLE IS MORE LARGER THAN THE PRESERVATION WIDTH.
8. 本製品は 500805 シリーズの金メッキ品である。
 THIS PRODUCT IS GOLD PLATING OF 500805 SERIES.

500805-***28 MODEL NO.

RELEASED EC NO: J2007-1100 DRWN: MABE1 2006/10/17 CHKD: KTOYODA 2006/10/19 APPR: NUKITA 2007/03/15	GENERAL TOLERANCES (UNLESS SPECIFIED)		DIMENSION STYLE MM ONLY		SCALE 10:1	DESIGN UNITS METRIC	THIRD ANGLE PROJECTION	
	10 UNDER	±0.2	DRAWN BY M. NABE1	DATE '06/10/13	TITLE 0.5 FPC CONN ZIF FOR SMT R/A (UPPER CONTACT) -LEAD FREE- MOLEX MOLEX INCORPORATED			
	10 OVER 30 UNDER	±0.25	CHECKED BY K. TOYODA	DATE '06/10/13				
	30 OVER	±0.3	APPROVED BY N. UKITA	DATE '06/10/13				
	ANGULAR ±3 °		MATERIAL NO. SEE CHART		DOCUMENT NO. SD-500805-001		SHEET NO. 1 OF 2	
DRAFT WHERE APPLICABLE MUST REMAIN WITHIN DIMENSIONS		SIZE A3		THIS DRAWING CONTAINS INFORMATION THAT IS PROPRIETARY TO MOLEX INCORPORATED AND SHOULD NOT BE USED WITHOUT WRITTEN PERMISSION				



適合FPC推奨寸法
 APPLICABLE FPC
 RECOMMENDED DIMENSION.
 (仕上がり厚さ: 0.3 ± 0.05)
 (THICKNESS: 0.3 ± 0.05)

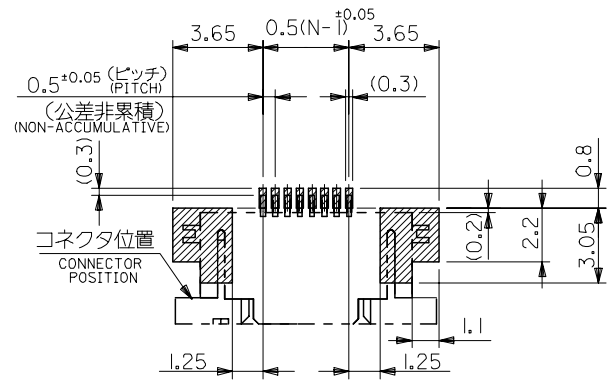


適合FFC推奨寸法
 APPLICABLE FFC
 RECOMMENDED DIMENSION.
 (仕上がり厚さ: 0.3 ± 0.05)
 (THICKNESS: 0.3 ± 0.05)

FPCについて:
 打抜き方向は、導体側から補強板側を推奨いたします。
 補強フィルム材質は、ポリイミドを推奨いたします。
 接着剤は、熱硬化接着剤を推奨いたします。

ABOUT FPC:
 RECOMMENDED PUNCHER DIRECTION: FROM CONDUCTOR SIDE TO STIFFENER BOARD SIDE.

RECOMMENDED MATERIAL:
 STIFFENER FILM: POLYIMIDE
 BONDING AGENT: THERMOSETTING BONDING AGENT





参考基板レイアウト
 (マウント面)
 RECOMMENDED P.C. BOARD
 PATTERN DIMENSION (REF.)
 (MOUNTING SIDE)

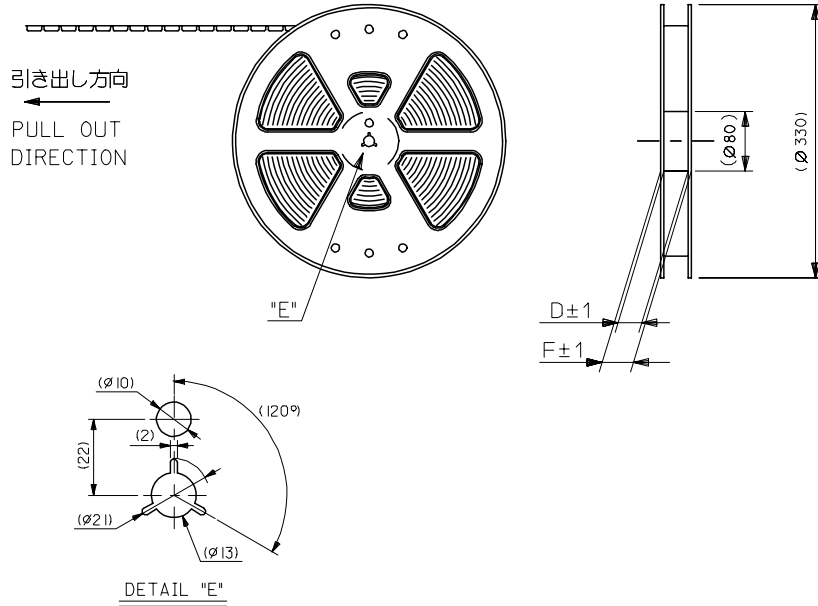
19.6	17.6	13.47	12.5	500805-2628	26
17.6	15.6	11.47	10.5	500805-2228	22

500805-**28	MODEL NO.	D	C	B	(A)	MATERIAL NO.	極致 PCT
-------------	-----------	---	---	---	-----	--------------	--------

RELEASED EC NO: J2007-1100 DRWN: NABE1 2006/10/17 CHKD: KTOYODA 2006/10/19 APPR: NUKITA 2007/03/15	GENERAL TOLERANCES (UNLESS SPECIFIED)		DIMENSION STYLE MM ONLY		SCALE 10:1	DESIGN UNITS METRIC	THIRD ANGLE PROJECTION
	10 UNDER	± 0.2	DRAWN BY M. NABE1	DATE '06/10/13	TITLE 0.5 FPC CONN ZIF FOR SMT R/A (UPPER CONTACT) -LEAD FREE- MOLEX INCORPORATED		
	10 OVER 30 UNDER	± 0.25	CHECKED BY K. TOYODA	DATE '06/10/13			
	30 OVER	± 0.3	APPROVED BY N. UKITA	DATE '06/10/13			
	ANGULAR	$\pm 3^\circ$	MATERIAL NO. SEE CHART		DOCUMENT NO. SD-500805-001	SHEET NO. 2 OF 2	
DRAFT WHERE APPLICABLE MUST REMAIN WITHIN DIMENSIONS		SIZE A3	THIS DRAWING CONTAINS INFORMATION THAT IS PROPRIETARY TO MOLEX INCORPORATED AND SHOULD NOT BE USED WITHOUT WRITTEN PERMISSION				

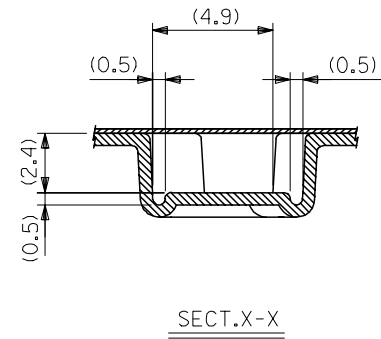
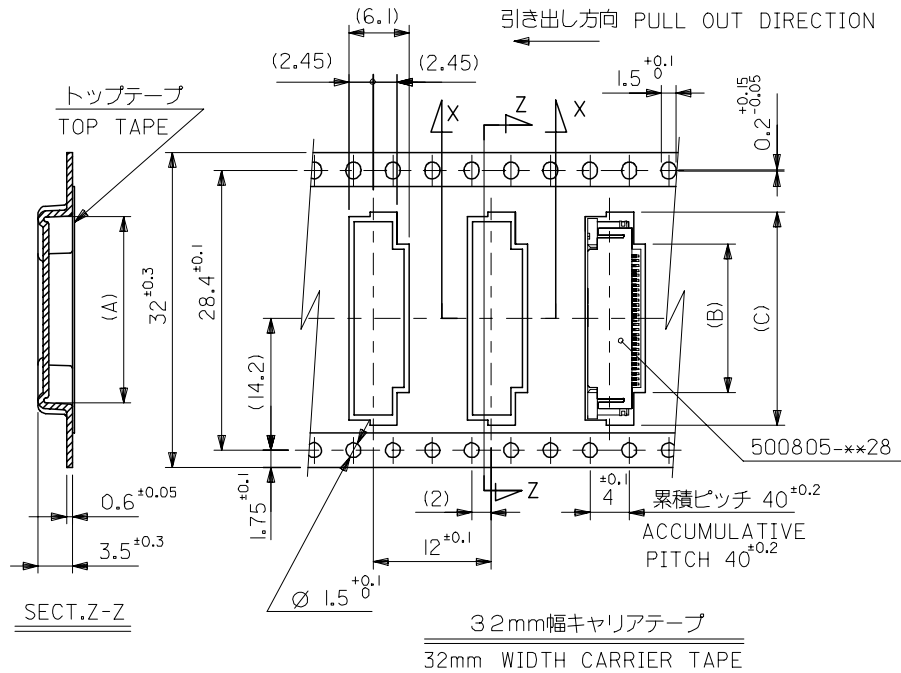
注記 NOTES

- 製品番号 500805-**28 の梱包状態はアクチュエータがロックした状態とする。
 詳細寸法については図面 SD-500805-001 を参照下さい。
 IN THE PACKAGE,ACTUATOR OF PART NO.500805-**28 SHOULD BE LOCKED.
 SEE SD-500805-001 ABOUT DETAILED DIMENSIONS.
- 梱包数量：1000個/リール
 NUMBER OF CONNECTORS:1000PCS/REEL
- リードテープ長さ LEAD TAPE LENGTH


- 材料 (MATERIAL)
 キャリアテープ (CARRIER TAPE) : ポリプロピレン (POLYPROPYLENE)
 トップテープ (TOPTAPE) : PET, PE, PEF
 リール (REEL) : ポリスチレン (PS) <リサイクル材を含む>
 POLYSTYRENE (PS) <RECYCLE MATERIAL CONTAINED>
- 本製品は 500805 シリーズの金メッキ品である。
 THIS PRODUCT IS GOLD PLATING OF 500805 SERIES.



500805-**72 MODEL NO.

RELEASED EC NO: J2007-1100 DRWN:MABEI 2006/10/17 CHKDK:TOYODA 2006/10/19 APPR:NUKITA 2007/03/15	GENERAL TOLERANCES (UNLESS SPECIFIED)		DIMENSION STYLE MM ONLY		SCALE 10:1	DESIGN UNITS METRIC	THIRD ANGLE PROJECTION	
	10 UNDER	±0.2	DRAWN BY M.NABEI	DATE '06/10/16	TITLE 0.5 FPC CONN ZIF SMT R/A WITH TAPE EMBSTP PKG -LEAD FREE-			
	10 OVER 30 UNDER	±0.25	CHECKED BY K.TOYODA	DATE '06/10/16				
	30 OVER	±0.3	APPROVED BY N.UKITA	DATE '06/10/16				
	ANGULAR ±3 °		MATERIAL NO. SEE CAHRT		DOCUMENT NO. SD-500805-002		SHEET NO. 1 OF 2	
DRAFT WHERE APPLICABLE MUST REMAIN WITHIN DIMENSIONS		THIS DRAWING CONTAINS INFORMATION THAT IS PROPRIETARY TO MOLEX INCORPORATED AND SHOULD NOT BE USED WITHOUT WRITTEN PERMISSION						



32	37.4	33.4	20.9	14.3	19.9	500805-2672	26
			18.9	12.3	17.9	500805-2272	22

500805-**72 MODEL NO. キャリアテープ幅
CARRIER TAPE WIDTH F D (C) (B) (A) MATERIAL NO. 極数
CIRCUIT

RELEASED EC NO: J2007-1100 DRWN: M.NABEI 2006/10/17 CHKD: K.TOYODA 2006/10/19 APPR: N.UKITA 2007/03/15	GENERAL TOLERANCES (UNLESS SPECIFIED)		DIMENSION STYLE MM ONLY		SCALE 10:1	DESIGN UNITS METRIC	THIRD ANGLE PROJECTION		
	10 UNDER	±0.2	DRAWN BY M.NABEI		DATE '06/10/16		TITLE 0.5 FPC CONN ZIF SMT R/A WITH TAPE EMBSTP PKG -LEAD FREE- MOLEX INCORPORATED		
	10 OVER 30 UNDER	±0.25	CHECKED BY K.TOYODA		DATE '06/10/16				
	30 OVER	±0.3	APPROVED BY N.UKITA		DATE '06/10/16				
	ANGULAR ±3 °		MATERIAL NO. SEE CHART		DOCUMENT NO. SD-500805-002		SHEET NO. 2 OF 2		
DRAFT WHERE APPLICABLE MUST REMAIN WITHIN DIMENSIONS		SIZE A3		THIS DRAWING CONTAINS INFORMATION THAT IS PROPRIETARY TO MOLEX INCORPORATED AND SHOULD NOT BE USED WITHOUT WRITTEN PERMISSION					