

**PLEASE CHECK WWW.MOLEX.COM FOR LATEST PART INFORMATION**

**Part Number:** [0194180020](#)  
**Status:** **Active**  
**Overview:** [mx150l sealed connector system](#)  
**Description:** MX150L™ 6 Circuit Receptacle for 18-22 AWG Wire, without CPA

**Documents:**

[3D Model](#)  
[Drawing \(PDF\)](#)  
[Packaging Specification \(PDF\)](#)  
[Product Specification PS-19417-001 \(PDF\)](#)  
[RoHS Certificate of Compliance \(PDF\)](#)

**Agency Certification**

CSA LR18689  
 UL E152602

**General**

Product Family Crimp Housings  
 Series [19418](#)  
 MolexKits Yes  
 Overview [mx150l sealed connector system](#)  
 Product Literature Order No 987650-2181  
 Product Name MX150L™

**Physical**

Circuits (maximum) 6  
 Flammability 94V-0  
 Gender Female  
 Glow-Wire Compliant No  
 Lock to Mating Part Yes  
 Number of Rows 2  
 Packaging Type Bag  
 Panel Mount No  
 Pitch - Mating Interface (in) 0.230 In  
 Pitch - Mating Interface (mm) 5.84 mm  
 Polarized to Mating Part Yes  
 Stackable No  
 Temperature Range - Operating -40°C to +125°C

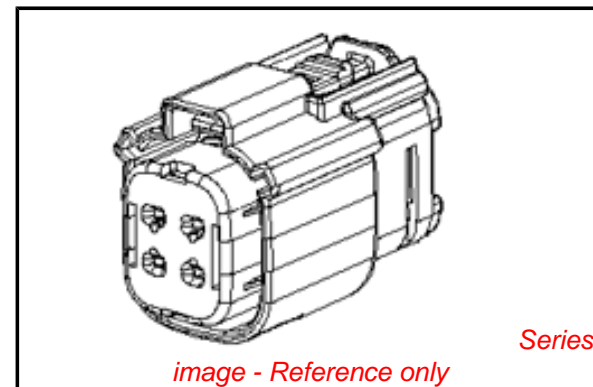
**Electrical**

Current - Maximum per Contact 18A

**Material Info**

**Reference - Drawing Numbers**

Application Specification AS-19417-001  
 Packaging Specification PK-19418-001  
 Product Specification PS-19417-001  
 Sales Drawing SD-19418-004



*image - Reference only*

**EU RoHS**

**ELV and RoHS Compliant**  
**REACH SVHC**  
 Not Reviewed  
**Halogen-Free Status**  
**Not Reviewed**

**China RoHS**



**Need more information on product environmental compliance?**

Email [productcompliance@molex.com](mailto:productcompliance@molex.com)  
 For a multiple part number RoHS Certificate of Compliance, [click here](#)

Please visit the [Contact Us](#) section for any non-product compliance questions.

**Search Parts in this Series**

[19418Series](#)

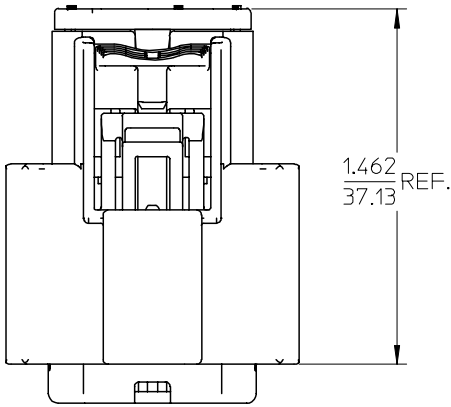
**Mates With**

19419 , 19429

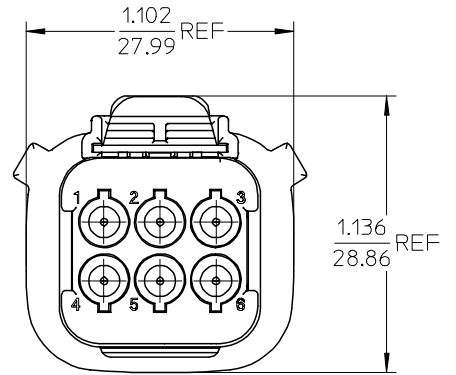
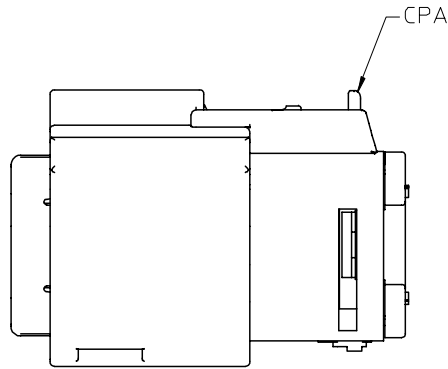
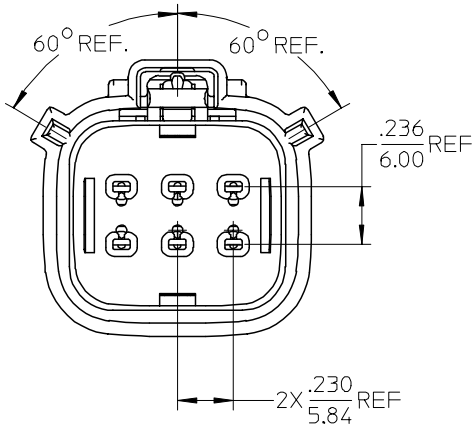
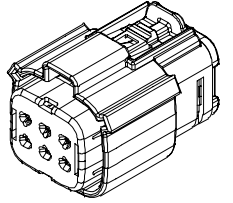
**Use With**

[19420](#) Female Crimp Terminal

10 9 8 7 6 5 4 3 2 1



194180021	16-14	NO
194180020	22-18	
194180010	16-14	YES
194180011	22-18	
MATERIAL NUMBER	UL WIRE AWG	CPA



NOTES:

1. MATERIALS:  
HOUSING: POLYESTER (PBT), GLASS FILLED, UL94 V-0,  
COLOR: BLACK.  
SEALS: SILICONE RUBBER.
2. PRODUCT SPECIFICATION: PS-19417-001.
3. PACKAGING SPECIFICATION: PK-19418-001.
4. MATES WITH: 19419 SERIES PLUG ASSEMBLIES.
5. USE CONNECTOR WITH FEMALE CRIMP TERMINAL SERIES 19420.

REVISED EC NO: ETC2006-0122 DRWN: JPWLICK 2005/12/05 CHKD: JPWLICK 2005/12/06 APPR: RDEROSS 2005/12/07	QUALITY SYMBOLS	GENERAL TOLERANCES (UNLESS SPECIFIED)	DIMENSION STYLE IN/MM	SCALE 1:1	DESIGN UNITS INCH	THIRD ANGLE PROJECTION																											
	$\nabla=0$ $\nabla=0$	<table border="1"> <thead> <tr> <th></th> <th>mm</th> <th>INCH</th> </tr> </thead> <tbody> <tr> <td>4 PLACES</td> <td>± ---</td> <td>± ---</td> </tr> <tr> <td>3 PLACES</td> <td>± ---</td> <td>± .015</td> </tr> <tr> <td>2 PLACES</td> <td>± 0.38</td> <td>± ---</td> </tr> <tr> <td>1 PLACE</td> <td>± ---</td> <td>± ---</td> </tr> </tbody> </table>		mm	INCH	4 PLACES	± ---	± ---	3 PLACES	± ---	± .015	2 PLACES	± 0.38	± ---	1 PLACE	± ---	± ---	<table border="1"> <thead> <tr> <th>DRAWN BY</th> <th>DATE</th> </tr> </thead> <tbody> <tr> <td>BRUPERT</td> <td>01/20/03</td> </tr> <tr> <th>CHECKED BY</th> <th>DATE</th> </tr> <tr> <td>JPWLICKI</td> <td>01/23/03</td> </tr> <tr> <th>APPROVED BY</th> <th>DATE</th> </tr> <tr> <td>RDEROSS</td> <td>01/25/03</td> </tr> </tbody> </table>	DRAWN BY	DATE	BRUPERT	01/20/03	CHECKED BY	DATE	JPWLICKI	01/23/03	APPROVED BY	DATE	RDEROSS	01/25/03	TITLE	6 WAY RECEPTACLE ASSEMBLY, KEY A POLARIZATION	
		mm	INCH																														
	4 PLACES	± ---	± ---																														
3 PLACES	± ---	± .015																															
2 PLACES	± 0.38	± ---																															
1 PLACE	± ---	± ---																															
DRAWN BY	DATE																																
BRUPERT	01/20/03																																
CHECKED BY	DATE																																
JPWLICKI	01/23/03																																
APPROVED BY	DATE																																
RDEROSS	01/25/03																																
DESCRIPTION	DRAFT WHERE APPLICABLE MUST REMAIN WITHIN DIMENSIONS	MATERIAL NO. SEE CHART	DOCUMENT NO. SD-19418-004	MOLEX INCORPORATED																													
REV B1		SIZE B	THIS DRAWING CONTAINS INFORMATION THAT IS PROPRIETARY TO MOLEX INCORPORATED AND SHOULD NOT BE USED WITHOUT WRITTEN PERMISSION			SHEET NO. 1 OF 1																											

9 8 7 6 5 4 3 2 1