



DC COMPONENTS CO., LTD.  
RECTIFIER SPECIALISTS

MP10005  
THRU  
MP1010

TECHNICAL SPECIFICATIONS OF SINGLE-PHASE SILICON BRIDGE RECTIFIER  
VOLTAGE RANGE - 50 to 1000 Volts  
CURRENT - 10 Amperes

FEATURES

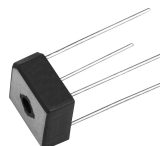
- \* Surge overload rating: 200 Amperes peak
- \* Low forward voltage drop
- \* Small size: simple installation

MECHANICAL DATA

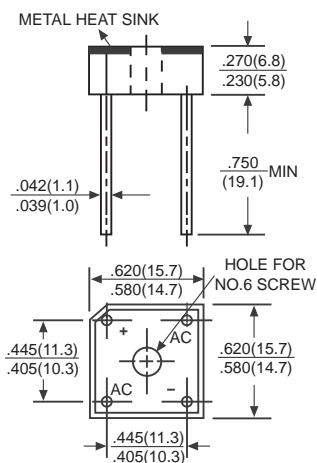
- \* Case: Moulded plastic with heatsink
- \* Epoxy: UL 94V-0 rate flame retardant
- \* Lead: MIL-STD-202E, Method 208 guaranteed
- \* Polarity: Symbols molded or marked on body
- \* Mounting position: Any
- \* Weight: 6.1 grams

MAXIMUM RATINGS AND ELECTRICAL CHARACTERISTICS

Ratings at 25°C ambient temperature unless otherwise specified.  
Single phase, half wave, 60Hz, resistive or inductive load.  
For capacitive load, derate current by 20%.



MP-6



Dimensions in inches and (millimeters)

	SYMBOL	MP10005	MP1001	MP1002	MP1004	MP1006	MP1008	MP1010	UNITS
Maximum Recurrent Peak Reverse Voltage	V <sub>RRM</sub>	50	100	200	400	600	800	1000	Volts
Maximum RMS Bridge Input Voltage	V <sub>RMS</sub>	35	70	140	280	420	560	700	Volts
Maximum DC Blocking Voltage	V <sub>DC</sub>	50	100	200	400	600	800	1000	Volts
Maximum Average Forward Output Current at T <sub>c</sub> = 50°C	I <sub>o</sub>	10							Amps
Peak Forward Surge Current 8.3 ms single half sine-wave superimposed on rated load (JEDEC Method)	I <sub>FSM</sub>					200			Amps
Maximum Forward Voltage Drop per element at 5.0A DC	V <sub>F</sub>					1.1			Volts
Maximum DC Reverse Current at Rated DC Blocking Voltage per element	@T <sub>A</sub> = 25°C					10			μAmps
	@T <sub>c</sub> = 100°C					500			
Operating Temperature Range	T <sub>J</sub>					-55 to +125			°C
Storage Temperature Range	T <sub>STG</sub>					-55 to +150			°C

# RATING AND CHARACTERISTIC CURVES (MP10005 THRU MP1010)

FIG. 1 - MAXIMUM NON-REPETITIVE FORWARD SURGE CURRENT

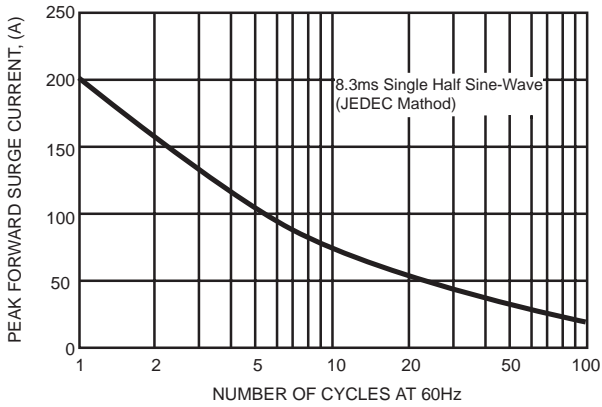


FIG. 2 - TYPICAL FORWARD CURRENT DERATING CURVE

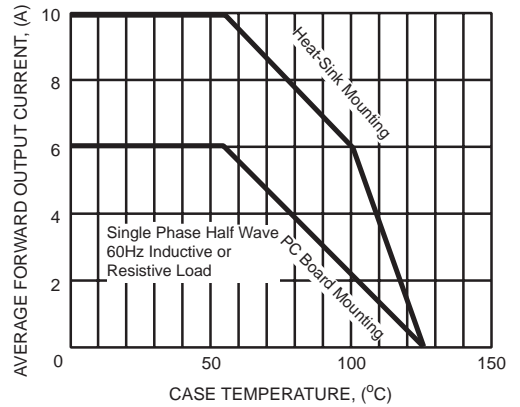


FIG. 3 - TYPICAL INSTANTANEOUS FORWARD CHARACTERISTICS

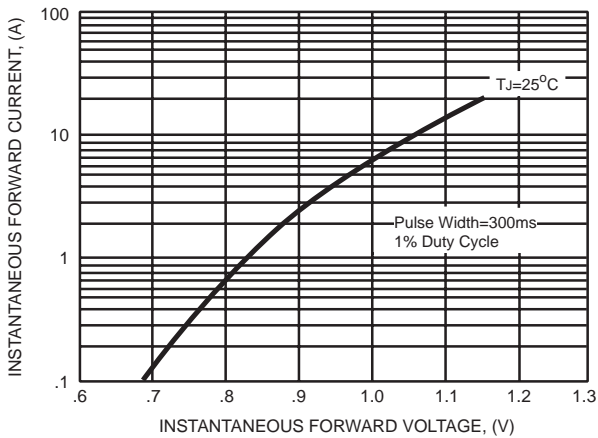


FIG. 4 - TYPICAL REVERSE CHARACTERISTICS

